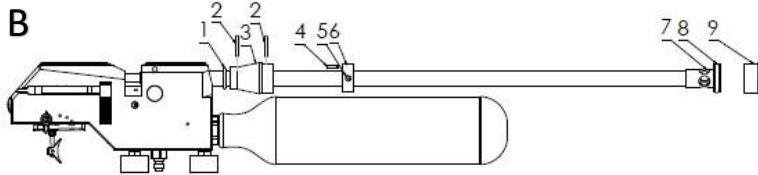


Model	Other model names	Date	Revision	Revision date
FX Crown		2018-06-19	EN.19.01	2019-03-18

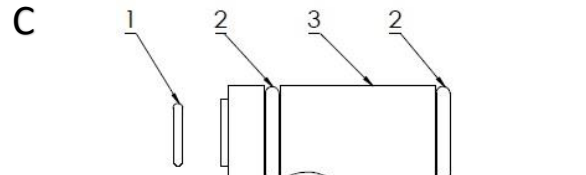
A



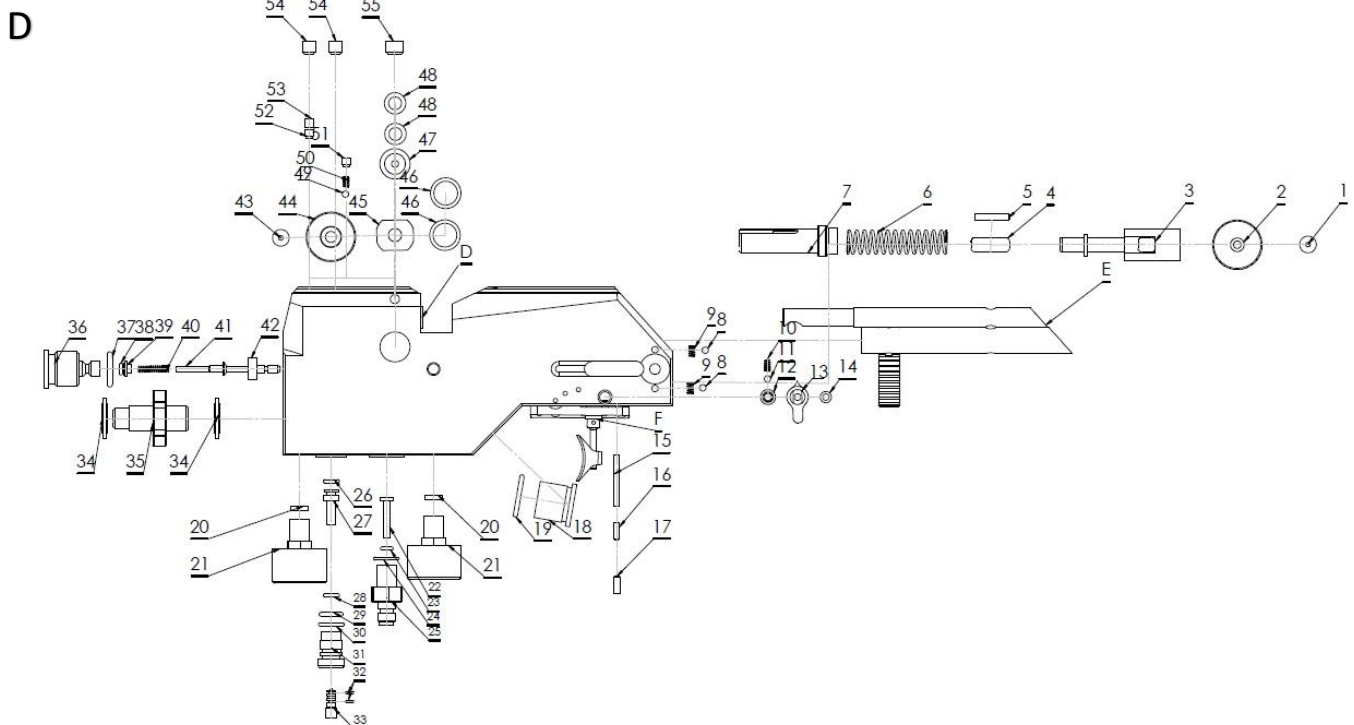
B



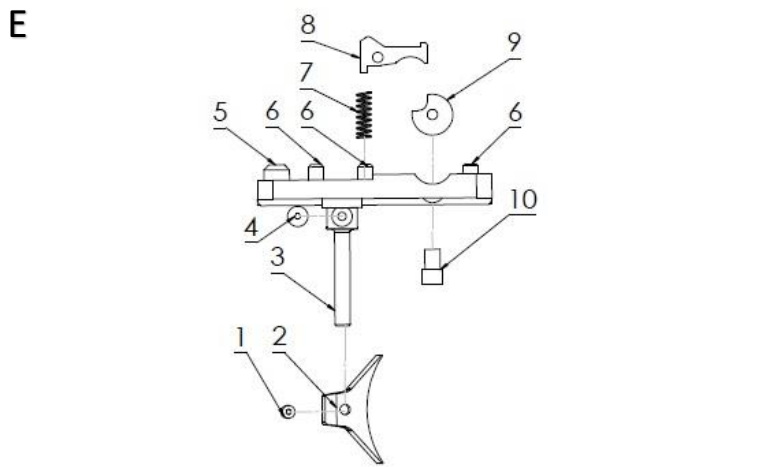
C



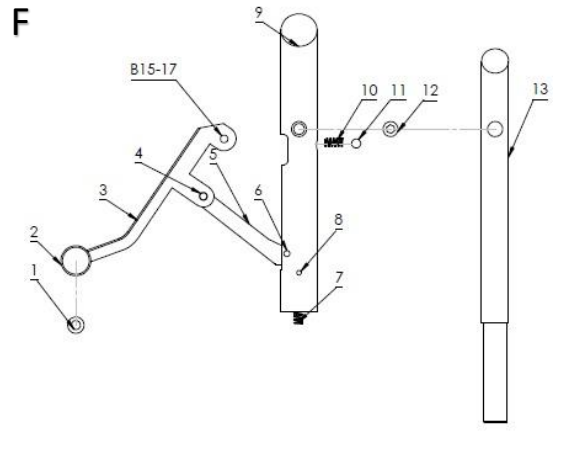
D



E



F



Model	Other model names	Date	Revision	Revision date
FX Crown		2018-06-19	EN.19.01	2019-03-18

NO	ART. NO	DESCRIPTION	NO	ART. NO	DESCRIPTION
A1-Walnut	19940	Crown Walnut Stock	D27	19696	Regulator Kolv
A1-Gray	19943	Crown Laminate Gray Stock	D28	19109	O-ring 4x1,5 NBR 70
A1-Green	19941	Crown Laminate Green Stock	D29	19763	O-ring 9x1,5 NBR 90
A1-Blue	19942	Crown Laminate Blue Stock	D30	4528	O-ring 7,66x1,78 NBR 70
A2	19901	Breechblock Crown	D31	19697	Regulator hus
A3-4,5 & 5,5	19142	Shroud tube 28x447mm	D32	19731	O-ring 2x1 NBR 90
A3-6,35 & 7,62	19975	Shroud tube 28x562mm	D33	19695	Regulator Screw
A4	5532	Carbon Fibre bottle Complete	D34	11507	Rubbersteel washer M12
B1	12045	O-ring 13.95x2.62 NBR 70	D35	19659	Bottle adapter
B2	12045	O-ring 13.95x2.62 NBR 70	D36	19905	Valvehouse crown
B3	19925	Shroud-cone Crown	D37	5109	O-ring 11,6x2,4 NBR 70
B4	11509	CPK 3h6x10	D38	5111	O-ring 2,5x1,5 NBR 90
B5	11201	Grubscrw M5x4	D39	19038	Springseat
B6	19926	Shroudstop Crown	D40	2525	Spring 0,6x4x15
B7	19911	Shroud compensator 5,5	D41	19929	Valvepin Crown CPL
B7	19912	Shroud compensator 6,35	D42	19217	Valveseat CPL
B7	19913	Shroud compensator 7,62	D43	16104	Countersunk screw M4x14
B8	19951	O-ring 18x3,5 NBR 70	D44	19915	Power adjuster house
B9-4.5 & 5.5	19654	Muzzle 4,5 & 5,5	D45	19923	Poweradjuster outer crown
B9- 6.35	19655	Muzzle 6,35	D46	19081	O-ring 11,1x1,6 NBR 70
B9- 7.62	19656	Muzzle 7,62	D47	19922	Power adjuster inner Crown
C1- 4.5	2529	O-ring 4,3 x 1,5 NBR 70	D48	19228	O-ring 6x2 NBR 70
C1- 5.5	19726	O-ring 5,5 x 1,5 NBR 70	D49	4066	Steel Ball 3mm
C1- 6.35	4526	O-ring 6,4 x 1,3 NBR 70	D50	11501	Spring 0,5x2,5x6,1
C1- 7.62	19726	O-ring 7,5 x 1,5 NBR 70	D51	2637	Grub screw M4x6 tapp
C2	19703	O-ring 10x2 NBR 70	D52	2637	Grub screw M4x6 tapp
C3	19628	Barrel inlet 4,5	D53	2637	Grub screw M4x6 tapp
C3	19629	Barrel inlet 5,5	D54	19846	Grub screw M6x6
C3	19670	Barrel inlet 6,35	D55	19955	Grub screw M8x6
C3	19671	Barrel inlet 7,62	E1	12035	Grub screw M2.5x2.5
D1	2508	Countersunk screw M3x10	E2	19136	Triggerblade
D2	19908	Power adjuster Crown	E3	19137	Triggerpin
D3	19902	Springholder Crown	E4	19178	MC6s M2x4
D4	19909	Hammer adjuster	E5	11015	Trigger Screw M5, Second stage
D5	19683	Grubscrw M3x18	E6	19678	Grub screw M3x6
D6	11500	Hammerspring v2	E7	11544	1st stage spring
D7	19039	Hammer v7	E8	19934	Trigger sear Crown
D8	11501	Spring 0,5x2,5x6,1	E9	11525	Trigger roll
D9	4066	Steelball 3mm	E10	19927	Screw trigger roll
D10	11501	Spring 0,5x2,5x6,1	F1	19682	Screw M3x16
D11	4066	Steelball 3mm	F2	19611	Reloading handle
D12	19907	Safety Crown	F3	19638	Reloading arm
D13	19906	Safetyflag Crown	F4	19026	CPK 2.5m6x6
D14	11546	MC6S M3x14	F5	19935	Linkage Crown
D15	1501	CPK 2,5m6x24	F6	19601	CPK 2h6x6
D16	19026	CPK 2,5m6x6	F7	11544	Spring 0,75x5x20
D17	11508	Grub screw M3x10	F8	11509	CPK 3h6x10
D18	19904	Plugg M18x1	F9	19921	Carrier
D19	19950	O-ring 14x2 NBR 70	F10	11503	Spring 0,5x2,5x4,4
D20	19723	Plastic washer	F11	4066	Steelball 3mm
D21	11505	Manometer	F12	19914	Feedingpin Screw
D22	19329	Checkvalve rod "gold"	F13-4.5	19917	Feedingpin 4,5 Crown
D23	5111	O-ring 2.5x1.5 NBR 90	F13-5.5	19918	Feedingpin 5,5 Crown
D24	16028	O-ring 12x1 NBR 70	F13-6.35	19919	Feedingpin 6,35 Crown
D25	19939	Quick connector Crown	F13-7.62	19920	Feedingpin Crown 7,62
D26	19109	O-ring 4x1,5 NBR 70			