

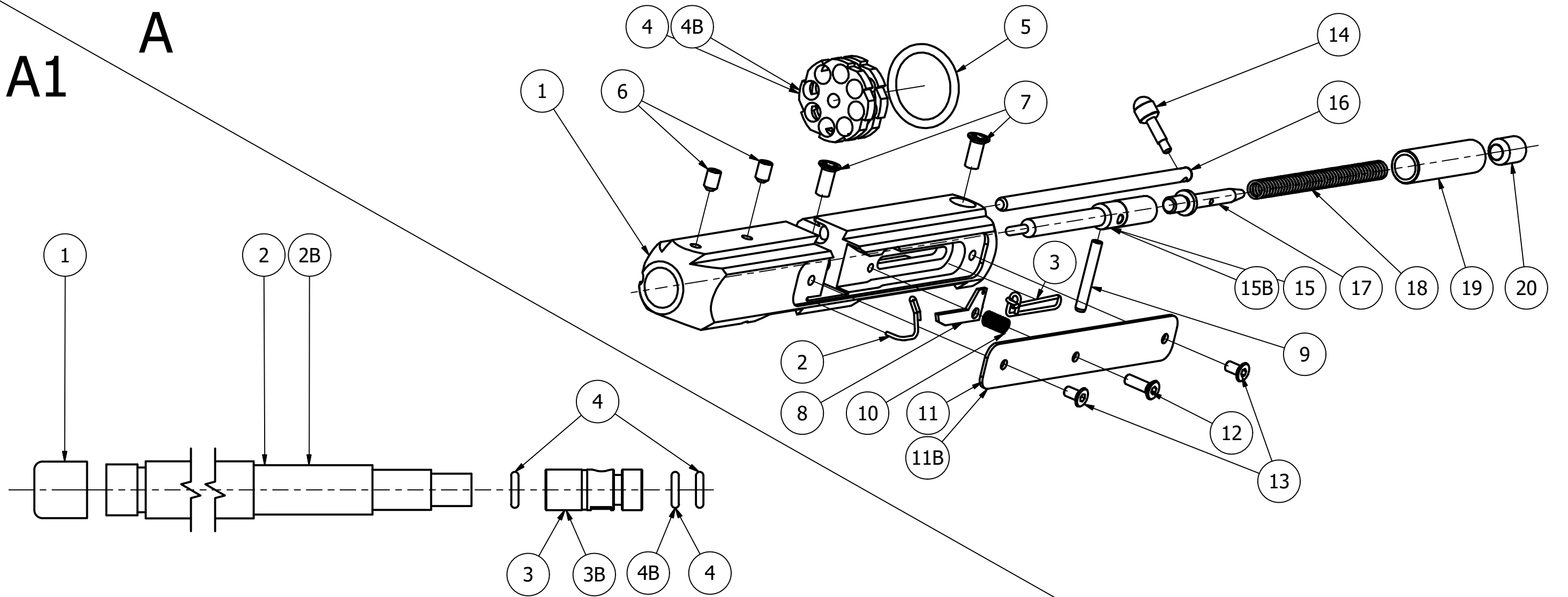
FX Airguns

Cutlas

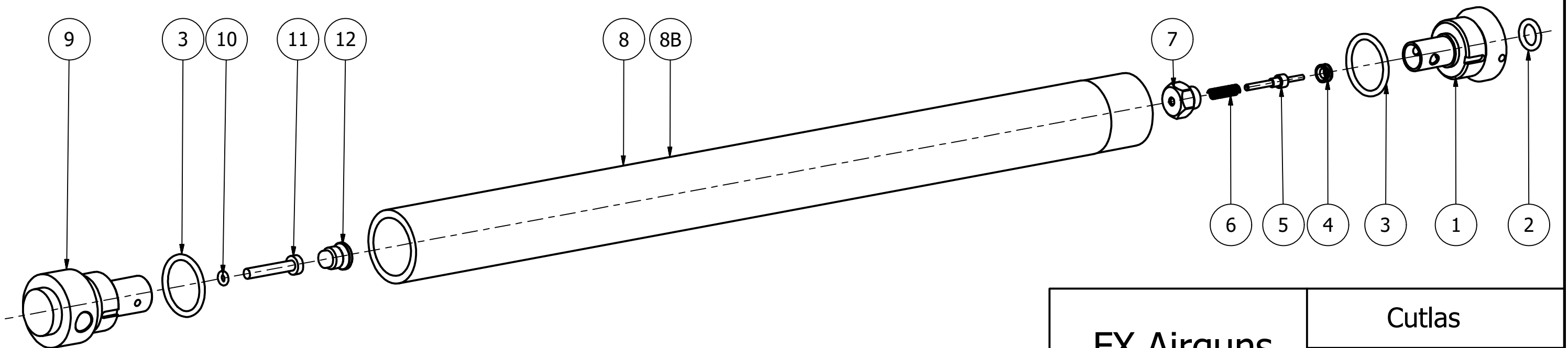
Rev 1

Sheet
1 / 5

A1 **A**



B



FX Airguns

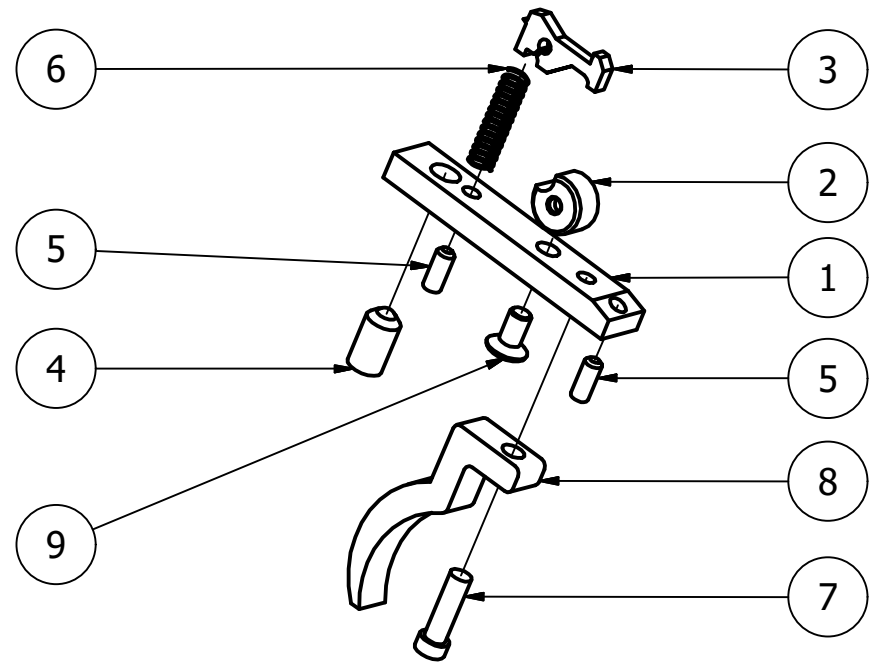
Cutlas

Rev 1

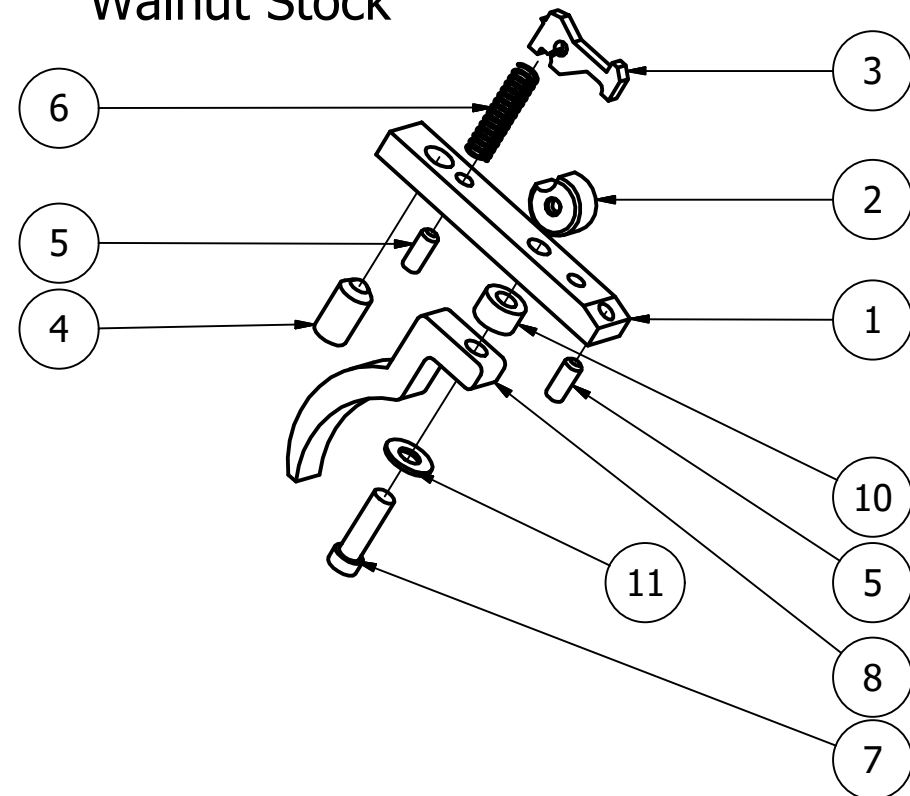
Sheet
2 / 5

D

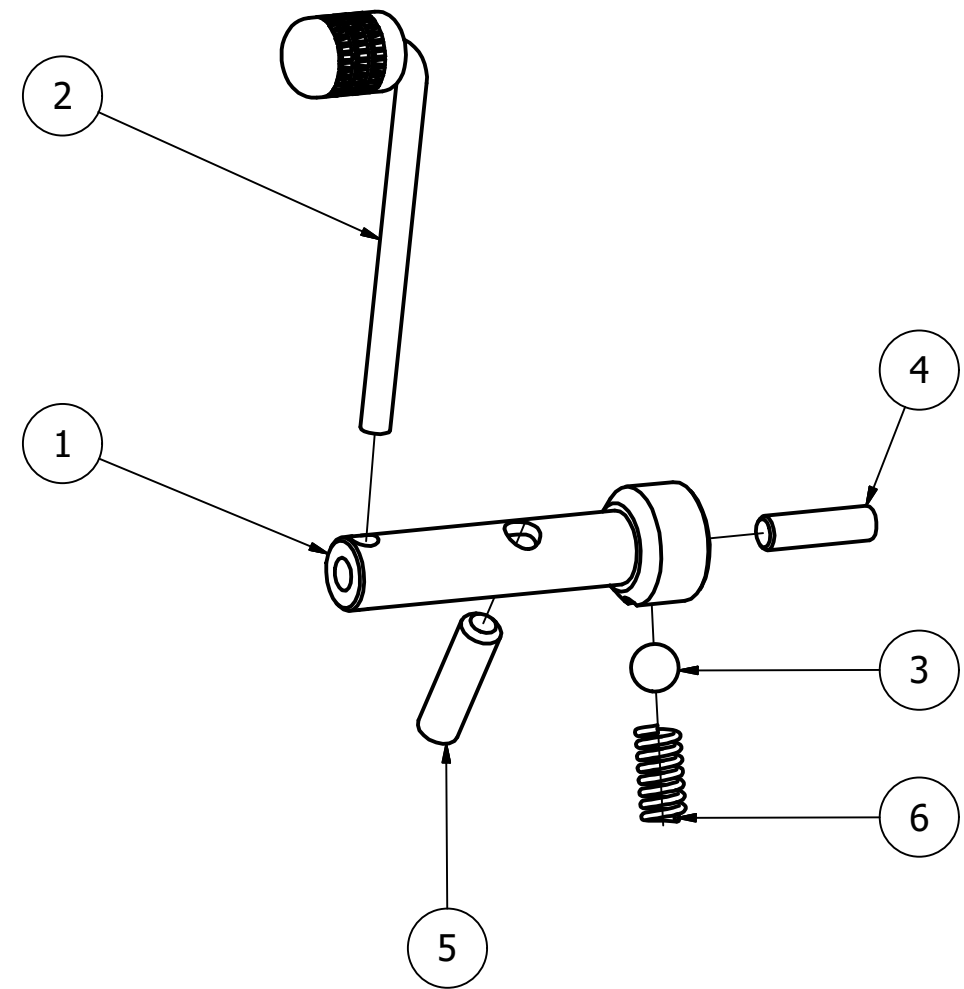
Synthetic Stock



Walnut Stock



E



FX Airguns

Cutlas

Rev 1

Sheet
4 / 5

A - Feeding House				A1 - Barrel				C - Main Block			
Product ID	ITEM	QTY	PART NUMBER	PRODUCT ID	ITEM	QTY	PART NAME	PRODUCT ID	ITEM	QTY	PART NAME
11045	1	1	Feeding House	12028	1	1	Muzzle End Cap 14mm	11044	1	1	Main Body
2029	2	1	Magazine Stop	12030	2	1	Barrel .177 14mm	7044	2	1	Valve Seat Complete
11516	3	1	Index Lever Connector	12006	2B	1	Barrel .22 - 14mm	7018	3	1	Valve Pin V2 Complete
12023	4	1	Magazine .177	2056	3	1	Brass Barrel Inlet	11627	4	1	Spring 0,6x4x20 HV
11050	4B	1	Magazine .22	5112	4	3	O-ring 5,28 x 1,78 NBR 70	11507	5	1	Rubber/Steel washer
5101	5	1	O-ring 20 x 2,5 NBR 70	2529	4B	1	O-ring 4,3 x 1,5 NBR 70 (.177)	11032	6	1	Air Cylinder Connector
2501	6	2	Grub Screw M4x6	B - Air Cylinder				11506	7	2	Socket head cap screw M3x30
11511	7	2	Countersunk Screw M4x8 Torx					5005	8	1	Plastic Washer 2mm 1/8"
11541	8	1	Index Lever	PRODUCT ID	ITEM	QTY	PART NAME	11505	9	1	Preassure Gauge 25mm 1/8"
11514	9	1	Cylindrical Pin 3m6x22	11035	1	1	Air Cylinder End (Brass)	11502	10	3	Cylindrical Pin 2h6x20
2520	10	1	Fjäder 0,5x4x7	5105	2	1	O-ring 9,3 x 2,4 NBR90	11626	11	1	Spacer 4,8
12023	11	1	Sideplate .177	11624	3	2	O-ring 22 x 2,5 NBR 70	1504	12	1	O-ring 4,42 x 2,62 NBR 70
11521	11B	1	Sideplate .22	7044	4	1	Valve Seat Complete	11623	13	1	O-ring 4,42 x 2,62 NBR 90
2508	12	1	Screw M3x10	7018	5	1	Valve PIn Air Tube Complete	11536	14	1	Airsleeve 4,6
2504	13	2	Screw M3x6	2525	6	1	Spring 0,6x4x15	11023	15	1	Hammer
11644	14	1	Magazine Pin Knob	11013	7	1	Valve Pin Nut	11500	16	1	Hammer Spring
11048	15	1	Pellet Prod .177	11024	8	1	Air Cylinder 330mm	11540	17	1	Hammer Weight
11025	15B	1	Pellet Prod .22	11535	8B	1	Air Cylinder 400mm	11030	18	1	Hammer Spring Adjuster .177
13002	16	1	Magazine Pin	11029	9	1	Air Cylinder End Inlet	11541	18B	1	Hammer Spring Adjuster .22
11042	17	1	Spring Guide M5	5107	10	1	O-ring 2,9 x 1,78 PUR 90	11509	19	2	Cylindrical Pin 3h6x10
12005	18	1	Spring 0,75 x 4 x 65	11615	11	1	High Performance Inlet Valve	11503	20	2	Spring 0,5x2,5x4,4
11512	19	1	Brass Cap M8	19035	12	1	Plug 1/8"	11547	21	1	Steel Ball 3.5
11532	20	1	Grub Screw M8x10	E - Safety				11034	22	1	Sidelever
D - Trigger								PRODUCT ID	ITEM	QTY	PART NAME
				11524	1	1	Trigger Base	11027	1	1	Safety Pivot
11525	2	1	Trigger Wheel	11625	2	1	Safetylever With Knob	12028	25	1	Sidelever Bearing
11031	3	1	Trigger Sear	11527	3	1	Steel Ball 3.175	11016	26	1	Sidelever Handle
11015	4	1	Trigger Adjust Screw M5	11633	4	1	Grub Screw M2,5x8	11018	27	1	Sidelever Washer
2504	5	2	Grub Screw M3x6	11508	5	1	Grub Screw M3x10	2527	28	1	Screw M3x10
11504	6	1	Spring 0,32x3,2x14,4	11501	6	1	Spring 0,5x2,5x6,1 Sä-Sp	5112	29	4	O-ring 5,28 x 1,78 PUR 70
2527	7	1	Screw M3x10	Stock Options				1504	29B	1	O-ring 4,42 x 2,62 NBR 70
2020	8	1	Trigger Blade					PRODUCT ID	PART NAME	<div style="display: flex; justify-content: space-between; align-items: center;"> <div style="text-align: center;"> <h2>FX Airguns</h2> </div> <div style="text-align: center;"> <h2>Cutlas</h2> </div> </div>	
2504	9	1	Screw M3x6	11534	Synthetic Stock						
2063	10	1	Trigger Spacer	12603	Walnut Stock						
11531	11	1	Washer M3						Rev 1	Sheet 5 / 5	