

FX Airguns

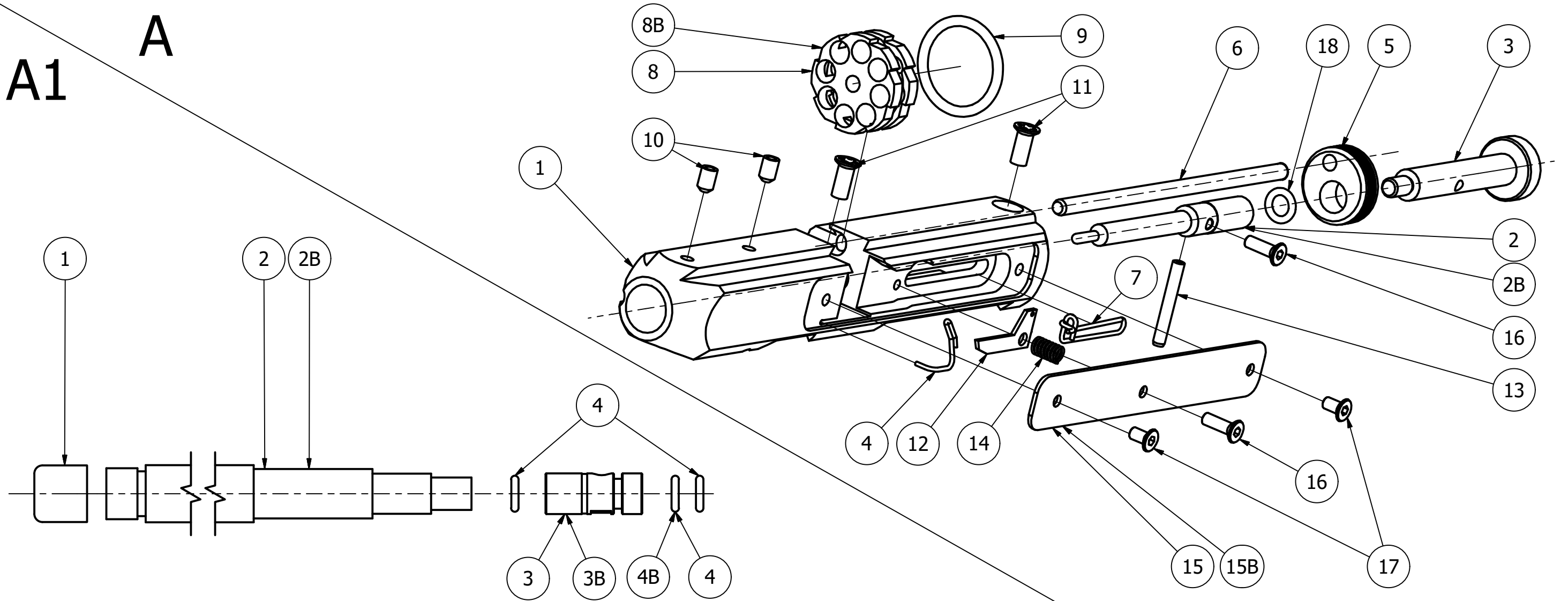
Cyclone

Rev 1

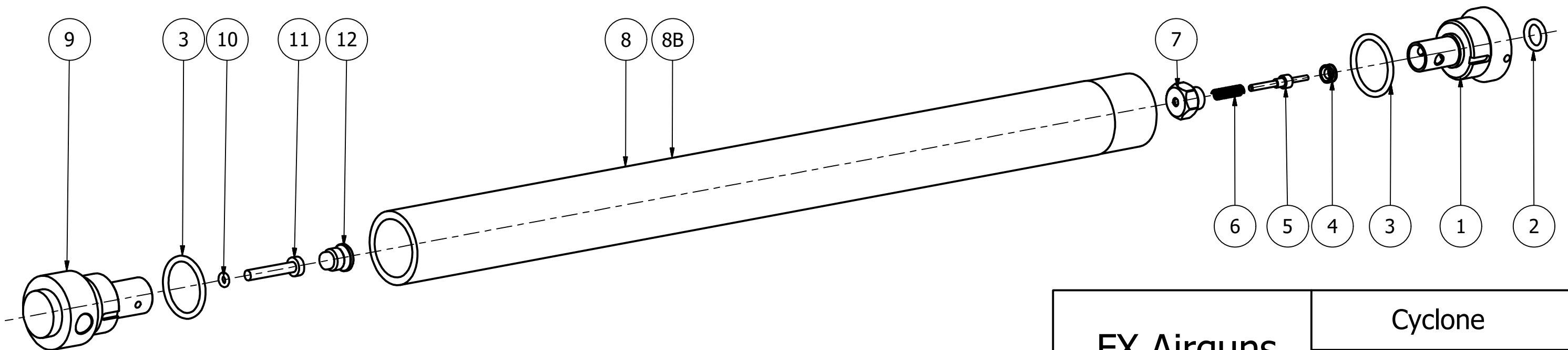
Sheet
1 / 5

A1

A



B



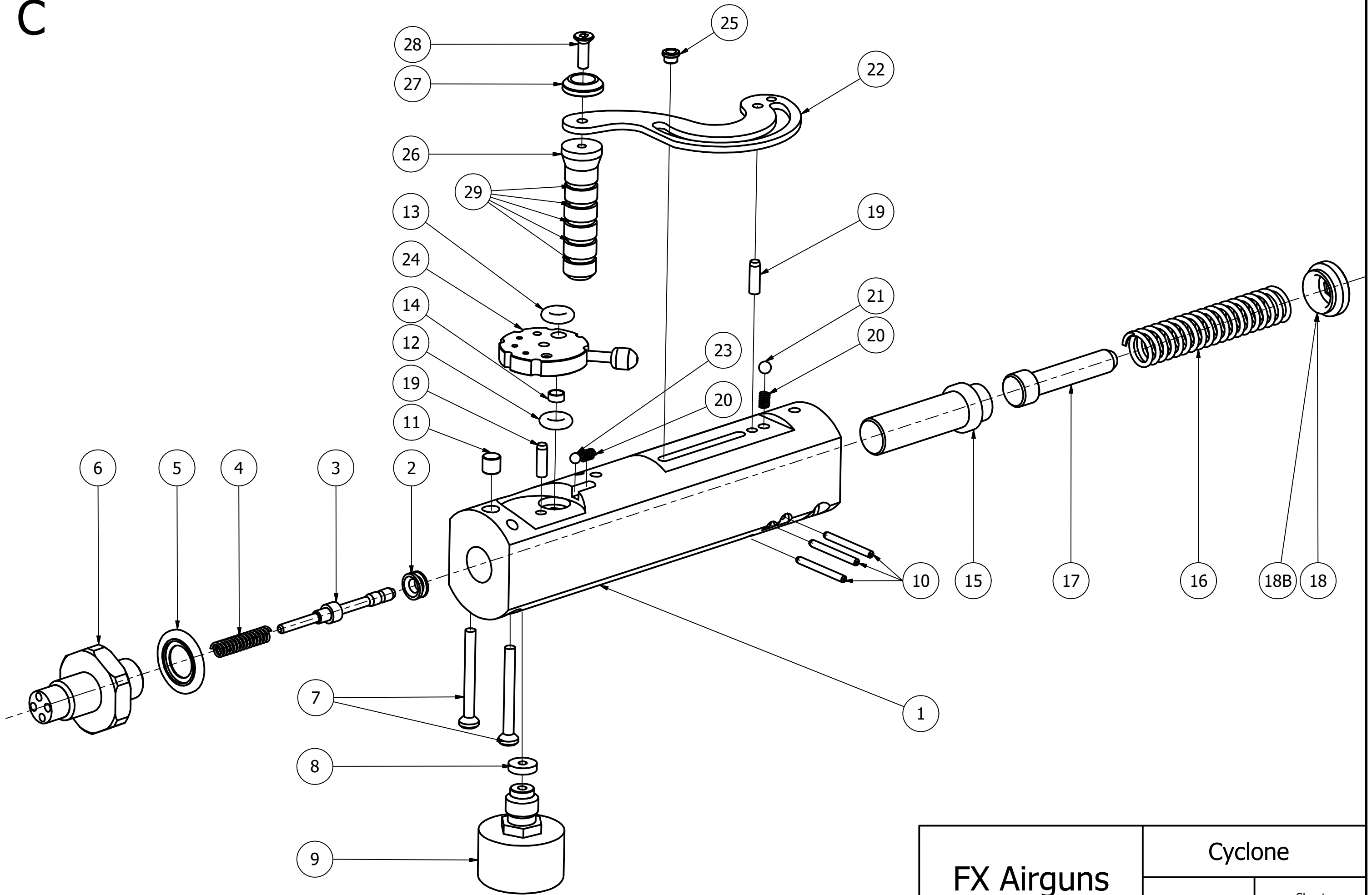
FX Airguns

Cyclone

Rev 1

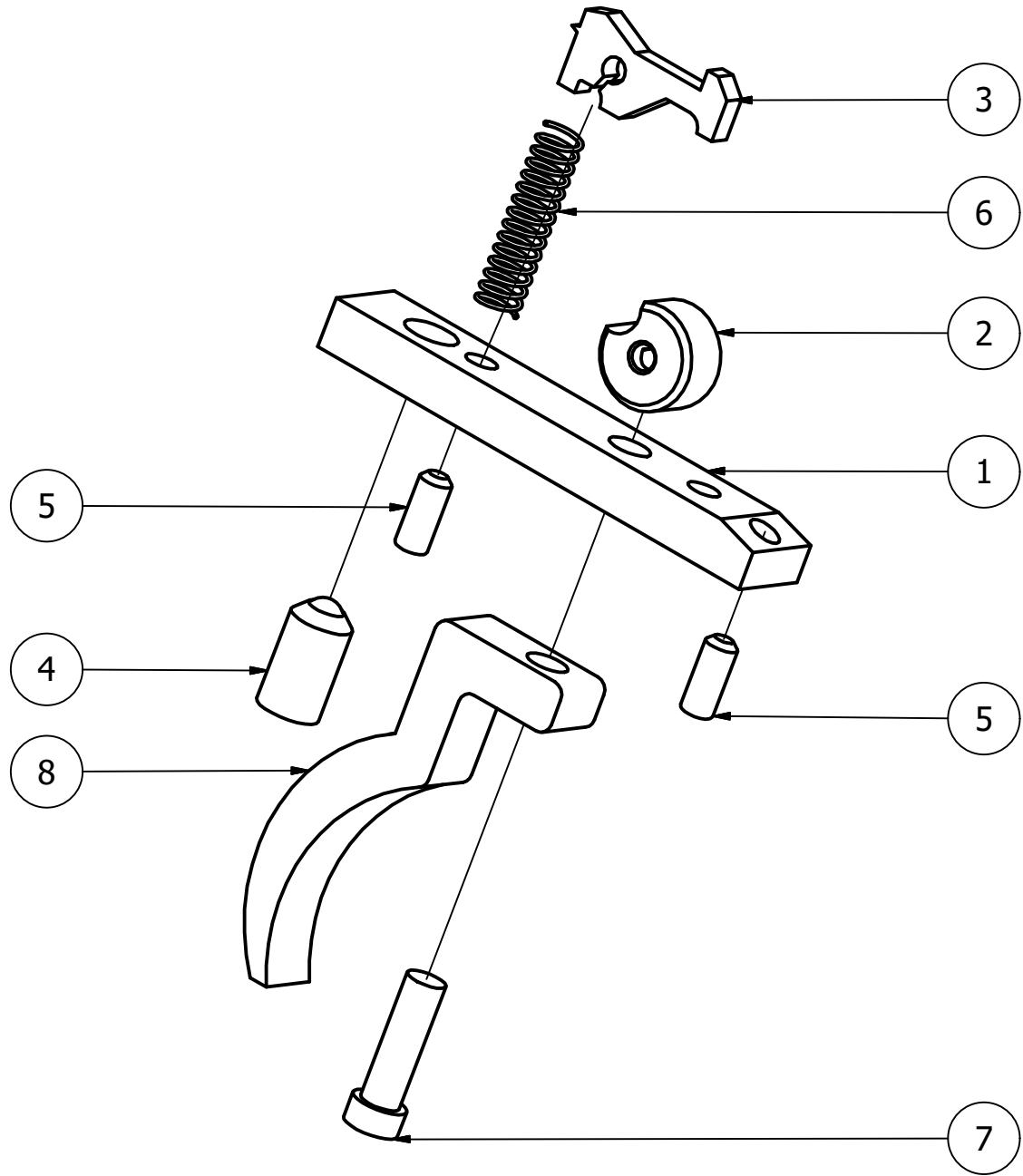
Sheet
2 / 5

C

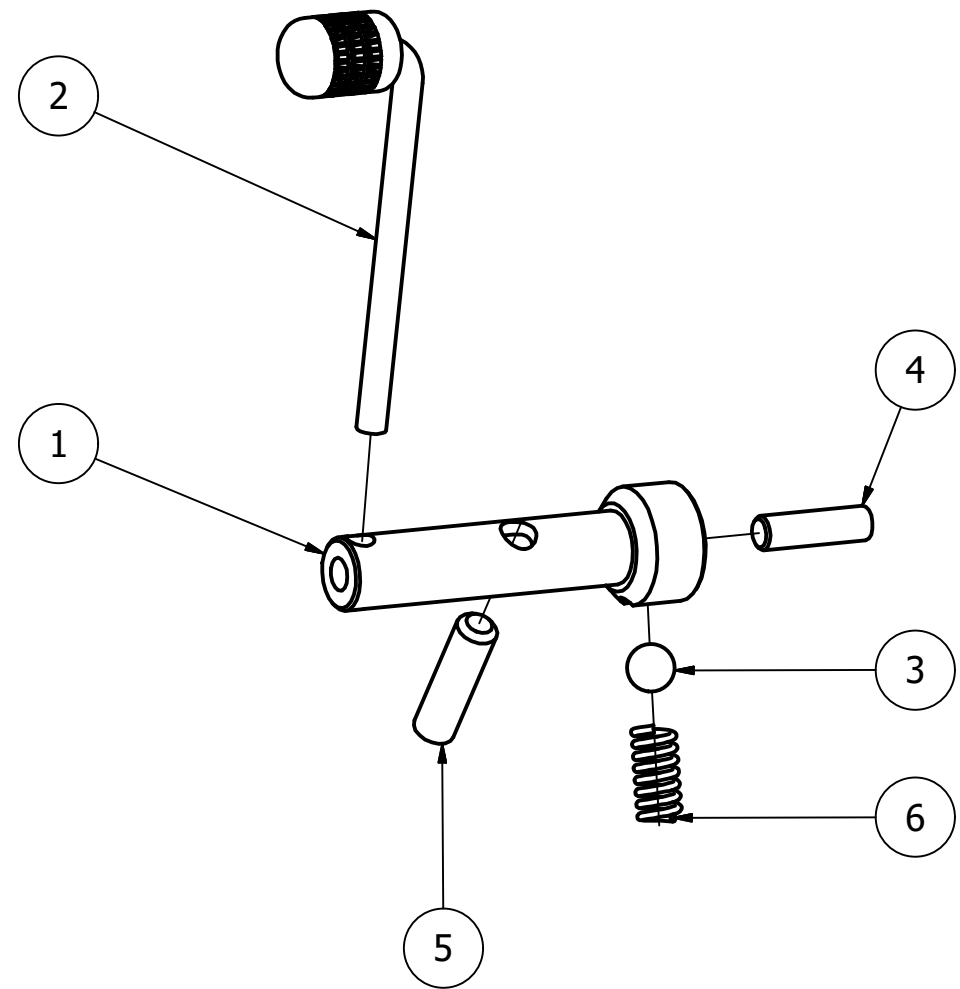


FX Airguns	Cyclone	
	Rev 1	Sheet 3 / 5

D



E



FX Airguns

Cyclone

Rev 1

Sheet
4 / 5

A - Barrel Housing				A1 - Barrel				C - Main Block			
PRODUCT ID	ITEM	QTY	PART NAME	PRODUCT ID	ITEM	QTY	PART NAME	PRODUCT ID	ITEM	QTY	PART NAME
11045	1	1	Feeding House	12028	1	1	Muzzle End Cap 14mm	11044	1	1	Main Body
11048	2	1	Pellet Prod .177	12030	2	1	Barrel .177 14mm	7044	2	1	Valve Seat Complete
11025	2B	1	Pellet Prod .22	12006	2B	1	Barrel .22 - 14mm	7018	3	1	Valve Pin V2 Complete
11012	3	1	Thumb Return Screw	2056	3	1	Brass Barrel Inlet	11627	4	1	Spring 0,6x4x20 HV
2029	4	1	Magazine Stop	5112	4	3	O-ring 5,28 x 1,78 NBR 70	11507	5	1	Rubber/Steel washer
11004	5	1	Magazine Release Grip	2529	4B	1	O-ring 4,3 x 1,5 NBR 70 (.177)	11032	6	1	Air Cylinder Connector
11022	6	1	Magazine Pin	B - Air Cylinder				11506	7	2	Socket head cap screw M3x30
11516	7	1	Index Lever Connector					5005	8	1	Plastic Washer 2mm 1/8"
11051	8	1	Magazine .177	PRODUCT ID	ITEM	QTY	PART NAME	11505	9	1	Preassure Gauge 25mm 1/8"
11050	8B	1	Magazine .22	11035	1	1	Air Cylinder End (Brass)	11502	10	3	Cylindrical Pin 2h6x20
5101	9	1	O-ring 20 x 2,5 NBR 70	5105	2	1	O-ring 9,3 x 2,4 NBR90	11626	11	1	Spacer 4,8
2501	10	2	Grub Screw M4x6	11624	3	2	O-ring 22 x 2,5 NBR 70	1504	12	1	O-ring 4,42 x 2,62 NBR 70
11511	11	2	Countersunk Screw M4x8 Torx	7044	4	1	Valve Seat Complete	11623	13	1	O-ring 4,42 x 2,62 NBR 90
11541	12	1	Index Lever	7018	5	1	Valve PIn Air Tube Complete	11536	14	1	Airsleeve 4,6
11514	13	1	Cylindrical Pin 3m6x22	2525	6	1	Spring 0,6x4x15	11023	15	1	Hammer
2520	14	1	Spring 0,5x4x7	11013	7	1	Valve Pin Nut	11500	16	1	Hammer Spring
12023	15	1	Sideplate FX Cyclone .177	11024	8	1	Air Cylinder 330mm	11540	17	1	Hammer Weight
11521	15B	1	Sideplate FX Cyclone .22	11535	8B	1	Air Cylinder 400mm	11030	18	1	Hammer Spring Adjuster .177
2508	16	2	Screw M3x10	11029	9	1	Air Cylinder End Inlet	11541	18B	1	Hammer Spring Adjuster .22
2504	17	2	Screw M3x6	5107	10	1	O-ring 2,9 x 1,78 PUR 90	11509	19	2	Cylindrical Pin 3h6x10
5108	18	1	O-ring 5,28 x 1,78 PUR 70	11615	11	1	High Performance Inlet Valve	11503	20	2	Spring 0,5x2,5x4,4
D - Trigger				11615	11	1	High Performance Inlet Valve	11547	21	1	Steel Ball 3.5
				19035	12	1	Plug 1/8"	11033	22	1	Sidelever
PRODUCT ID	ITEM	QTY	PART NAME	E - Safety				4066	23	1	Steel Ball 3.0
11524	1	1	Trigger Base	PRODUCT ID	ITEM	QTY	PART NAME	11020	24	1	power adjuster
11525	2	1	Trigger Wheel	11027	1	1	Safety Pivot	12028	25	1	Sidelever Bearing
11031	3	1	Trigger Sear	11625	2	1	Safetylever With Knob	11016	26	1	Sidelever Handle
11015	4	1	Trigger Adjust Screw M5	11527	3	1	Steel Ball 3.175	11018	27	1	Sidelever Washer
2504	5	2	Grub Screw M3x6	11633	4	1	Grub Screw M2,5x8	2527	28	1	Screw M3x10
11504	6	1	Spring 0,32x3,2x14,4 v2.3	11508	5	1	Grub Screw M3x10	5112	29	5	O-ring 5,28 x 1,78 PUR 70
2527	7	1	Screw M3x10	11501	6	1	Spring 0,5x2,5x6,1 Sä-Sp				
2020	8	1	Trigger Blade								

Stock Options	
PRODUCT ID	PART NAME
11534	Synthetic Stock
12603	Walnut Stock

FX Airguns	Cyclone	
	Rev 1	Sheet 5 / 5