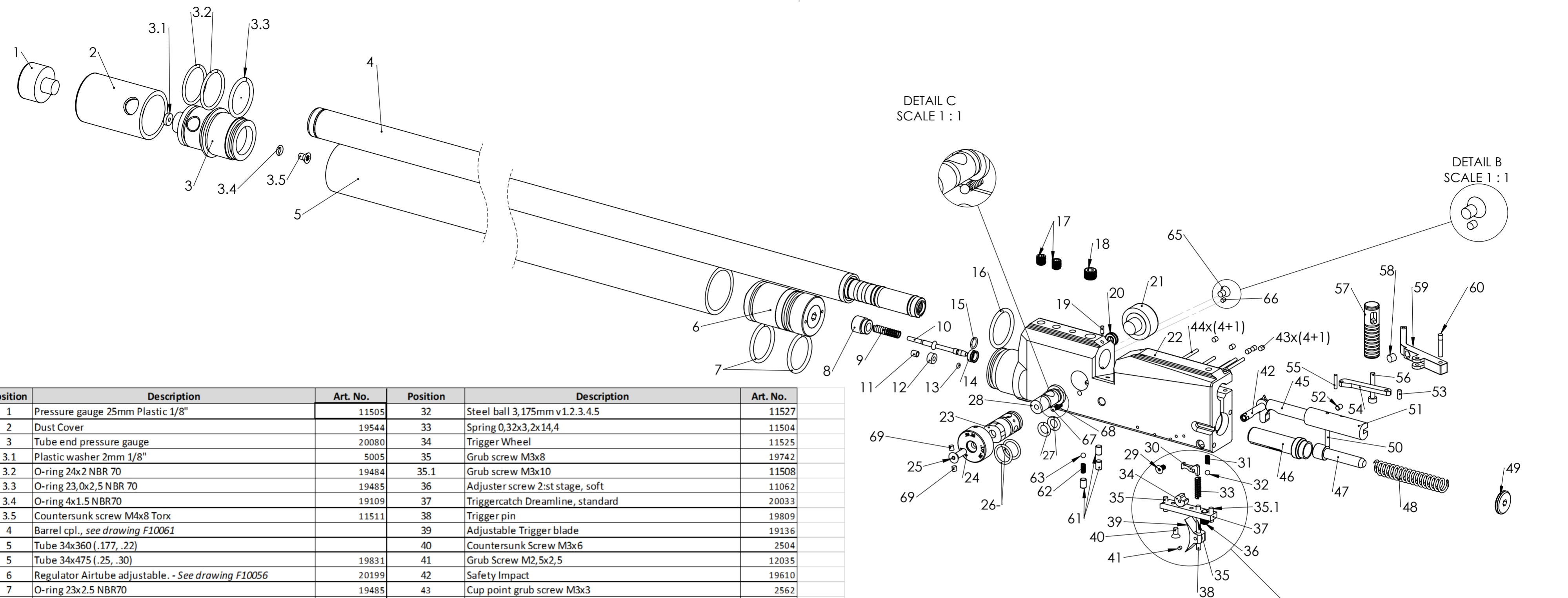
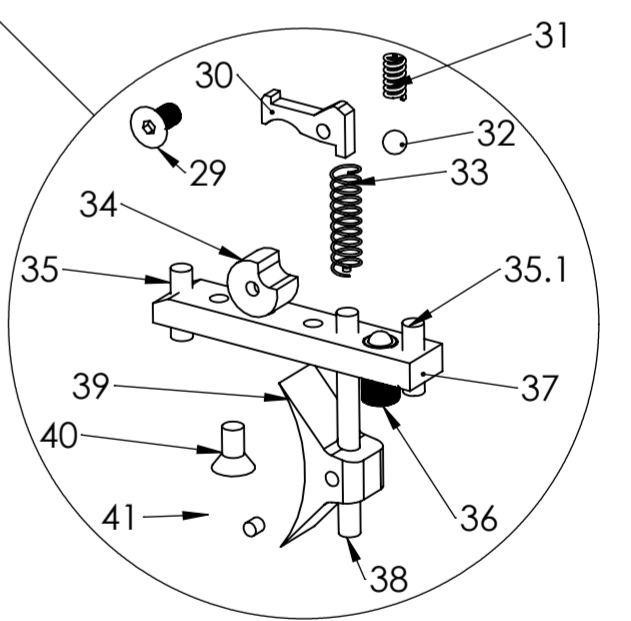


12 11 10 9 8 7 6 5 4 3 2 1

H
G
F
E
D
C
B
A



Position	Description	Art. No.	Position	Description	Art. No.
1	Pressure gauge 25mm Plastic 1/8"	11505	32	Steel ball 3,175mm v1.2.3.4.5	11527
2	Dust Cover	19544	33	Spring 0,32x3,2x14,4	11504
3	Tube end pressure gauge	20080	34	Trigger Wheel	11525
3.1	Plastic washer 2mm 1/8"	5005	35	Grub screw M3x8	19742
3.2	O-ring 24x2 NBR 70	19484	35.1	Grub screw M3x10	11508
3.3	O-ring 23,0x2,5 NBR 70	19485	36	Adjuster screw 2:st stage, soft	11062
3.4	O-ring 4x1.5 NBR70	19109	37	Triggercatch Dreamline, standard	20033
3.5	Countersunk screw M4x8 Torx	11511	38	Trigger pin	19809
4	Barrel cpl., see drawing F10061		39	Adjustable Trigger blade	19136
5	Tube 34x360 (.177, .22)		40	Countersunk Screw M3x6	2504
5	Tube 34x475 (.25, .30)	19831	41	Grub Screw M2,5x2,5	12035
6	Regulator Airtube adjustable. - See drawing F10056	20199	42	Safety Impact	19610
7	O-ring 23x2.5 NBR70	19485	43	Cup point grub screw M3x3	2562
8	Valve holder Dreamline	20037	44	Cylindrical pin 2h6x20	11502
9	Spring 0,5x4x20	19850	45	Pellet probe Dreamline .177	20060
10	Valve Pin Dreamline	20036	45	Pellet probe Dreamline .22	20061
11	Holder Valve seal	2041	45	Pellet probe Dreamline .25	20062
12	Gasket SHP	19058	45	Pellet probe Dreamline .30	20063
13	O-ring 1,5 x 1,0 NBR 70	2528	46	Hammer V7	19039
14	Valveseat SHP	19059	47	Hammer weight cal. .177	19215
15	O-ring 6x1 NBR 90	19061	47	Hammer weight addition cal. .177	18041
16	O-ring 23x2.5 NBR70	19485	47	Hammer Weight cal. .22, .25, .30	17003
17	Grub screw M6x6	19846	48	Hammer spring V2	11500
18	Grub screw M8x6	19955	49	Hammer spring adjuster (only on Classic model)	11541
19	Cylindrical pin 2h6x6	19601	50	Cylindrical pin 3h6x20	11510
20	X-ring 3,63x2,62 NBR 70	19762	51	Carrier Dreamline	20058
21	Pressure gauge 23mm Main block Dreamline,	19772	52	Grub screw M3x4	16092
22	Until serial no. 190310 use art.no. 20020 Power adjuster, outer,	20126	53	Cylindrical pin 2.5m6x6	19026
23	Until serial no. 190310 use art.no. 20034 Power adjuster Crown,	20125	54	Linkage Crown	19935
24	Until serial no. 190310 use art.no. 19915 Countersunk screw M4x14	20123	55	Cylindrical pin 2h6x10	19213
25	Countersunk screw M4x14	16104	56	Socket head cap screw MC65 M3X18	11060
26	O-ring 11.1x1.6 NBR90 (2st)	19081	57	Side lever handle handle B2-WC-IM	19611
27	O-ring 5,5 x 1,5 NBR 70 Power adjuster inner, Crown,	19726	58	Magnet 5x4mm	20055
28	Until serial no. 190310 use art.no. 19922 Countersunk screw M3x6	20124	59	Side lever Dreamline	20064
30	Trigger sear V7,8,12	19177	60	Screw M3 (special)	19034
31	Spring 0,5x2,5x6,1	11501	61	Grub screw M4x6 flat, until ser. No. 190310	2637
			62	Spring 0,5x2,5x6,1 ... until ser. No. 190310	11501
			63	Steel ball 3mm, until ser. No. 190310	4066
			64	Magasin Crown	
			65	Countersunk screw M4x6, after ser. no. 190310	5208
			66	Grub screw M3x3, after ser. no. 190310	2562
			67	Steel ball 3mm, after ser. No. 190310	4066
			68	Spring 0,5x2,5x6,1 ... after ser. No. 190310	11501
			69	Grub screw M3x3, after ser. no. 190310	2562



DETAIL A
SCALE 1 : 1

TITLE: Dreamline Basic

MATERIAL:						DWG NO.	ART NO.	A2
DRAWN	NAME	DATE	CHANGE DATE			F10057	ART NO.	
REVISION A				SCALE:1:2	SHEET 1 OF 1			

12 11 10 9 8 7 6 5 4 3 2 1