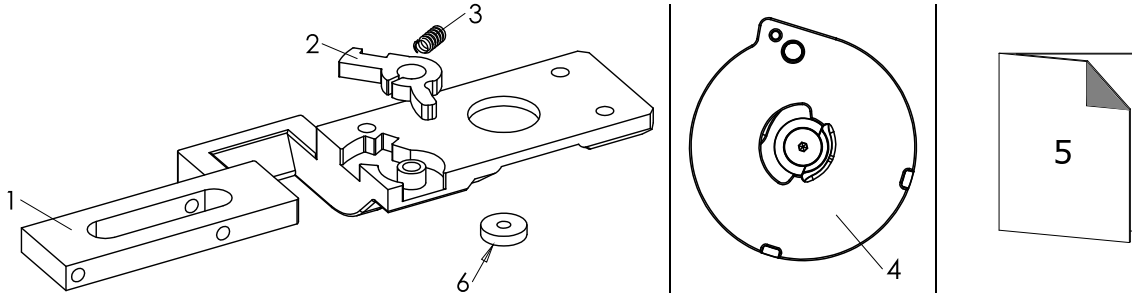


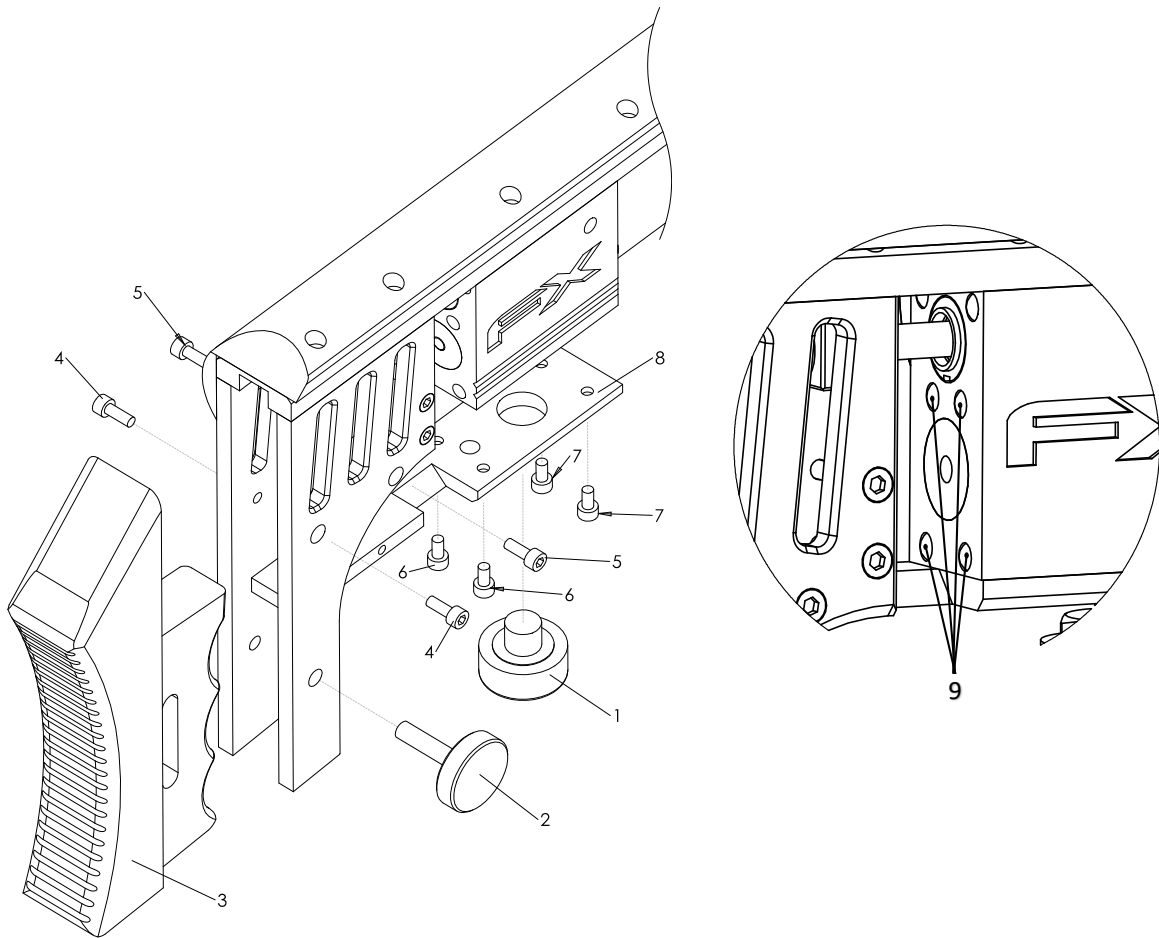
**Magazine Bracket replacement**

The package contains:



| POSITION | ARTICLE NO. | DESCRIPTION                               | QUANTITY                       |
|----------|-------------|---|--------------------------------|
| 1        | 20117       | Magazine bracket, Impact                  | 1                              |
| 2        | 20116       | Locking arm Magazine bracket              | 1                              |
| 3        | 16093       | Spring 0.3x2x10                           | 1                              |
| 4        | -           | Magazine FX, Side-Shot                    | 1                              |
| 5        | 19785       | User manual, Magazine Bracket replacement | 1                              |
| 6        | 19723-1     | Plastic washer                            | 1 <i>(Optional to replace)</i> |

**Magazine Bracket replacement**



**WARNING!** Unscrew and remove the air bottle and make sure the rifle is drained of air! Both of pressure gauges must be on zero air pressure!

1 - Unscrew and remove Pressure Gauge (*position 1*)

2 - Unscrew and remove Shoulder-pad Adjuster Screw (*position 2*) and remove Recoil-Pad (*position 3*)

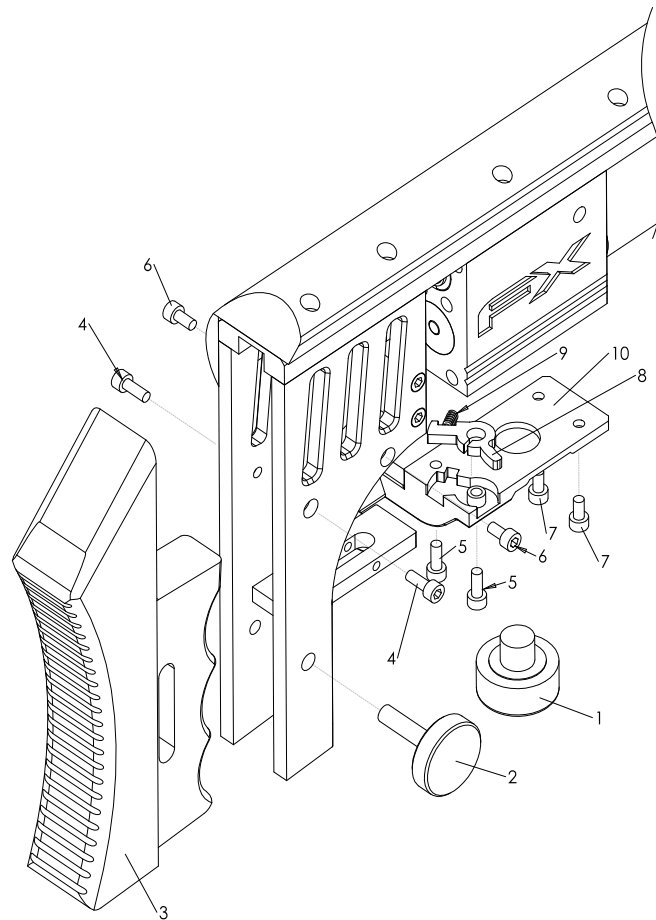
3 - Unscrew and remove the screws (*positions 4 and 5*), Screw M4x8

4 - Unscrew and remove the screws (*positions 6 and 7*), Screw M4x6

5 - Lift of plate holder (*position 8*)

6 - Remove four rubber balls (*position 9*)

**Magazine Bracket replacement**



**WARNING!** Unscrew and remove the air bottle and make sure the rifle is drained of air! Both of pressure gauges must be on zero air pressure!

1 - Put locking arm (*position 8*) and Spring (*position 9*) on the place in magazine bracket (*position 10*)

2 - Place magazine bracket, with locking arm and spring, on the place between Impact plates

3 - Fix the magazine bracket (*10*) with screws M4x6 (*position 7*)

4 - Fix the magazine bracket (*10*) with screws M4x8 (*position 5*)

5 - Fix the magazine bracket (*10*) with screws M4x6 (*position 6*)

6 - Fix the magazine bracket (*10*) with screws M4x8 (*position 4*)

7 - Put the Recoil-Pad (*position 3*) on the place and fix it with Shoulder-pad Adjuster Screw (*position 2*)

8 - Put the Pressure Gauge (*position 1*) on the place and tighten normally.

9 - Screw the air bottle on the rifle and fill with air

10 – Check the pressure gauge for the leaks, if it leaks tighten it slightly. (*Replace to the new plastic washer, below the pressure gauge, ONLY if the pressure gauge is not holding tight!*)

