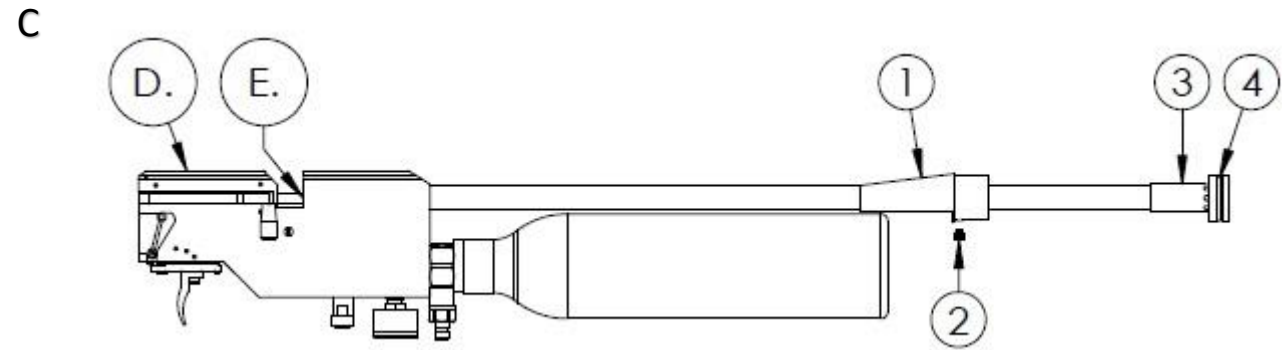
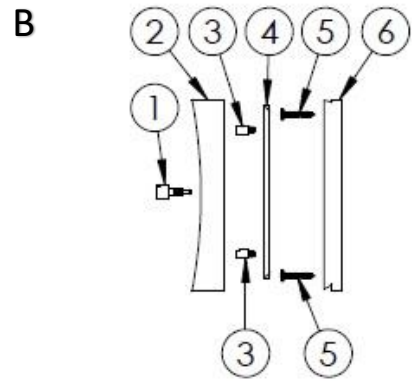
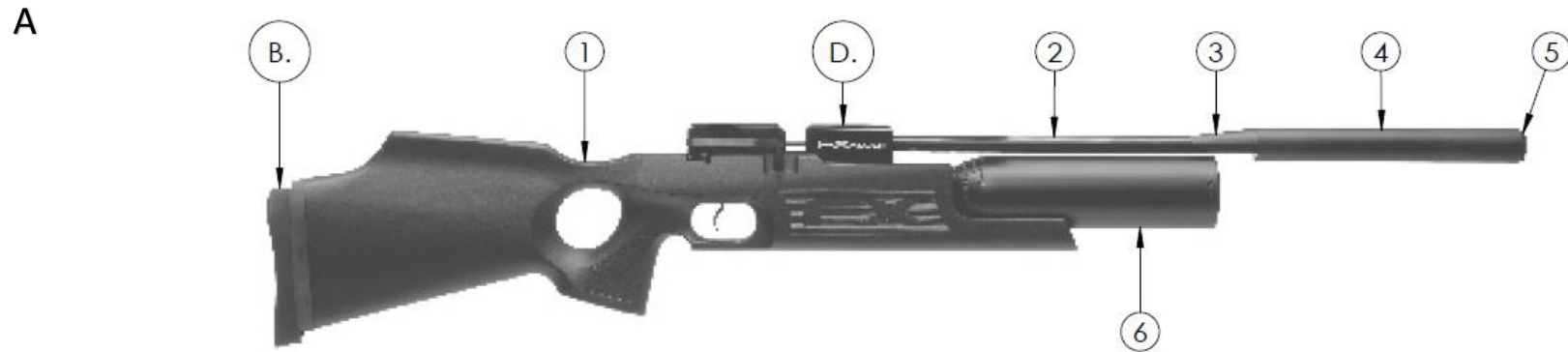
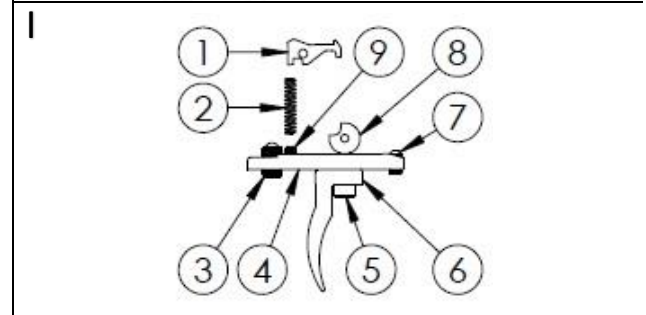
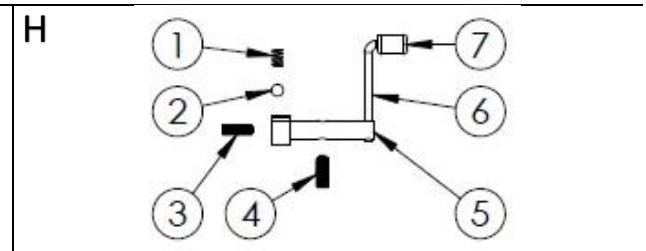
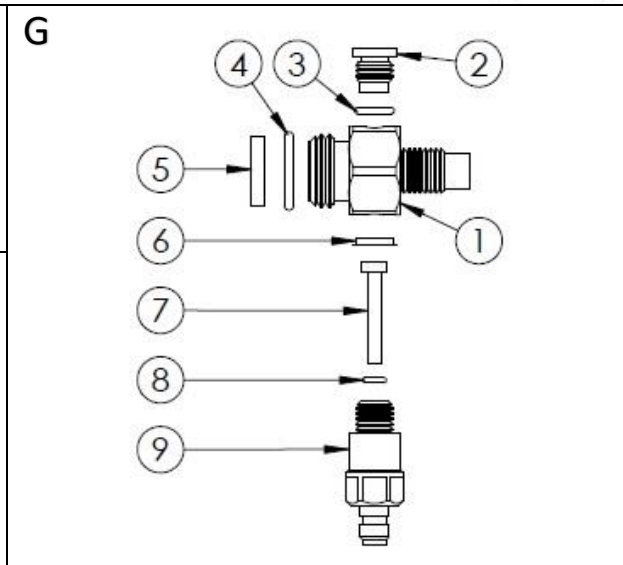
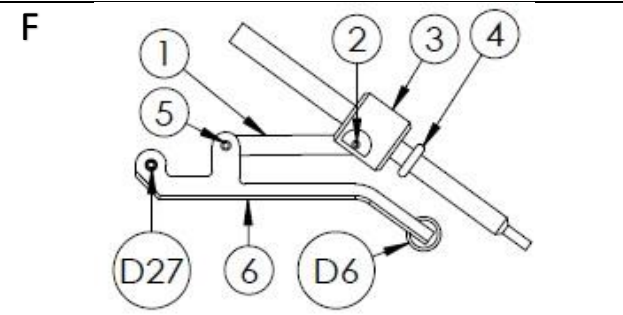
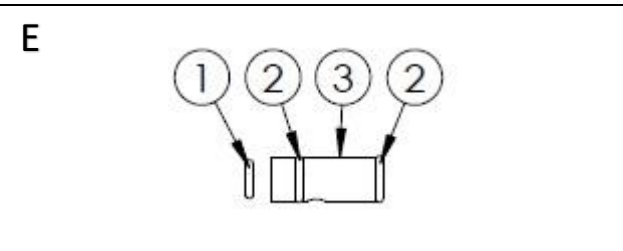
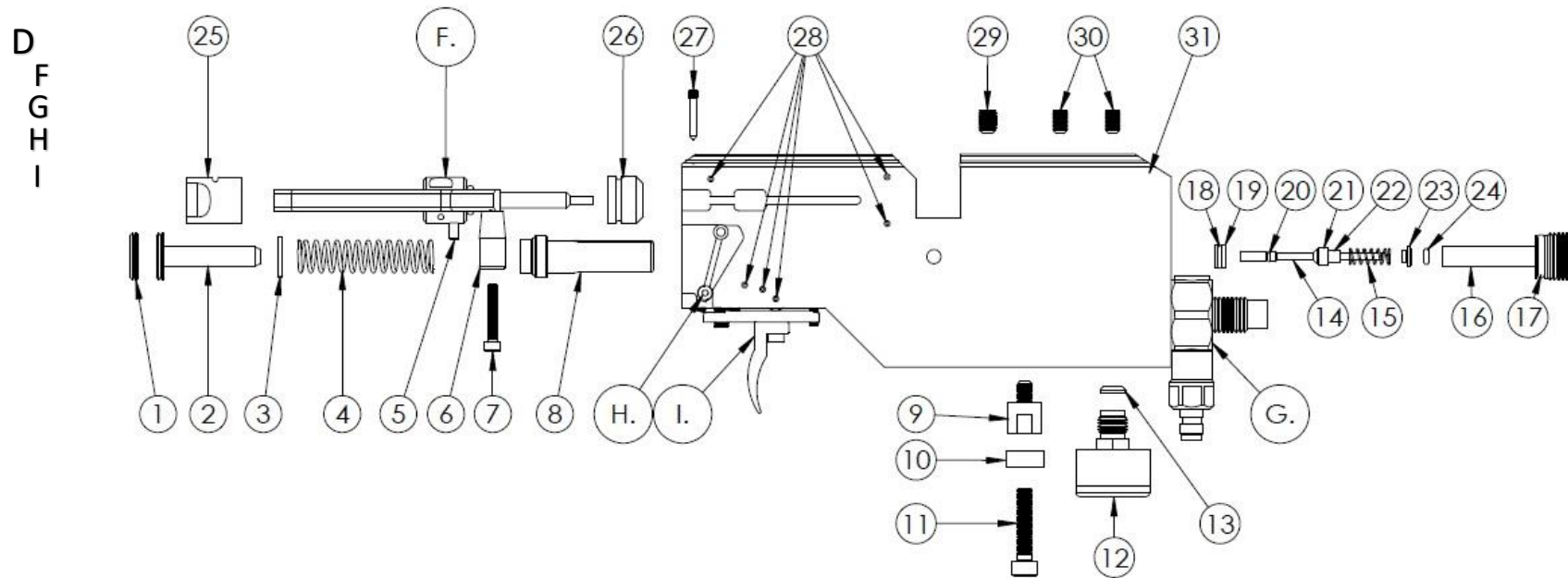


Model	Other model names	Date	Revision	Revision date
FX Royale 400 (R4) – 500 (R5)		2018-06-21	EN.19.01	2019-06-27



Model	Other model names	Date	Revision	Revision date
FX Royale 400 (R4) – 500 (R5)		2018-06-21	EN.19.01	2019-06-27



Model	Other model names	Date	Revision	Revision date
FX Royale 400 (R4) – 500 (R5)		2018-06-21	EN.19.01	2019-06-27

Description: X = Not shown in drawing / HP = High-power / LP = Low-power / ST = Smoothtwist / LW = Lothar Walther / W =Walnut / S = Synthetic

NO	ART. NO	DESCRIPTION	NO	ART. NO	DESCRIPTION	NO	ART. NO	DESCRIPTION
A1 – S	19018	Synthetic Stock	D11 - S	4509	Screw M5x20	F2	19042	Pivot Pin 2x8
A1 – W	19017	Walnut Stock	D12	11505	Manometer	F3 – 4,5	19011	Pelletprobe
A2 - 4,5	12030	Barrel 4,5	D13	5005	Plastic Washer	F3 – 5,5	19010	Pelletprobe
A2 - 5,5	12006	Barrel 5,5	D14	19022	Valvepin	F3 – 6,35	19010+19102	Pelletprobe
A2 - 6,35	19106	Barrel 6,35	D14	7015	Valvepin Complete	F4	1504	O-ring 4,42x2,62 NBR70
A3	19032	Shroud Cone	D15	2525	Spring 0,6x4x15	F5	19026	Pivot Pin 2,5x6
A4 - R4	19023	Shroud Royale 400	D16 LP	19009	Valve Suporter M16	F6	19020	Sidelever
A4 - R5	19099	Shroud Royale 500	D16 HP	19009-1	Valve Suporter M16	G1	19008	Tube Receiver M20
A5 - 4,5	17023	Muzzle 4,5	D17	5105	O-ring 9,3x2,4 NBR90	G2	19035	Plug 1/8"
A5 - 5,5	17000	Muzzle 5,5	D18	2023	Valveseat	G3	4528	O-ring 7,66x1,78NBR70
A5 - 6,35	19112	Muzzle 6,35	D18	7044	Valveseat Complete	G4	19088	O-ring 15,88x2,62 NBR90
A6 - R4	0219	Airbottle 400cc	D19	2529	O-ring 4,3x1,5 NBR70	G5	19036	Seal 18,9
A6 - R5	0315	Airbottle 500cc	D20	2528	O-ring 1,5x1 NBR70	G6	19030	Delrin Seal
B1-6	16051	Recoilpad	D21	2040	Valve seal	G7	19005	Inlet Valve
C1	19032	Shroud Cone	D22	2041	Valve seal holder	G8	5107	O-ring 2,9x1,78 PUR90
C2	19114	Grub Screw M5x6	D23 HP	19038	Springseat	G9	19062	Quick Connector male
C3 - 4,5	19028	Compensator 1/2"	D24 HP	5111	O-ring 2,5x1,5 NBR90	H1	11503	Spring 0,5x2,5x4,4
C3 - 5,5	19028-1	Compensator 1/2"	D25	19029	Pelletprobeguide rear	H2	4066	Steelball 3mm
C3 - 6,35	19028-2	Compensator 1/2"	D26 – 4,5	19013	Pelletprobeguide front	H3	11633	Grub Screw M2,5x8
C4	19098	O-ring 18x4 NBR90	D26 - 5,5	19012	Pelletprobeguide front	H4	11508	Grub Screw M3x10
D1 - Only UK	16043	Anti Tamper	D26 - 6,35	19101	Pelletprobeguide front	H5	11027	Safety Pivot
D2 - 4,5	11030	Hammerspring Adjuster	D27	19034	Screw M3 "special"	H6	11625	Safety Lever
D2 - 5,5	11030	Hammerspring Adjuster	D28	19040	Pivot Pin 2x24	H7	11200	Safety Handle
D2 - 6,35	11030 > 10Joule	Hammerspring Adjuster	D29	19086	Grub Screw M6x8	I1	11031	Trigger Sear
D2 - 6,35	11541 16Joule >	Hammerspring Adjuster	D30	2534	Grub Screw M5x6	I2	11504	Spring 1:st Stage
D3	16026	Washer	D31	19003	Main Block	I3	11005	Adjuster screw 2:stage
D4	11500	Hammerspring	E1 – 4,5	2529	O-ring 4,3x1,5 NBR70	I4	11524	Trigger base
D5	11509	Pivot Pin 3x10	E1 – 5,5	5108	O-ring 5,28x1,78 PUR70	I5	2527	Screw M3x10
D6	19037	Sideleverhandle	E1 – 6,35	4526	O-ring 6,35x1,27 NBR70	I6	2020	Trigger
D7	11060	Screw M3x18	E2	5112	O-ring 5,28x1,78 NBR70	I7+I9	2500	Grub Screw M3x6
D8 - R4	19039	Hammer	E3 - 4,5 ST	2057 - 2017-1	Barrel Inlet	I8	11525	Trigger Wheel
D8 - R5	19039+11540	Hammer+Weight	E3 - 4,5 LW	2057 - 2017	Barrel Inlet			
D9	19015	Stock Attachment	E3 - 5,5 ST	2056 – 2020-1	Barrel Inlet			
D9 - X	5112	O-ring 5,28x1,78 NBR70	E3 - 5,5 LW	2056 - 2020	Barrel Inlet			
D10	16044	Stock Spacer	E3 - 6,35	19104	Barrel Inlet			
D11 - W	14500	Screw M5x16	F1	19021	Linkage			