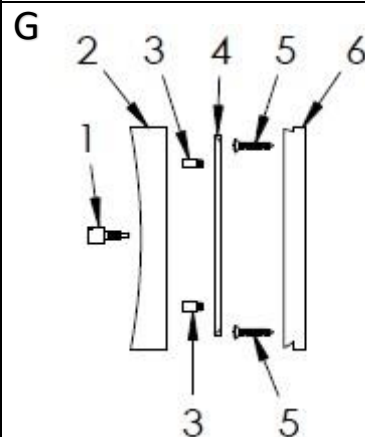
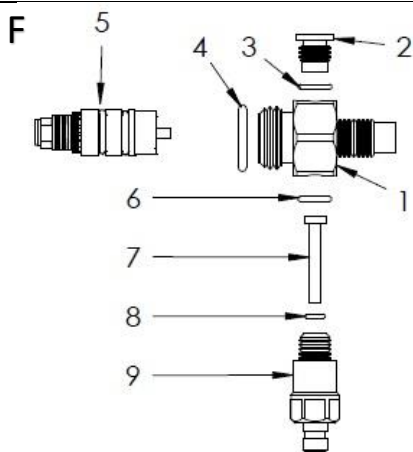
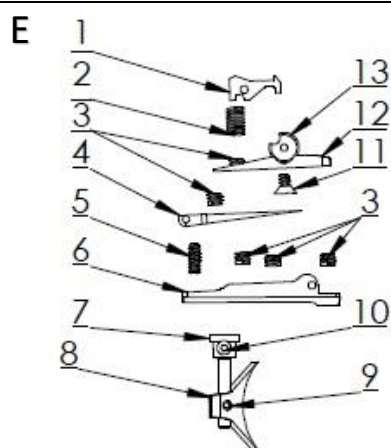
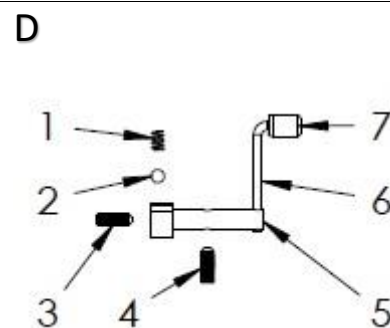
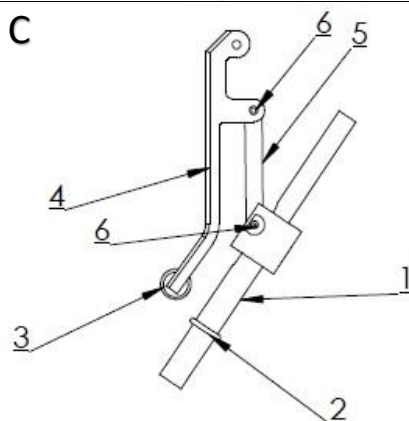
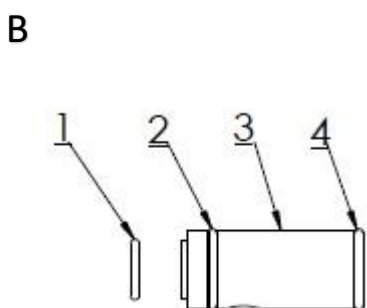
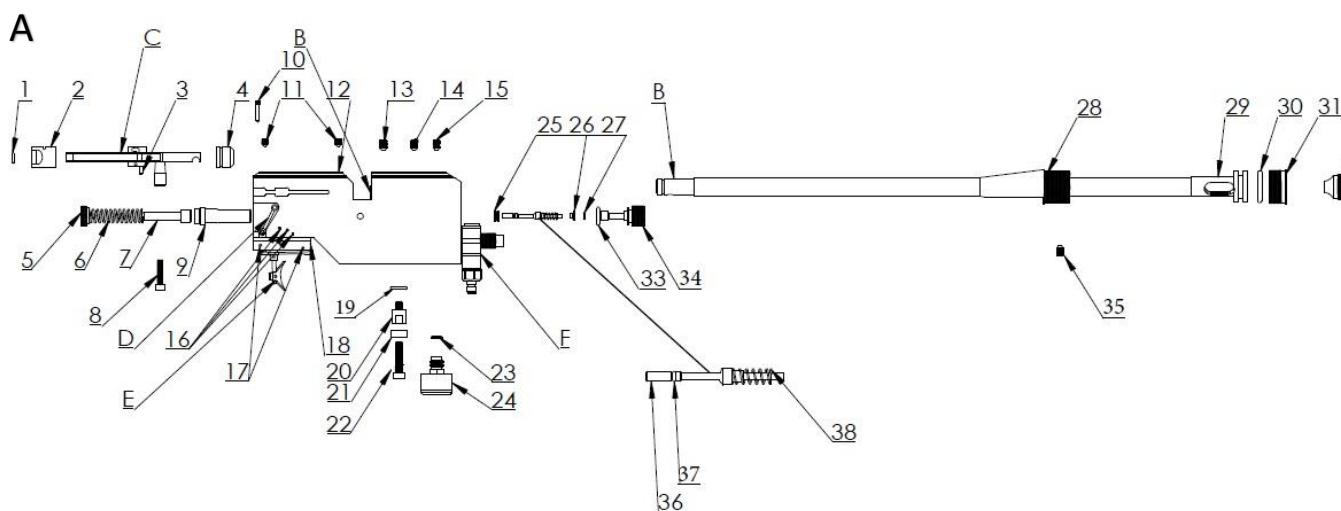


Model	Other model names	Date	Revision	Revision date
FX Boss		2018-06-19	EN.19.02	2019-07-30



Model	Other model names	Date	Revision	Revision date
FX Boss		2018-06-19	EN.19.02	2019-07-30

NO	ART. NO	DESCRIPTION	NO	ART. NO	DESCRIPTION
1	19219	Royal 400 synthetic stock	C2	19225	O-ring 7,5x2,0 NBR70
2	0315	Bottle 500cc complete	C3	19037	Sidelever handle
3	19206	Barrel .30 600mm	C4	19020	Sidelever v7
4	19099	Shroud 345mm	C5	19021	Sidelever linkage v7
A1	5108	O-ring 5,28x1,78 NBR70?	C6	19026	2,5m6x6
A2	19029	Pelletprobe guide rear v7	D1	11503	Spring 0,5x2,5x4,4
A3	11509	CPK 3h6x10	D2	11527	Steelball 3,175
A4	19211	Black plastic bushing	D3	11633	Stop screw 2,5x8
A5	11541	Hammer adjuster	D4	11508	Stop screw 3x8
A6	11500	Hammer spring	D5	11027	Safetypivot
A7	17003	Hammer weight	D6	11625	Safetylever
A8	11060	M3x18	D7	11200	Safety knob
A9	19039	Hammer v7	E1	19177	Trigger sear v7
A10	19034	Screw m3 "special"v7	E2	17046	Spring 0,5x3,5x15
A11	2534	Stop screw 5x6 with tip	E3	16092	Screw stop m3x4
A12	19126	Barrelhousing v12	E4	19168	Match trigger wedge
A13	19223	Screw stop 8x8	E5	16092	Screw stop m3x4
A14	19086	Screw stop 6x8	E6	19167	Match trigger base
A15	19086	Screw stop 6x8	E7	19137	Trigger shoe pin
A16	19040	CPK 2m6x24	E8	19136	Adjustable Trigger shoe
A17	19213	CPK 2h6x10	E9	12035	Screw stop M2,5x2,5
A18	19165	Match trigger house	E10	19178	Screw M2x4
A19	5112	O-ring 5,28x1,78 NBR 70	E11	19025	Screw M3x8
A20	19203	Stock attachement m8	E12	19166	Trigger wheel base
A21	16044	Stock spacer	E13	11525	Trigger wheel
A22	15035	Screw M5x18 (synthetic stock)	F1	19008	Tube reciever M20x1 v7
A22	14500	Screw M5x16 (laminat & walnut)	F2	19035	Plug 1/8"
A22	4535	Screw M5x14	F3	5112	O-ring 5,28x1,78 NBR90
A23	5005	Plastic washer 2mm	F4	19088	O-ring 15,88x2,62 NBR90
A24	11505	Manometer 25mm 1/8"	F5	19043	Small regulator
A25	19217	Valve seat .30	F6	4528	O-ring 7,66x1,78 NBR70
A26	19038	Springseat v7	F7	19005	Inletvalve rod "blue"
A27	5111	2,5x1,5 NBR90	F8	5107	O-ring 2,9x1,78 PUR90
A28	19032	Shroud cone	F9	19062	Quick connector male
A29	19204	Compensator	G1-6	16051	Recoildpad
A30	19098	18x4 NBR 70			
A31	18010	Muzzle thread insert			
A32	19212	Muzzle 7,62			
A33	5105	O-ring 9,3x2,4 NBR90			
A34	19009	Valve supporter			
A35	11201	Stop screw 5x4			
A36	7019	Main valve pin SHP complete			
A37	2528	O-ring 1,5x1 NBR70			
A38	2525	Spring 0,6x4x15			
B1	19209	O-ring 7,5x1,5 NBR70			
B2	19210	O-ring 11,0x1,5 NBR70			
B3	19207	Barrel inlet .30			
B4	19210	O-ring 11,0x1,5 NBR70			
C1	19200	Pelletprobe 7,62			