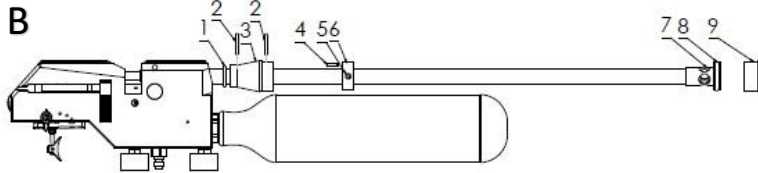


Model	Other model names	Date	Revision	Revision date
FX Crown		2018-06-19	EN.19.01	2019-08-26

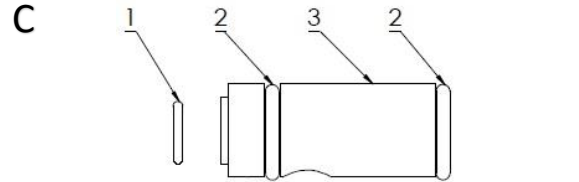
A



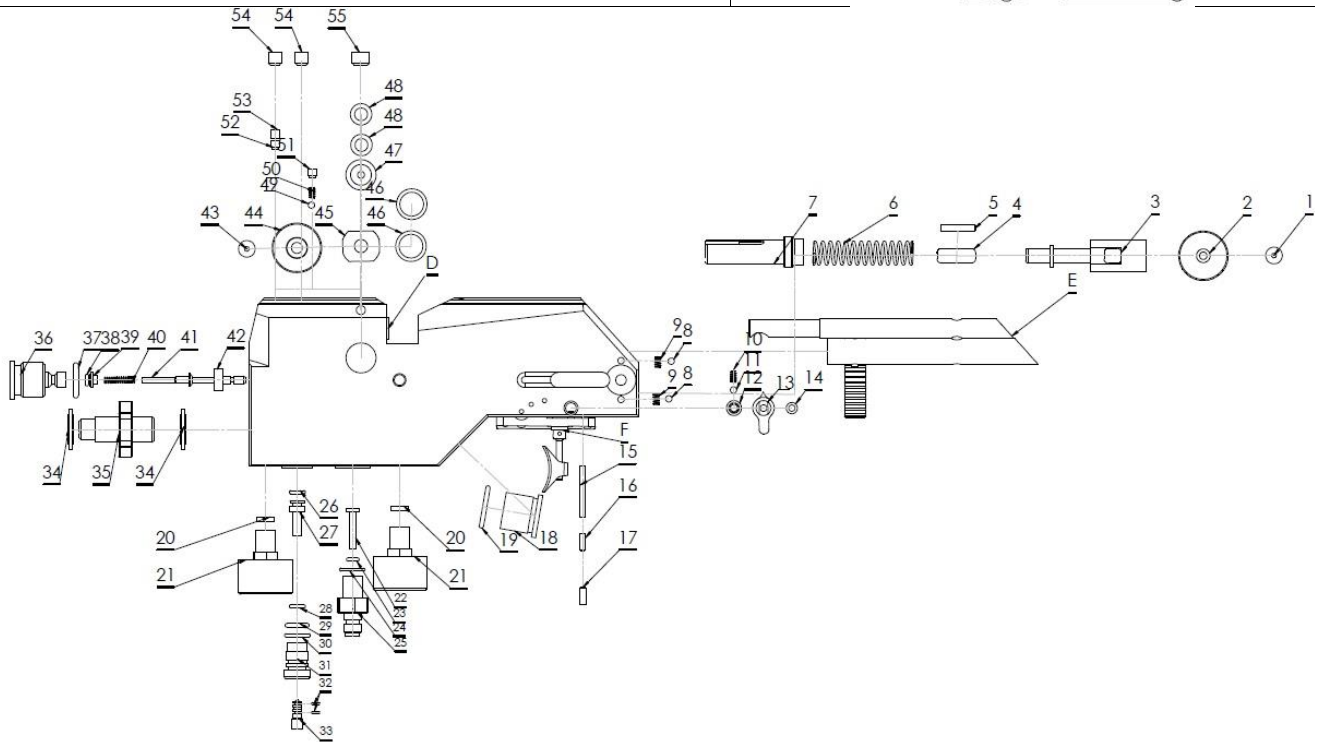
B



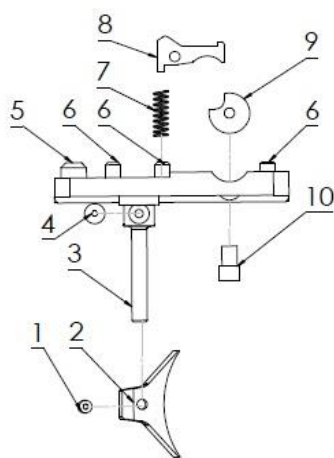
C



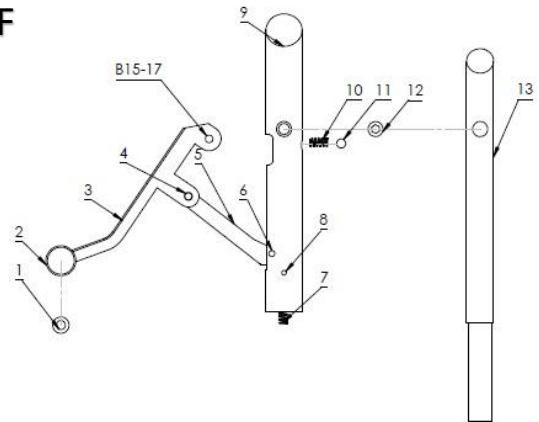
D



E



F



Model	Other model names	Date	Revision	Revision date
FX Crown		2018-06-19	EN.19.01	2019-08-26

NO	ART. NO	DESCRIPTION	NO	ART. NO	DESCRIPTION
A1-Walnut	19940	Crown Walnut Stock	D28	19109	O-ring 4x1,5 NBR 70
A1-Gray	19943	Crown Laminate Gray Stock	D29	19763	O-ring 9x1,5 NBR 90
A1-Green	19941	Crown Laminate Green Stock	D30	4528	O-ring 7,66x1,78 NBR 70
A1-Blue	19942	Crown Laminate Blue Stock	D31	19697	Regulator house
A2	19901	Breechblock Crown	D32	19731	O-ring 2x1 NBR 90
A3-4,5 & 5,5	19142	Shroud tube 28x447mm	D33	19695	Regulator Screw
A3-6,35 & 7,62	19975	Shroud tube 28x562mm	D34	11507	Rubbersteel washer M12
A4	5532	Carbon Fibre bottle Complete	D35	19659	Bottle adapter
B1	12045	O-ring 13.95x2.62 NBR 70	D36	19905	Valvehouse crown
B2	12045	O-ring 13.95x2.62 NBR 70	D36	19948	Valvehouse Crown, for 10J/12Ft
B3	19925	Shroud-cone Crown	D37	5109	O-ring 11,6x2,4 NBR 70
B4	11509	CPK 3h6x10	D38	5111	O-ring 2,5x1,5 NBR 90
B5	11201	Grubscrw M5x4	D39	19038	Springseat
B6	19926	Shroudstop Crown	D40	2525	Spring 0,6x4x15
B7	19911	Shroud compensator 5,5	D40	11627	Spring 0,6x4x20, for 10J/12Ft
B7	19912	Shroud compensator 6,35	D41	19929	Valvepin Crown CPL
B7	19913	Shroud compensator 7,62	D42	19217	Valveseat CPL
B8	19951	O-ring 18x3,5 NBR 70	D43	16104	Countersunk screw M4x14
B9-4.5 & 5.5	19654	Muzzle 4,5 & 5,5	D44	19915	Power adjuster house
B9- 6.35	19655	Muzzle 6,35	D45	19923	Poweradjuster outer crown
B9- 7.62	19656	Muzzle 7,62	D46	19081	O-ring 11,1x1,6 NBR 70
C1- 4.5	2529	O-ring 4,3 x 1,5 NBR 70	D47	19922	Power adjuster inner Crown
C1- 5.5	19726	O-ring 5,5 x 1,5 NBR 70	D47	19937	Power adjuster inner Crown 10J
C1- 6.35	4526	O-ring 6,4 x 1,3 NBR 70	D47	19936	Power adjuster inner Crown 12Ft
C1- 7.62	19726	O-ring 7,5 x 1,5 NBR 70	D48	19228	O-ring 6x2 NBR 70
C2	19703	O-ring 10x2 NBR 70	D49	4066	Steel Ball 3mm
C3	19628	Barrel inlet 4,5	D50	11501	Spring 0,5x2,5x6,1
C3	19629	Barrel inlet 5,5	D51	2637	Grub screw M4x6 flat
C3	19670	Barrel inlet 6,35	D52	2637	Grub screw M4x6 flat
C3	19671	Barrel inlet 7,62	D53	2637	Grub screw M4x6 flat
D1	2508	Countersunk screw M3x10	D54	19846	Grub screw M6x6
D2	19908	Power adjuster Crown	D55	19955	Grub screw M8x6
D3	19902	Springholder Crown	E1	12035	Grub screw M2.5x2.5
D4	19909	Hammer adjuster	E2	19136	Adjustable Trigger blade
D5	19683	Grubscrew M3x18	E3	19137	Triggerpin
D6	11500	Hammerspring v2	E4	19178	MC6s M2x4
D6	16024	Hammerspring, for 10J /12Ft	E5	11015	Trigger Screw M5, Second stage
D7	19039	Hammer v7	E6	19678	Grub screw M3x6
D8	11501	Spring 0,5x2,5x6,1	E7	11544	Spring 1st stage
D9	4066	Steelball 3mm	E8	19934	Trigger sear Crown
D10	11501	Spring 0,5x2,5x6,1	E9	11525	Trigger roll
D11	4066	Steelball 3mm	E10	19927	Screw trigger roll
D12	19907	Safety Crown	F1	19682	Screw M3x16
D13	19906	Safety lever Crown	F2	19611	Sidelever handle
D14	11546	MC6S M3x14	F3	19638	Sidelever
D15	1501	CPK 2,5m6x24	F4	19026	CPK 2.5m6x6
D16	19026	CPK 2,5m6x6	F5	19935	Linkage Crown
D17	11508	Grub screw M3x10	F6	19601	CPK 2h6x6
D18	19904	Plugg M18x1	F7	11544	Spring 0,75x5x20
D19	19950	O-ring 14x2 NBR 70	F8	11509	CPK 3h6x10
D20	19723-1	Plastic Washer, Thick, Regulator Gauge	F9	19921	Carrier
D21	11505	Manometer	F10	11503	Spring 0,5x2,5x4,4
D22	19329	Checkvalve rod "gold"	F11	4066	Steelball 3mm
D23	5111	O-ring 2.5x1.5 NBR 90	F12	19914	Pellet probe Screw
D24	16028	O-ring 12x1 NBR 70	F13-4.5	19917	Pellet probe Crown 4,5
D25	19939	Quick connector Crown	F13-5.5	19918	Pellet probe Crown 5,5
D26	19109	O-ring 4x1,5 NBR 70	F13-6.35	19919	Pellet probe Crown 6,35
D27	19696	Regulator rod	F13-7.62	19920	Pellet probe Crown 7,62