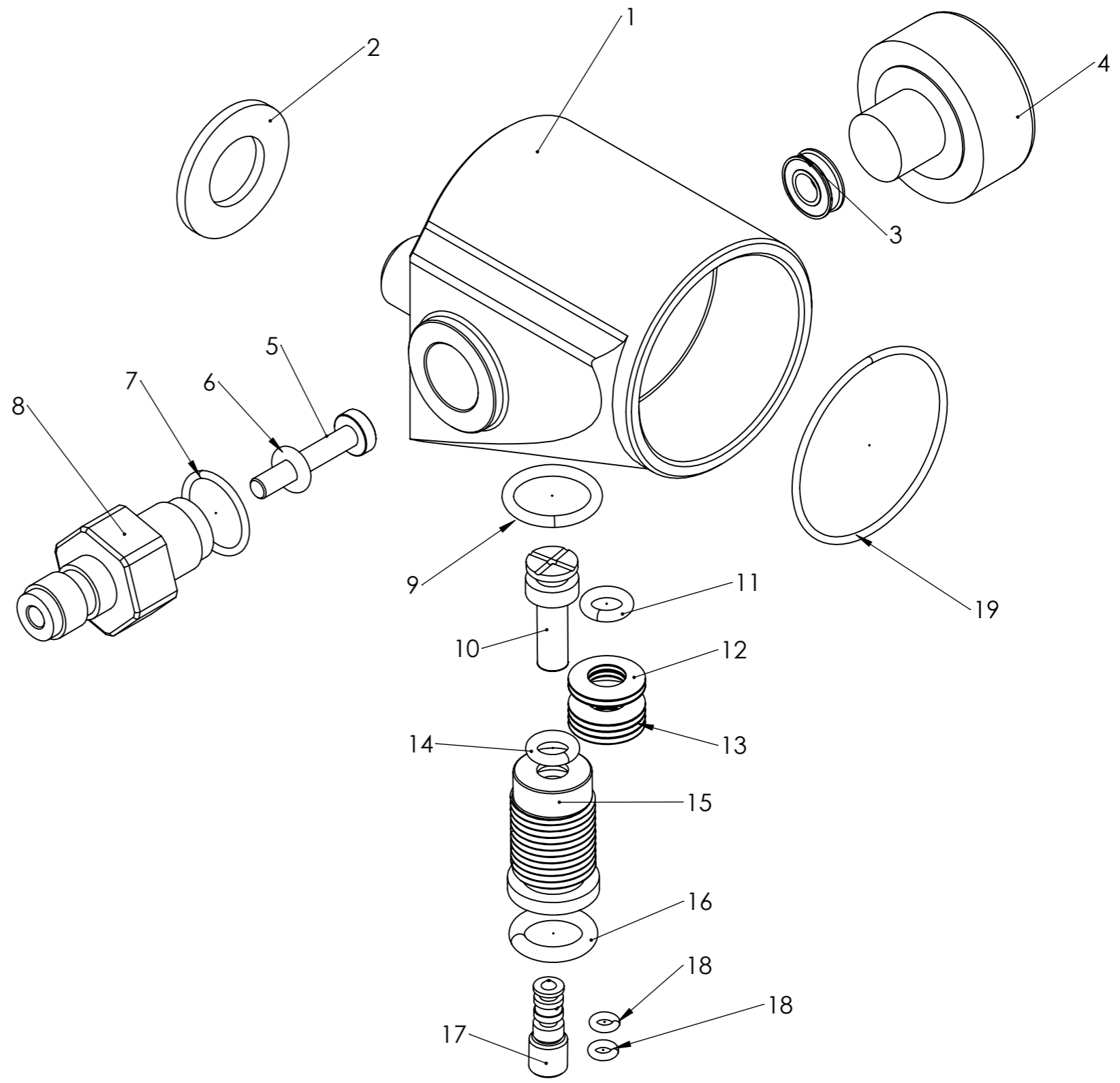


8 7 6 5 4 3 2 1

F
E
D
C
B
A



Position	Description	Art. No.
1	Air bottle adapter Dreamline	20122
2	Rubbersteel washer M12	11507
3	X-ring 3,63x2,62 NBR 70	19762
4	Pressure gauge 23mm	19772
5	Backvalve "blue"	19005
6	O-ring 2,9 x 1,78 PUR 90	5107
7	O-ring 10x1 NBR 90	19720
8	Quick connector male	16303
9	O-ring 10x1,5 NBR 90	19790
10	Regulator rod	19696
11	O-ring 4x1,5 NBR 70	19109
12	Washer	2572
13	Washer	2570
14	O-ring 4x1,5 NBR 70	19109
15	Regulator house	19697-1
16	O-ring 7,5x2,0 NBR 70	19225
17	Regulator screw	19695
18	O-ring 2x1 NBR 90	19731
19	O-ring 26,0 x 1,0 NBR 90	5132

TITLE:
**Airbottle adapter
Dreamline**

MATERIAL:		Tolerans enl. SS-ISO 2768-1		DWG NO.		ART NO.		A3
		Fin		F10101		20148		
DRAWN	NAME	DATE	CHANGE DATE	REVISION		SCALE:1:5:1		SHEET 1 OF 1

8 7 6 5 4 3 2 1