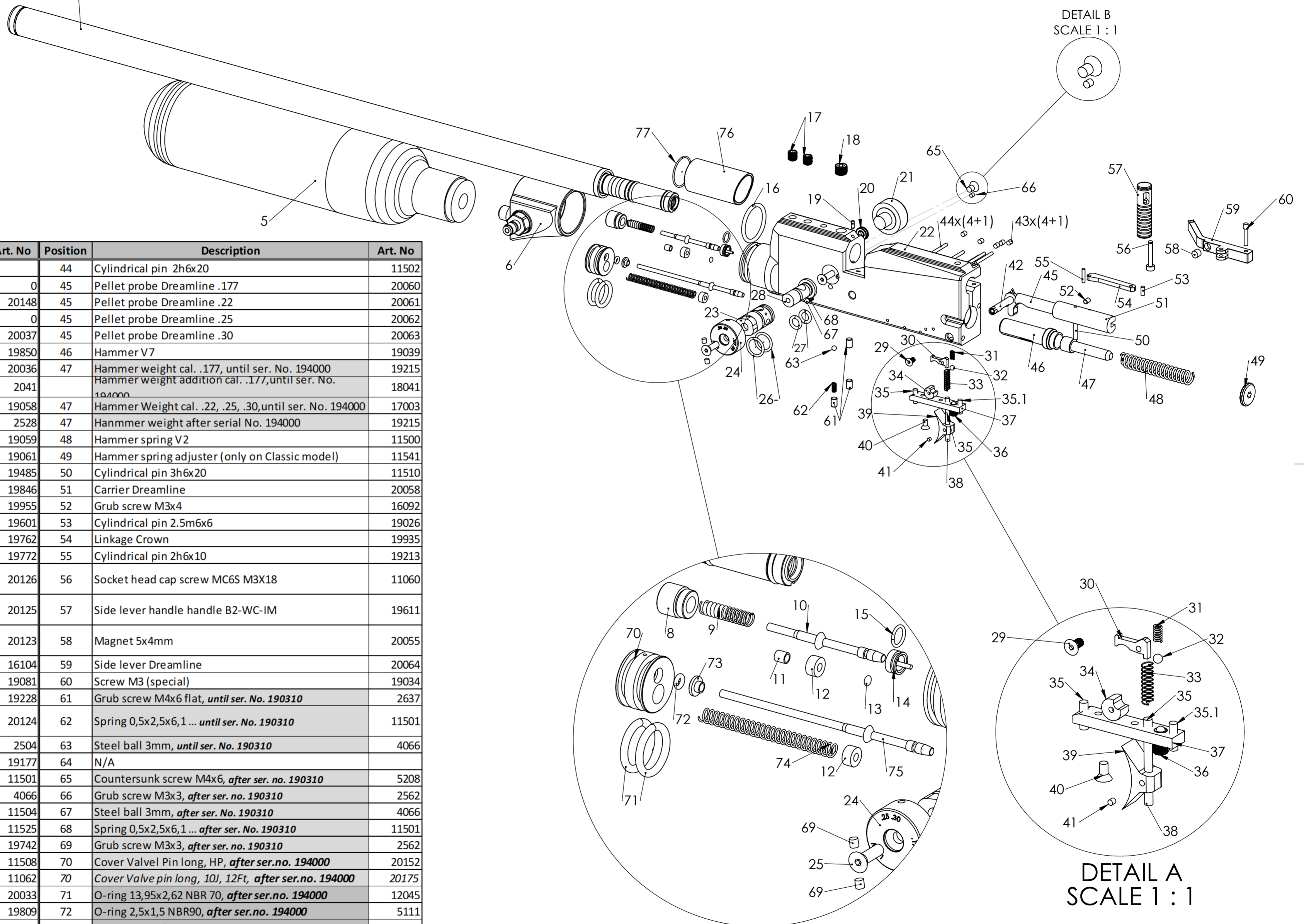


4-se pipa kpl.



Position	Description	Art. No	Position	Description	Art. No
4	Barrel cpl., see drawing F10061		44	Cylindrical pin 2h6x20	11502
5	Air Bottle cpl., see drawing F10103	0	45	Pellet probe Dreamline .177	20060
6	Air Bottle adapter cpl., see drawing F10101	20148	45	Pellet probe Dreamline .22	20061
7	N/A	0	45	Pellet probe Dreamline .25	20062
8	Valve holder Dreamline, until ser.no. 194000	20037	45	Pellet probe Dreamline .30	20063
9	Spring 0,5x4x20, until ser.no. 194000	19850	46	Hammer V7	19039
10	Valve Pin Dreamline, until ser.no. 194000	20036	47	Hammer weight cal. .177, until ser. No. 194000	19215
11	Holder Valve seal, until ser.no. 194000	2041	47	Hammer weight addition cal. .177, until ser. No. 194000	18041
12	Gasket SHP	19058	47	Hammer Weight cal. .22, .25, .30, until ser. No. 194000	17003
13	O-ring 1,5 x 1,0 NBR 70	2528	47	Hammer weight after serial No. 194000	19215
14	Valveseat SHP	19059	48	Hammer spring V2	11500
15	O-ring 6x1 NBR 90	19061	49	Hammer spring adjuster (only on Classic model)	11541
16	O-ring 23x2.5 NBR70	19485	50	Cylindrical pin 3h6x20	11510
17	Grub screw M6x6	19846	51	Carrier Dreamline	20058
18	Grub screw M8x6	19955	52	Grub screw M3x4	16092
19	Cylindrical pin 2h6x6	19601	53	Cylindrical pin 2.5m6x6	19026
20	X-ring 3,63x2,62 NBR 70	19762	54	Linkage Crown	19935
21	Pressure gauge 23mm	19772	55	Cylindrical pin 2h6x10	19213
22	Main block Dreamline, until serial no. 190310 use art.no. 20020	20126	56	Socket head cap screw MC6S M3X18	11060
23	Power adjuster, outer, until serial no. 190310 use art.no. 20034	20125	57	Side lever handle handle B2-WC-IM	19611
24	Power adjuster Crown, until serial no. 190310 use art.no. 19915	20123	58	Magnet 5x4mm	20055
25	Countersunk screw M4x14	16104	59	Side lever Dreamline	20064
26	O-ring 11.1x1.6 NBR90 (2st)	19081	60	Screw M3 (special)	19034
27	O-ring 6x2 NBR70	19228	61	Grub screw M4x6 flat, until ser. No. 190310	2637
28	Power adjuster inner, Crown, until serial no. 190310 use art.no. 19922	20124	62	Spring 0,5x2,5x6,1 ... until ser. No. 190310	11501
29	Countersunk screw M3x6	2504	63	Steel ball 3mm, until ser. No. 190310	4066
30	Trigger sear V7,8,12	19177	64	N/A	
31	Spring 0,5x2,5x6,1	11501	65	Countersunk screw M4x6, after ser. no. 190310	5208
32	Steel ball 3mm	4066	66	Grub screw M3x3, after ser. no. 190310	2562
33	Spring 0,32x3,2x14,4	11504	67	Steel ball 3mm, after ser. No. 190310	4066
34	Trigger Wheel	11525	68	Spring 0,5x2,5x6,1 ... after ser. No. 190310	11501
35	Grub screw M3x8	19742	69	Grub screw M3x3, after ser. no. 190310	2562
35.1	Grub screw M3x10	11508	70	Cover Valve Pin long, HP, after ser.no. 194000	20152
36	Adjuster screw 2:st stage, soft	11062	70	Cover Valve pin long, 10l, 12Ft, after ser.no. 194000	20175
37	Triggercatch Dreamline, standard	20033	71	O-ring 13,95x2,62 NBR 70, after ser.no. 194000	12045
38	Trigger pin	19809	72	O-ring 2,5x1,5 NBR90, after ser.no. 194000	5111
39	Adjustable Trigger blade	19136	73	Springseat, after ser.no. 194000	19038
40	Countersunk Screw M3x6	2504	74	Spring 0,6x4x60, after ser.no. 194000	20180
41	Grub Screw M2,5x2,5	12035	75	Valvepin Dreamline, long, after ser.no. 194000	20153
42	Safety Impact	19610	76	Barrel support Dreamline	20162
43	Cup point grub screw M3x3	2562	77	O-ring 20x1 NBR 70	20159

DETAIL C
SCALE 1 : 1

DETAIL A
SCALE 1 : 1

TITLE: Dreamline Basic, Airbottle

MATERIAL:				FXairguns		DWG NO.	ART NO.	A2
DRAWN	NAME	DATE	CHANGE DATE	REVISION		F10102	ART NO.	
						SCALE:1:2	SHEET 1 OF 1	