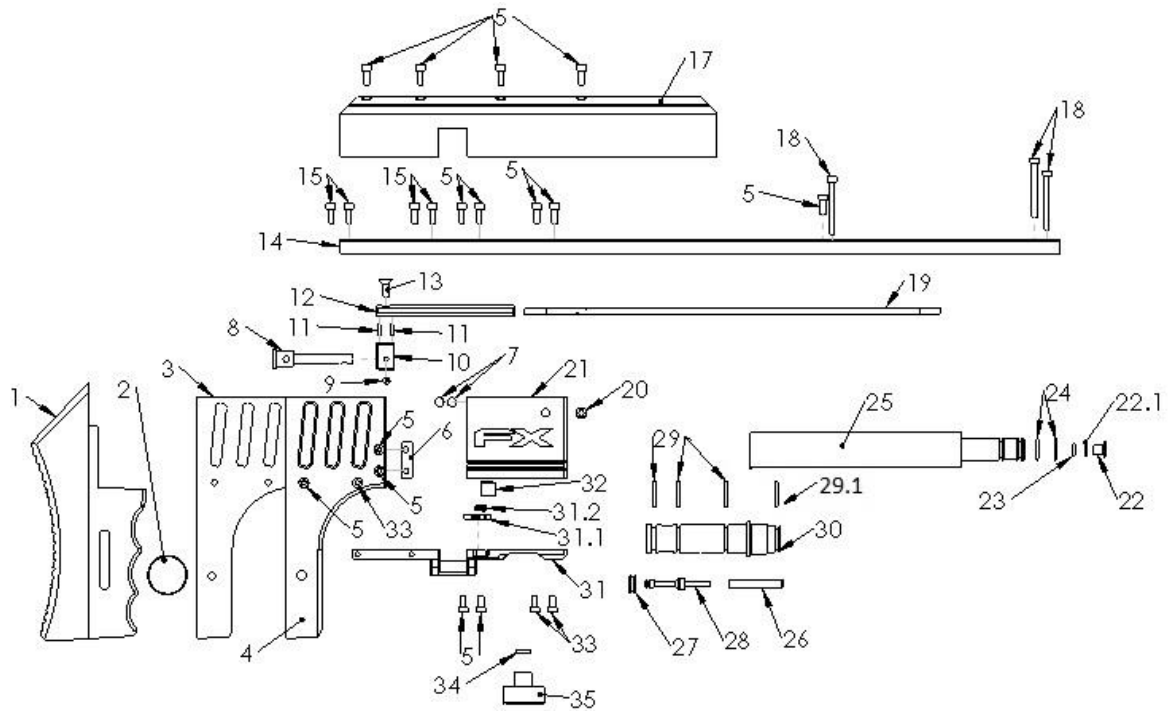
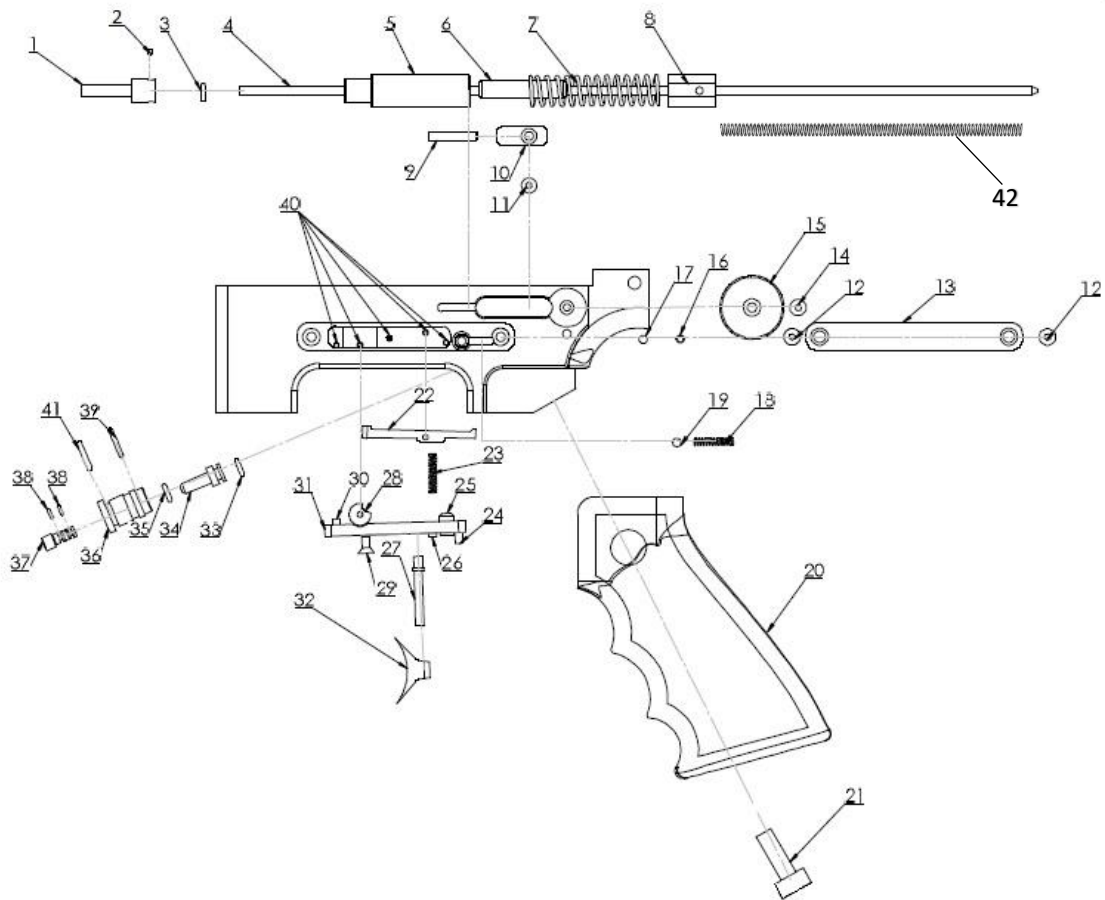


Model	Other model names	Date	Revision	Revision date
FX Impact MkII		2019-08-02	EN.19.01	-

B



C



Model	Other model names	Date	Revision	Revision date
FX Impact MkII		2019-08-02	EN.19.01	-

NO	ART. NO	DESCRIPTION	NO	ART. NO	DESCRIPTION
A1	19690	Trigger Block Impact, black	B11	19601	CPK 2h6x6
A1	19699	Trigger Block Impact, silver	B12	19612	Feedingpin Guide
A2	1501	CPK 2,5m6x24	B13	2505	Countersunk screw m4x10
A3	19638	Cockinglever Impact	B14	19642	Guiding Plate Impact
A4	19026	CPK 2,5m6x6	B15	2527	MC6S M3x10
A5	19021	Lever Linkage	B16	N/A	N/A
A6	19718	O-ring 14x1,5 NBR 70	B17	19769	Cheekpiece Impact
A7	19650	Barrel Guiding back	B18	11506	MC6S M3x30
A8	19740	MC6S M3x22	B19	19667	Reloading Bar
A9	19652	Delrin Puck 5	B20	19864	Grubb screw M6x6
A10	19691	Reloading block Impact	B21	19698	Rear block Impact
A11	19653	Delrin Puck 9,9	B22	19674	O-ring Stop Valve tube
A12	19672	Hammerpin	B22.1	19061	O-ring 6x1 NBR90
A13	19651	Barrel guiding Front	B23	19768	O-ring 2,84x2,62 PUR 90
A14	19611	Cockinglever Handle	B24	19722	O-ring 9x1,5 NBR 70
A15	11060	MC6S M3x18	B25	19615-1	Valvetube 20mm
A16	11599	Rubberbaal 6,35 NBR90	B26	19603	Valve nut impact
A17	19616	Valvestop Impact	B27	19217	Valvseat complete
A18	19722	O-ring 9x1,5 NBR 70	B28	7064	Valvepin complete Impact
A19	19668	Valve adjuster screw	B29	19677	O-ring 10,5x2 NBR 70
A20	19669	Valve Ajuster Impact	B29.1	19718	O-ring 14x1,5 NBR 70
A21	19717	Countersunk screw m6x8	B30	19605-1	Valvehouse
A22	11507	Rubbersteel washer M12	B31	20117	Magazine bracket Impact MkII
A23	19659	Bottle adapter impact	B31.1	20116	Locking arm Magazine bracket
A24	19694	Brass adapter impact.	B31.2	16093	Spring 0,3x2x10
A25	19761	O-ring 2,2x1 NBR 70	B32	19224	Grubscrew M8x8
A26	19689	Trigger guard Impact, black	B33	19713	MC6S M3x6
A26	19617	Trigger guard Impact, silver	B34	19762	X-ring 3,63x2,62 NBR 70
A27	19762	X-ring 3,63x2,62 NBR 70	B35	19775	Manometer 28mm with black cover
A28	19775	Manometer 28mm with black cover	C1	19604	Hammerseat
A29	16303	Quick connector male	C2	19741	Grub screw M2x2
A29.1	4528	O-ring 7.66x1.78 NBR70	C3	5107	O-ring 2,9x1,78 PUR 90
A29.2	19910	Dust Cover - Quick Connection	C4	19647	Valverod
A30	19720	O-ring 10x1 NBR 90	C5	19622	Hammer Impact
A31	5107	O-ring 2,9x1,78 PUR 90	C6	19623	Spring guide Impact
A32	19005	Backvalve "blue"	C7	11500	Hammerspring v2
A33	19479	MC6S M3x16	C8	19609	Spring holder Impact
A34	2504	Countersunk screw M3x6	C9	19683	Grub screw M3x18
A35	19610	Safety Lever	C10	19602	Hammer adjuster
A36	19736	Delrin bushing 5,3	C11	19715	MC6S M3-0.5x5
A37	19715	MC6S M3-0.5x5	C12	2504	Countersunk M3x6
A38	14500	MC6S M5x16	C13	19693	Impact sprintholder
B1	19618	Impact Recoild-pad	C14	19712	Countersunk screw m3x10
B2	19728	Shoulderpad Adjuster screw	C15	19608	Power adjuster Impact
B3	19646	Left plate impact	C16	11501	Spring 0,5x2,5x6,1
B4	19645	Right plate impact	C17	4066	Steel ball 3mm
B5	12610	MC6S M3x8	C18	11501	Spring 0,5x2,5x6,1
B6	19606	Magazine holder Impact	C19	4066	Steel ball 3mm
B7	5110	Rubberball 4,75 NBR 70	C20	19710	Houge rubber grip
B8	19641	Feeding pin Impact 4,5 (.177)	C21	19743	MC6S M6x16
B8	19620	Feeding pin Impact 5,5 (.22)	C22	19636	Triggercatch Impact
B8	19621	Feeding pin Impact 6,35 (.25)	C23	11504	Spring 0,32x3,2x14,4 v2.3
B8	19619	Feeding pin Impact 7,62 (.30)	C24	19742	Grub screw M3x8
B9	19748	Grub screw M3x6, <i>until ser.no. 191084</i>	C25	11062	M5 secondstage std
B9	19643	Grub screw, Feeding pin, M4, <i>from serial no.191084</i>	C26	2500	Grub screw M3x6
B10	19614	Feedingpin holder, <i>revision 4, until serial No. 191084, (use with 19748)</i>	C27	19613	Trigger pin Impact
B10	19614	Feedingpin holder, <i>revision 5, from serial no. 191084, (use with 19643)</i>	C28	11525	Triggerroll

Model	Other model names	Date	Revision	Revision date
FX Impact MkII		2019-08-02	EN.19.01	-

C29	2504	Countersunk M3x6	C36	19697-1	Regulator house
C30	2500	Grub screw M3x6	C37	19695	Regulator screw
C31	19637	Triggerbase Impact	C38	19731	O-ring 2x1 NBR 90
C32	19136	Adjustable triggerblade	C39	19790	O-ring 10x1,5 NBR90
C33	19109	O-ring 4x1,5 NBR 70	C40	19040	CPK 2m6x24
C34	19696	Regulator rod	C41	19225	O-ring 7,5x2 NBR70
C35	19109	O-ring 4x1,5 NBR 70	C42	19735	Spring 0,75x5x175