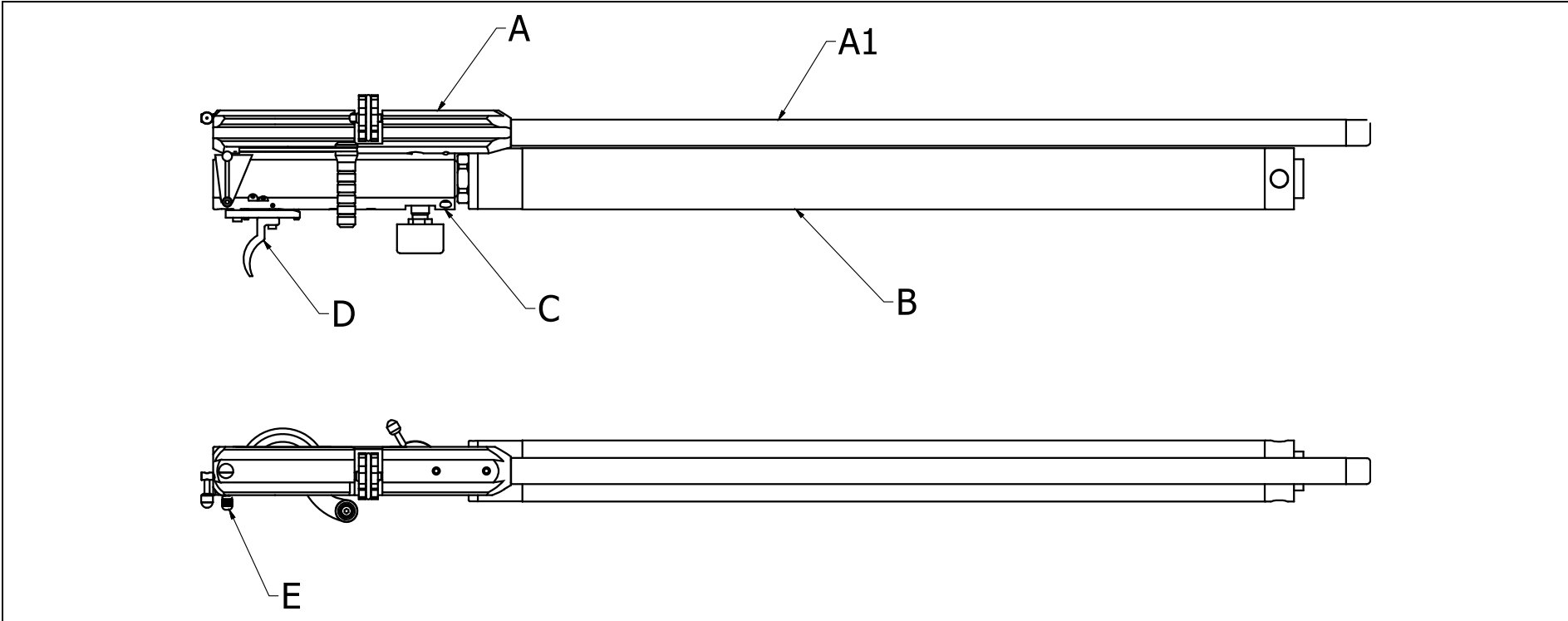
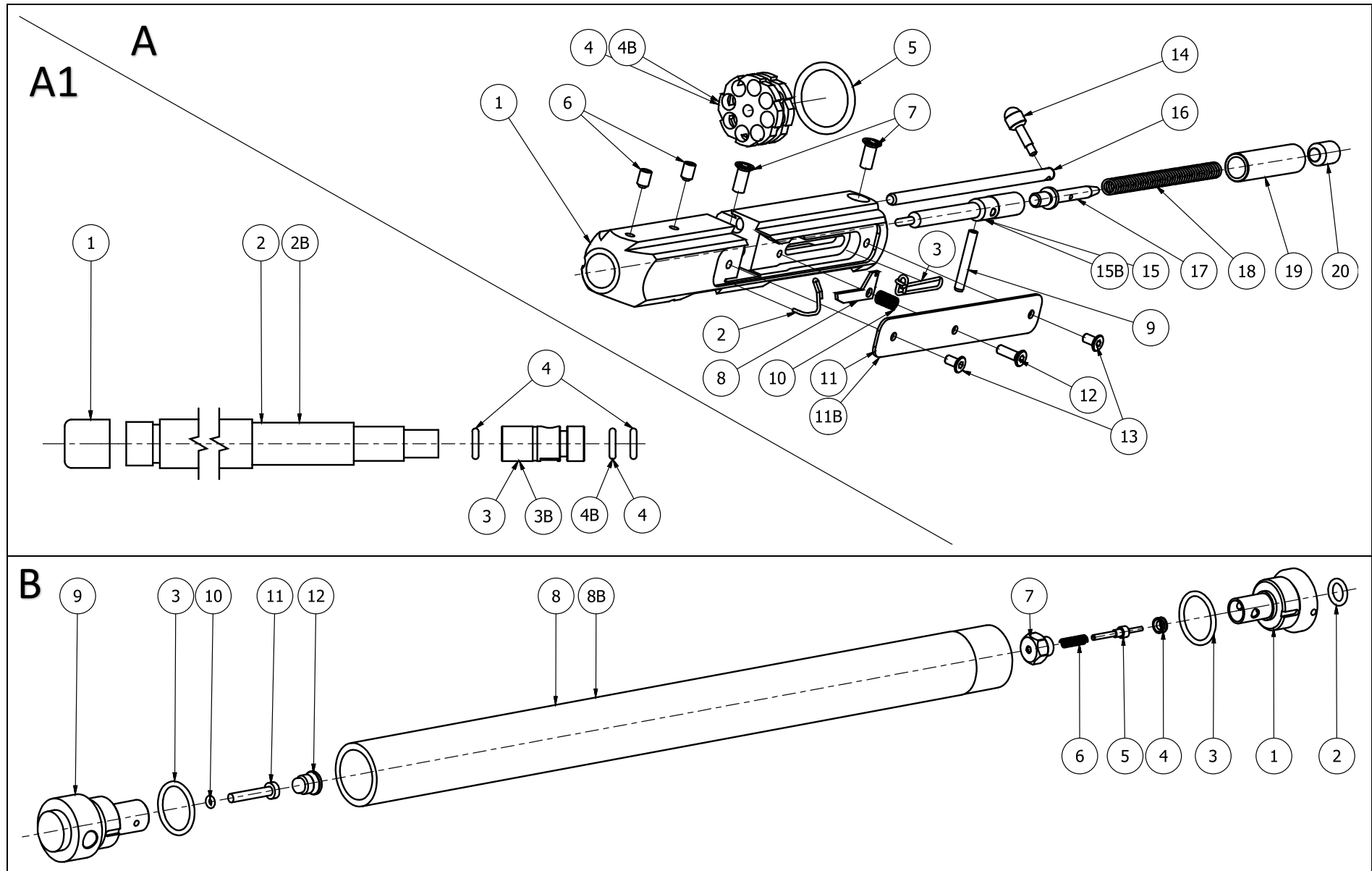
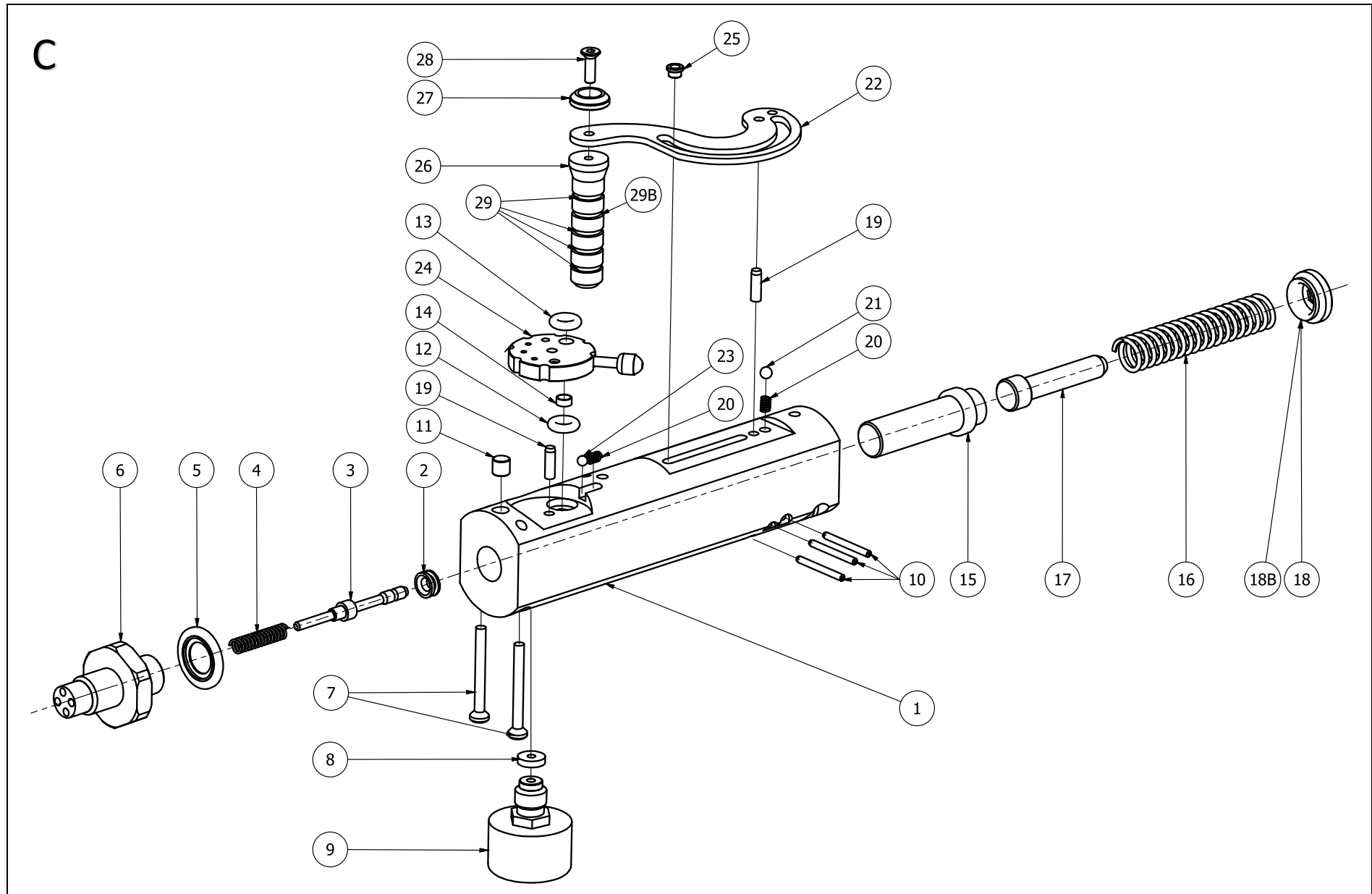


Model	Other model names	Date	Revision	Revision date
Cutlas		2019-10-09		



Model	Other model names	Date	Revision	Revision date
Cutlas		2019-10-09		

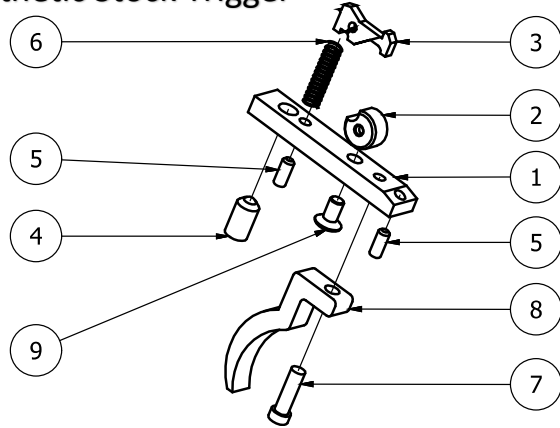




Model	Other model names	Date	Revision	Revision date
Cutlas		2019-10-09		

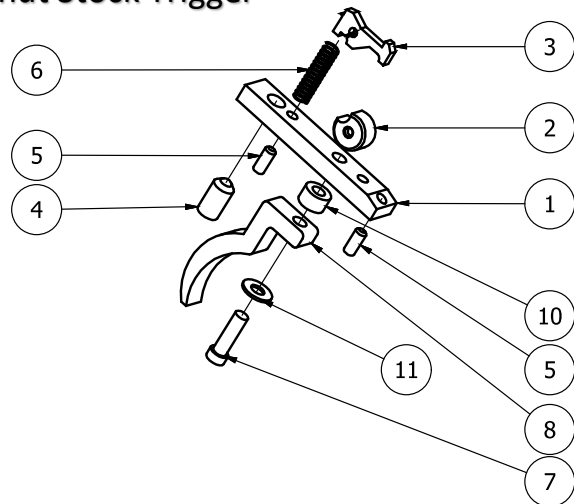
D

Synthetic Stock Trigger

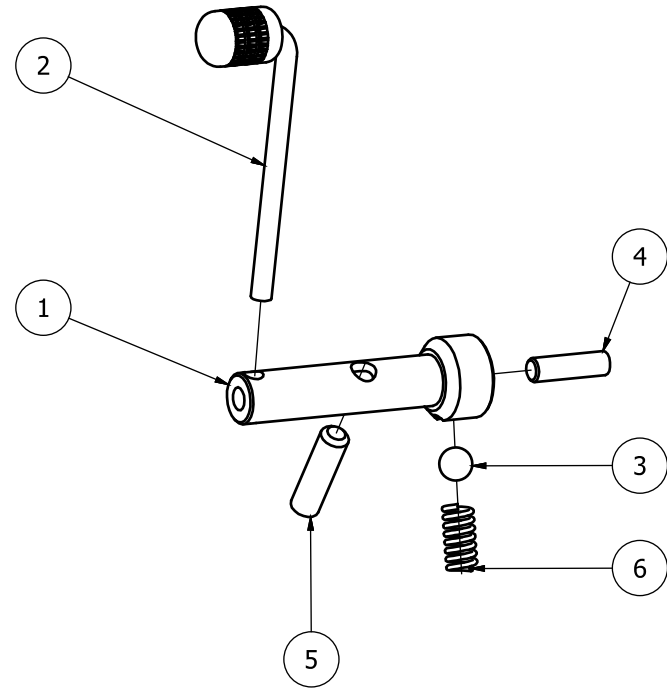


D

Walnut Stock Trigger



E



Model	Other model names	Date	Revision	Revision date
Cutlas		2019-10-09		

NO	ART. NO	DESCRIPTION	NO	ART. NO	DESCRIPTION	NO	ART. NO	DESCRIPTION
A1	11045	Feeding House	B11	11615	High Performance Inlet Valve	D8	2020	Trigger Blade
A2	2029	Magazine Stop	B12	19035	Plug 1/8"	D9	2504	Countersunk Screw M3x6 (Synth.)
A3	11516	Index Lever Connector	C1	11044	Main Body	D10	2063	Trigger Spacer (Walnut Stock)
A4	12023	Magazine .177	C2	7044	Valve Seat Complete	D11	11531	Washer M3 (Walnut Stock)
A4 B	11050	Magazine .22	C3	7018	Valve Pin V2 Complete	E1	11027	Safety Pivot
A5	5101	O-ring 20x2,5 NBR70	C4	11627	Spring 0,6x4x20 HV	E2	11625	Safety Lever With Knob
A6	2501	Grub Screw M4x6	C5	11507	Rubber Steel Washer	E3	11527	Steel Ball 3,175
A7	11511	Countersunk Screw M4x8, Torx	C6	11032	Air Cylinder Connector	E4	11633	Grub Screw M2,5x8
A8	11541	Index Lever	C7	11506	Socket head cap screw M3x30	E5	11508	Grub Screw M3x10
A9	11514	Cylindrical Pin 3m6x22	C8	5005	Plastic Washer 2mm 1/8"	E6	11501	Spring 0,5x2,5x6,1
A10	2520	Spring 0,5x4x7	C9	11505	Pressure Gauge 25mm 1/8"	Stock	N/A	Stock Synthetic, N/A
A11	12023	Sideplate .177	C10	11502	Cylindrical Pin 2h6x20	Stock	N/A	Stock Walnut, N/A
A11 B	11521	Sideplate .22	C11	11626	Spacer 4,8			
A12	2508	Screw M3x10	C12	1504	O-ring 4,42x2,62 NBR70			
A13	2504	Screw M3x6	C13	11623	O-ring 4,42x2,62 NBR90			
A14	11644	Magazine Pin Knob	C14	11536	Airsleeve 4,6			
A15	11048	Pellet Probe .177	C15	11023	Hammer			
A15B	11025	Pellet Probe .22	C16	11500	Hammer Spring			
A16	13002	Magazine Pin	C17	11540	Hammer Weight			
A17	11042	Spring Guide M5	C18	11030	Hammer Spring Adjuster .177			
A18	12005	Spring 0,75x4x65	C18 B	11541	Hammer Spring Adjuster .22			
A19	11512	Brass Cap M8	C19	11509	Cylindrical Pin 3h6x10			
A20	11532	Grub Screw M8x10	C20	11503	Spring 0,5x2,5x4,4			
A1-1	12028	Muzzle End Cap 14mm	C21	11547	Steel Ball 3,5			
A1-2	12030	Barrel .177, 14mm	C22	11034	Sidelever			
A1-2B	12006	Barrel .22, 14mm	C23	4066	Steel Ball 3,0			
A1-3	2056	Brass Barrel Inlet	C24	11020	Power Adjuster			
A1-4	5112	O-ring 5,28x1,78 NBR70	C25	12028	Sidelever Bearing			
A1-4B	2529	O-ring 4,3x1,5 NBR70 (.177)	C26	11016	Sidelever Handle			
B1	11035	Air Cylinder End (Brass)	C27	11018	Sidelever Washer			
B2	5105	O-ring 9,3x2,4 NBR90	C28	2527	Screw M3x10			
B3	11624	O-ring 22x2,5 NBR70	C29	5112	O-ring 5,28x1,78 PUR70			
B4	7044	Valve Seat Complete	C29 B	1504	O-ring 4,42x2,62 NBR70			
B5	7018	Valve Pin Air Tube Complete	D1	11524	Trigger Base			
B6	2525	Spring 0,6x4x15	D2	11525	Trigger Wheel			
B7	11013	Valve Pin Nut	D3	11031	Trigger Sear			
B8	11024	Air Cylinder 330mm	D4	11015	Trigger Adjuster Screw M5			
B8 B	11535	Air Cylinder 400mm	D5	2500	Grub Screw M3x6			
B9	11029	Air Cylinder Inlet	D6	11504	Spring 0,32x3,2x14,4			
B10	5107	O-ring 2,9x1,78 PUR90	D7	2527	Screw M3x10			