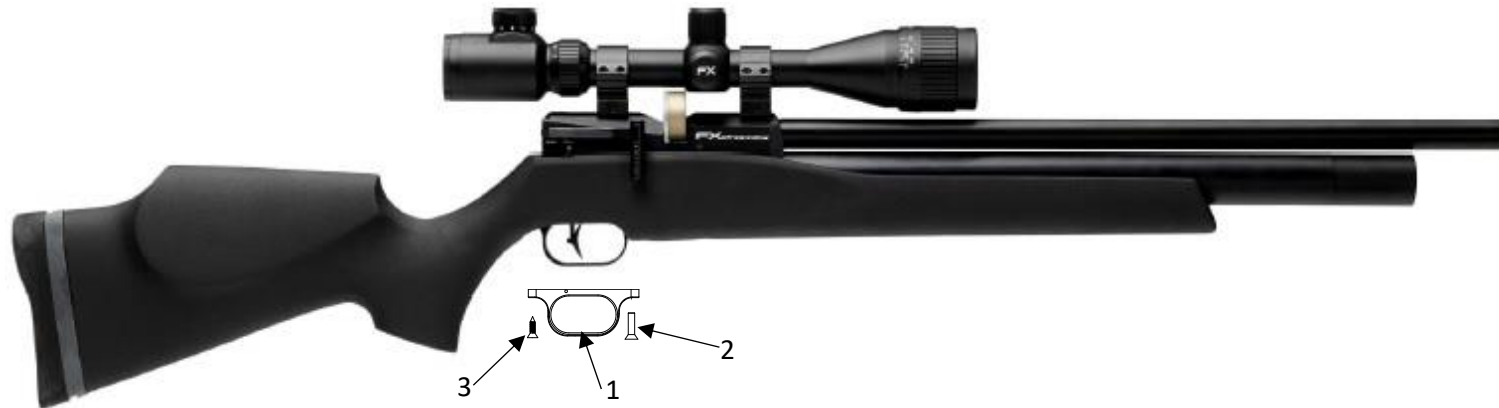
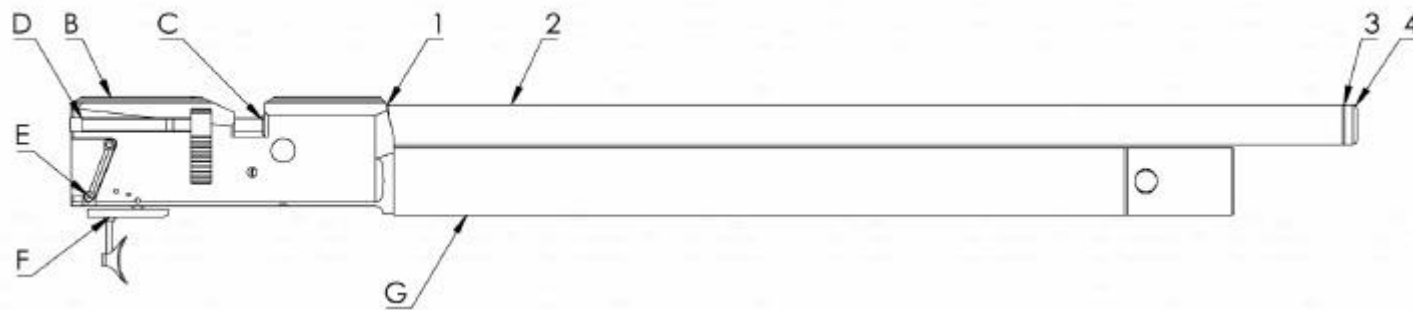


Model	Other model names	Date	Revision	Revision date
FX Streamline		2018-06-25	EN.18.01	-

STOCK

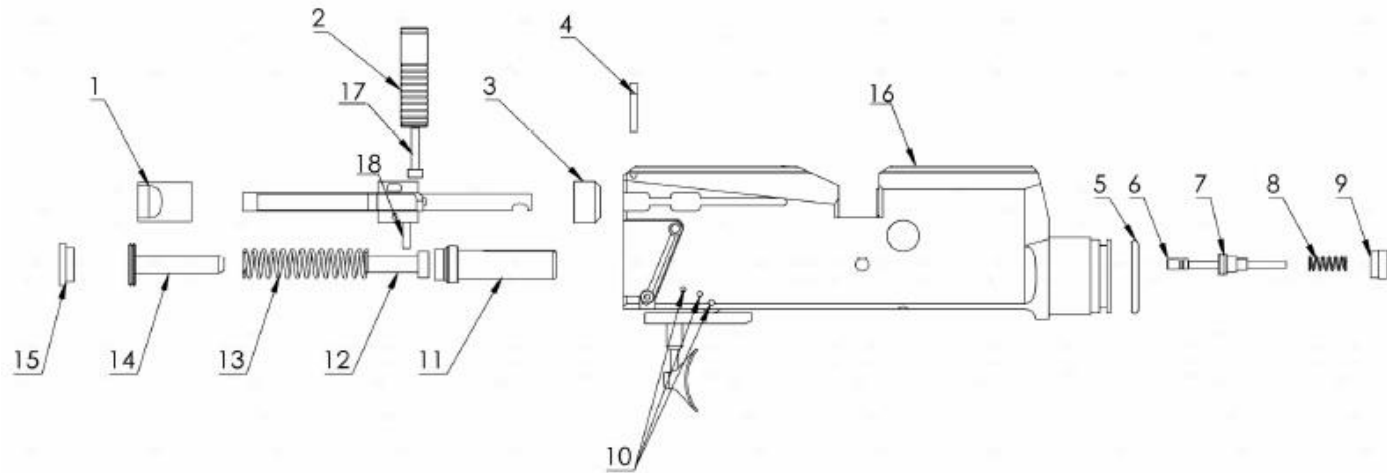


A

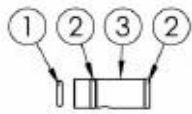


Model	Other model names	Date	Revision	Revision date
FX Streamline		2018-06-25	EN.18.01	-

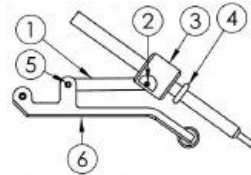
B



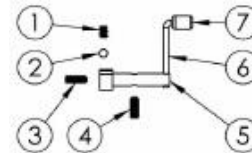
C



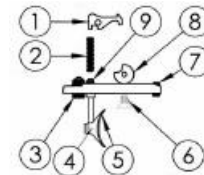
D



E



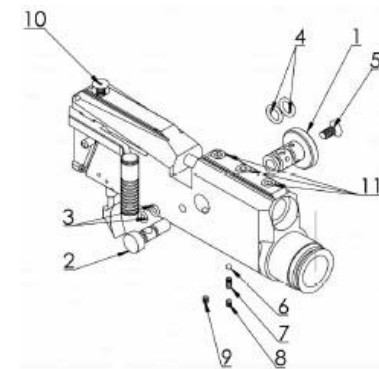
F



G



H



Model	Other model names	Date	Revision	Revision date
FX Streamline		2018-06-25	EN.18.01	-

NO	ART. NO	DESCRIPTION	NO	ART. NO	DESCRIPTION	NO	ART. NO	DESCRIPTION
A1	19802	Shroud Guide 20mm	C3 - 5,5	19815	Barrel Inlet 5,5	G5	19530	Plug 1/8
A2 - 4,5 - 5,5	19868	Shroud 470mm	C3 - 6,35	19822	Barrel Inlet 6,35	G6	19329	Inlet-valve Rod (Gold)
A2 - 6,35	19867	Shroud 585mm	D1	19021	Linkage	G7	5111	O-ring 2,5x1,5 NBR 90
A3 - 4,5 - 5,5	19807	Shroud Compensator	D2	19042	Pivot Pin 2x8	G8	19542	Tube end manometer
A3 - 6,35	19810	Shroud Compensator 6,35	D3	19011	Pelletprobe 4,5	G9	19485	O-ring 23,0x2,5 NBR 70
A4	19821	Muzzle-thread cover	D3	19010	Pelletprobe 5,5	G10	19484	O-ring 24,0x2,4 NBR 70
B1	19029	Pelletprobe Guide	D3	19192	Pelletprobe 6,35	G11	19484	O-ring 24,0x2,4 NBR 70
B2	19611	Sidelever handle	D4	19171	O-ring 4x2 NBR70	G12	5003	Plastic Bushing 4mm
B3 - 4,5	19823	Probe Guide 4,5	D4	19332	O-ring 5x2 NBR70	G13	11505	Manometer 25mm
B3 - 5,5	19820	Probe Guide 5,5	D4	19228	O-ring 6x2 NBR70	G14	19544	Dust Cover
B3 - 6,35	19819	Probe Guide 6,35	D5	19026	Pivot Pin 2,5x6	G15	19545	Delrin Bushing
B4	19034	Screw M3 "special"	D6	19638	Sidelever	G16	19497	O-ring 23,3x2,4 NBR 70
B5	19485	O-ring 23x2,5 NBR 70	E1	11503	Spring 0,5x2,5x4,4	H1	19804	Power-adjuster outer
B6	19816C	Valve pin Streamline Complete	E2	4066	Steelball 3mm	H2	19805	Power-adjuster inner
B7	19060	Valve seat SHP Complete	E3	11633	Grub Screw M2,5x8	H3	19836	O-ring 4,1x16 NBR70
B8 - 24J>	19850	Spring 0,5x4x20	E4	11508	Grub Screw M3x10	H4	19835	O-ring 8x2 NBR70
B8 - >16J	19580	Spring 0,75x4x20	E5	11027	Safety Pivot	H5	2505	Countersink Screw M4x10
B9	19803	Valve Holder	E6	19860	Safety Lever	H6	4066	Steel Ball 3mm
B10	19040	Pivot pin 2x24	E7	11200	Safety Handle	H7	11501	Spring 0,5x2,5x6,1
B11	19039	Hammer	F1	19177	Trigger Sear	H8	2501	Grubscrew M4x6mm
B12 - 5,5 24J>	19215	Hammer Weight	F2	11504	Spring 1:st Stage	H9	2637	Grubscrew M4x6mm flat
B12 - 6,35 24J>	19215	Hammer Weight	F3	11062	Adjuster screw 2:stage	H10	19025	Grubscrew M5x8mm
B13	11500	Hammer Spring	F4	12035	Grub screw M2,5x2,5	H11	19846	Grubscrew M6x6
B14 - >16J + 4,5	11030	Hammer Spring Adjuster	F5	19136	Trigger blade	Stock 1	15008	Triggerguard
B14 - 24J>	11541	Hammer Spring Adjuster	F6	19214	Countersunk screw m3x5	Stock 2	19845	Countersunk screw M5x20, Front
B15 (uk)	16043	Anti-Tamper (uk)	F7	2500	Grub Screw M3x6	Stock 3	11622	Sheet metal screw 4,2x16, Rear
B16	19801	Main Block	F8	11525	Trigger Wheel	Stock	19862C	Synthetic Stock
B17	19683	Grubscrew M3x18	F9	19809	Trigger Pin	Stock	2510	Synthetic Stock Mounting Screw
B18	19840	Pivot Pin 3x14	F10	11524	Trigger Base	Stock	16044	Synthetic Stock Mounting Spacer
C1 - 4,5	2529	O-ring 4,3x1.5 NBR 70	G1	19497	O-ring 23,3x2,4 NBR 70	Stock	19863C	Walnut Stock
C1 - 5,5	19726	O-ring 5,5x1,5 NBR 70	G2	19514	Distance Regulator	Stock	19864C	Laminate Stock
C1 - 6,35	4526	O-ring 6,4x1,3 NBR 70	G3	19043	Regulator	Stock	11523	Wooden Stock Mounting Screw
C2	19703	O-ring 10,0x2,0 NBR 70	G4 - 4,5 - 5,5	19830	Tube 34x360			
C3 - 4,5	19817	Barrel Inlet 4,5	G4 - 6,35	19831	Tube 34x475			