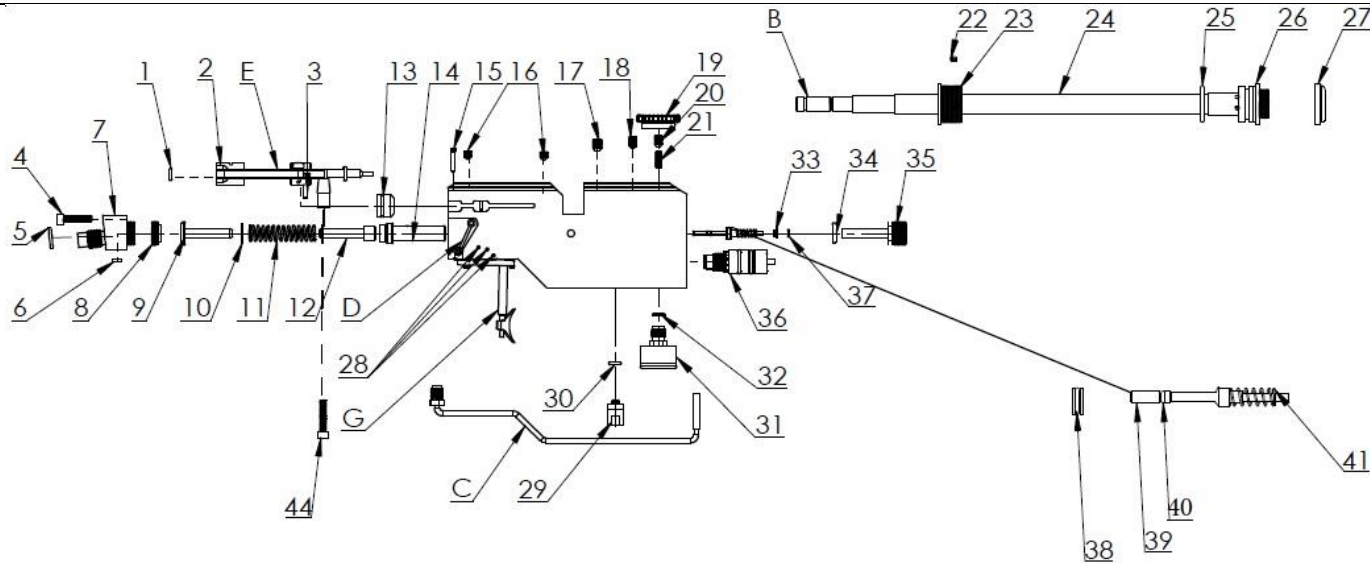


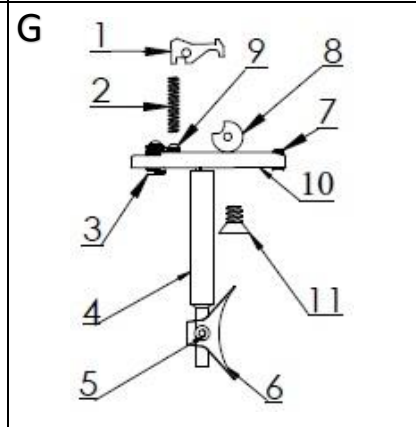
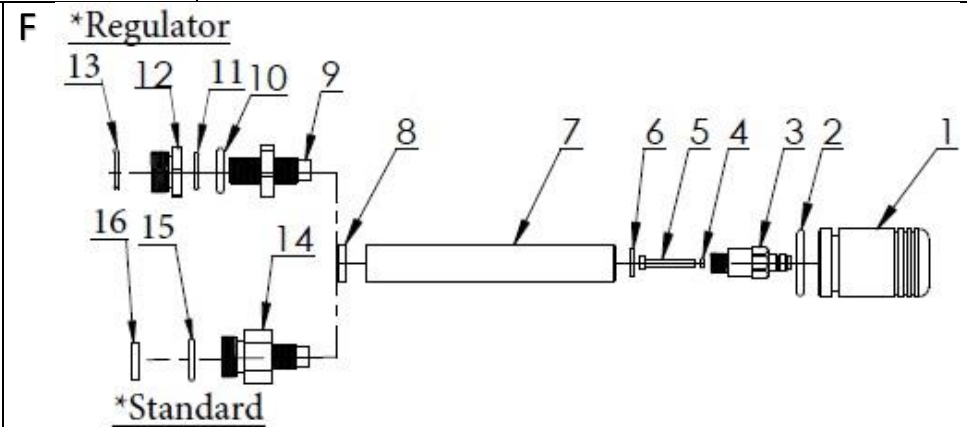
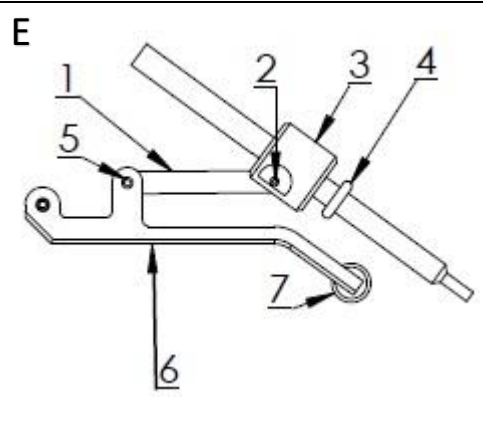
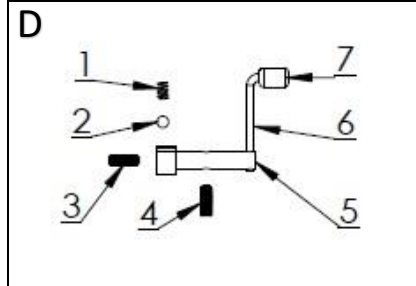
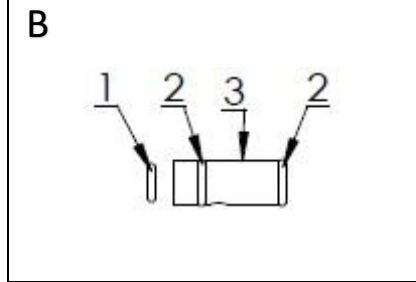
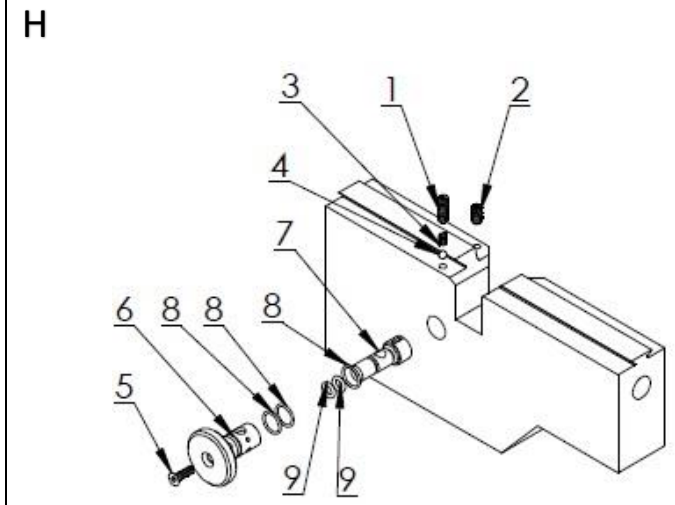
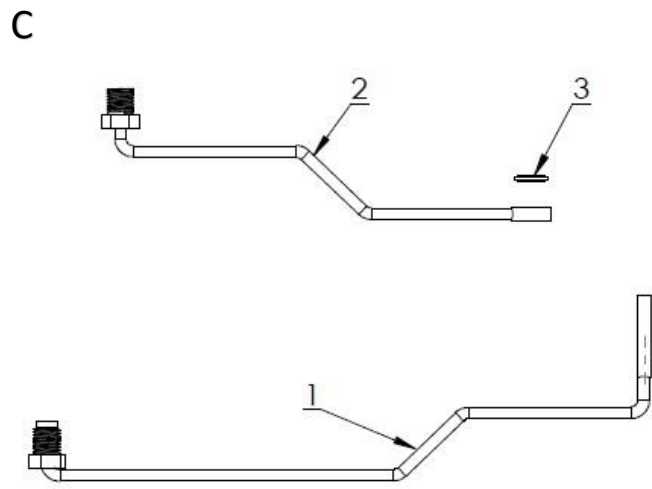
Model	Other model names	Date	Revision	Revision date
FX Verminator MkII		2018-06-20	EN.19.02	2019-10-09



A



Model	Other model names	Date	Revision	Revision date
FX Verminator MkII		2018-06-20	EN.19.02	2019-10-09



Model	Other model names	Date	Revision	Revision date
FX Verminator MkII		2018-06-20	EN.19.02	2019-10-09

NO	ART. NO	DESCRIPTION	NO	ART. NO	DESCRIPTION	NO	ART. NO	DESCRIPTION
1	14023	Bottle cover	A31	11505	Manometer 25mm	E4 – 6.35		O-ring 6,0x2 NBR70
2	0315	Bottle 500cc komplett	A32	5005	Plasticwasher 2mm	E5	19028	CPK 2,5M6x6
3	14025	Pistolgrip	A33	19038	Spring seat v7	E6	19020	Sidelever v7
4	19129	Shroud 247mm	A34	5105	O-ring 9,3x2,4 NBR90	E7	19037	Sidelever handle
4 – Ext	19142	Shroud 449mm	A35	19009	Guide M16	F1	19133	Dustcap mkII
A1	5108	O-ring 5,28x1,78 NBR70	A36 – Ext	19043	Regulator	F2		O-ring 26,51x3,53 NBR70
A2	19029	Pellet probe guide	A37	5111	O-ring 2,5x1,5 NBR90	F3	19016	Quick connector mkII
A3	11509	CPK 3h6x10	A38	7044	Valveseat	F4	5107	O-ring 2,9x1,78 PUR90
A4	5205	Screw M4x20	A38 – shp	19060	Valveseat Shp	F5	19005	Quick connect red pin
A5	1511	Rubberseal washer	A39	7015	Valvepin V7 complete	F6	1511	Rubber steel disc
A6	14015	Plastic washer 2x6,8	A39-shp	7019	Valvepin SHP complete	F7	19132	Alu detail verminator
A7	14008	Air bottle connector	A40	2528	O-ring 1,5x1 NBR70	F8	11507	Rubber steel washer
A8	11541	Hammerspring adjuster HP	A41	2525	Spring 0,6x4x15	F9	14005	Air cylinder connector
A9	11030	Hammerspring adjuster	A42	N/A		F10	17047	O-ring 11,91x2,62 NBR70
A10	5206	8x14x0.25 steel washer	A43	N/A		F11	12045	O-ring 13,95x2,62 NBR70
A11	11500	Hammer spring	A44	11060	Screw M3x18	F12	19158	Adapter M20-M12
A12	11540	Hammer weight v7	B1 – 4.5	2529	O-ring 4,3x1,5 NBR70	F13	12046	O-ring 15,88x2,62 NBR90
A13 – 4.5	19013	Black plastic bushing 4,5	B1 – 5.5	11650	O-ring 5,28x1,78 PUR70	F14	19056	Connector 1/8" MkII
A13 – 5.5	19012	Black plastic bushing 5,5	B1 – 6.35	4526	O-ring 6,35x1,27 NBR70	F15	12046	O-ring 15,88x2,62 NBR90
A13 – 6.35	19101	Black plastic bushing 6,35	B2	5112	O-ring 5,28x1,78 NBR70	F16	19036	Black plastic seal
A14	19039	Hammer v7	B3 – 4.5	2507	Barrel inlet .177	G1	19177	Trigger sear
A15	19031	M3 Special screw v7	B3 – 5.5	2506	Barrel inlet .22	G2	11504-2	Spring 0,4x2,5x15
A16	2534	Grubscrew M5x6 with tip	B3 – 6.35	19104	Barrel inlet .25	G3	11062	Triggeradjuster
A17	19086	Grubscrew M6x8	C1	19164	Copper pipe	G4	19151	Triggerdistans long
A18	2503	Grubscrew M5x8	C2	19135	Rubber steel disc	G5	12035	Grubscrew M2,5x2,5
A19 – Ext	19143	Barrelswitching knob	C3	19163	Copper pipe	G6	19136	Trigger Shoe
A20	11201	Grubscrew M5x4	D1	11503	Spring 0,5x2,5x4,4	G7	2500	Grubscrew 3x6
A21 – Ext	16041	Grubscrew M5x14	D2	11527	Steelball 3,175	G8	11525	Trigger roll
A22	2534	Grubscrew M5x6	D3	11633	Grubscrew M2,5x8	G9	2500	Grubscrew M3x6
A23	19103	Shroud mount rear	D4	11508	Grubscrew M3x8	G10	11524	Trigger Base
A24 – 4.5	19013	Barrel 4,5 285mm	D5	11207	Safety axel	G11	2504	Countersink M3x6
A24 – 5.5	12006	Barrel 5,5 285mm	D6	11625	Safety pin	H1		Grubb screw m4x12
A24 – 5.5	12006	Barrel 5,5 485mm	D7	11200	Safety knob	H2	12033	Stop screw 4x8 with tip
A24 – 6.35	19115	Barrel 6,35 485mm	E1	19021	Sidelever linkage v7	H3		05 25 61
A25	5113	O-ring 20,4x2,62 NBR70	E2	19042	CPK 2m6x8	H4	4066	Steelball 3mm
A26	19122	Muzzle mkII	E3 – 4.5	19011	Pelletprobe 4,5 v7	H5	2508	FS 3x10
A27	19128	Thread protection	E3 – 5.5	19010	Pelletprobe 5,5 v7	H6	16083	Outer Speed knob v7
A28	19040	CPK 2m6x24	E3 – 6.35	19102+19100	Pelletprobe 6,35 v7	H7	16082	Inner speed knob v8
A29	19121	Stock attachment	E4 – 4.5	19171	O-ring 4x2 NBR70	H8	19108	O-ring 8x1 NBR90
A30	5108	O-ring 5,28x1,78 NBR70	E4 – 5.5	19332	O-ring 5x2 NBR70	H9	19109	O-ring 4x1,5 NBR70