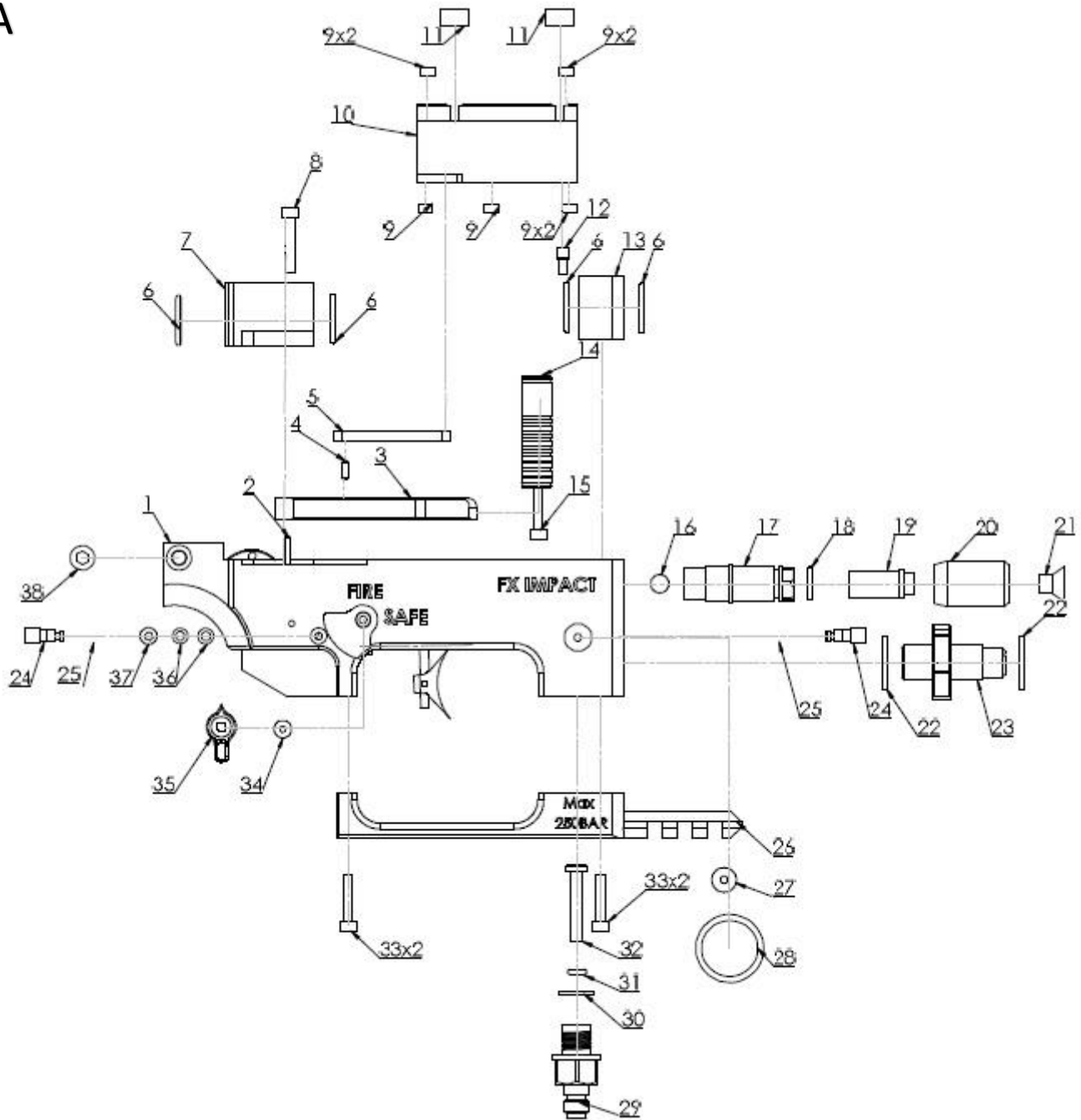


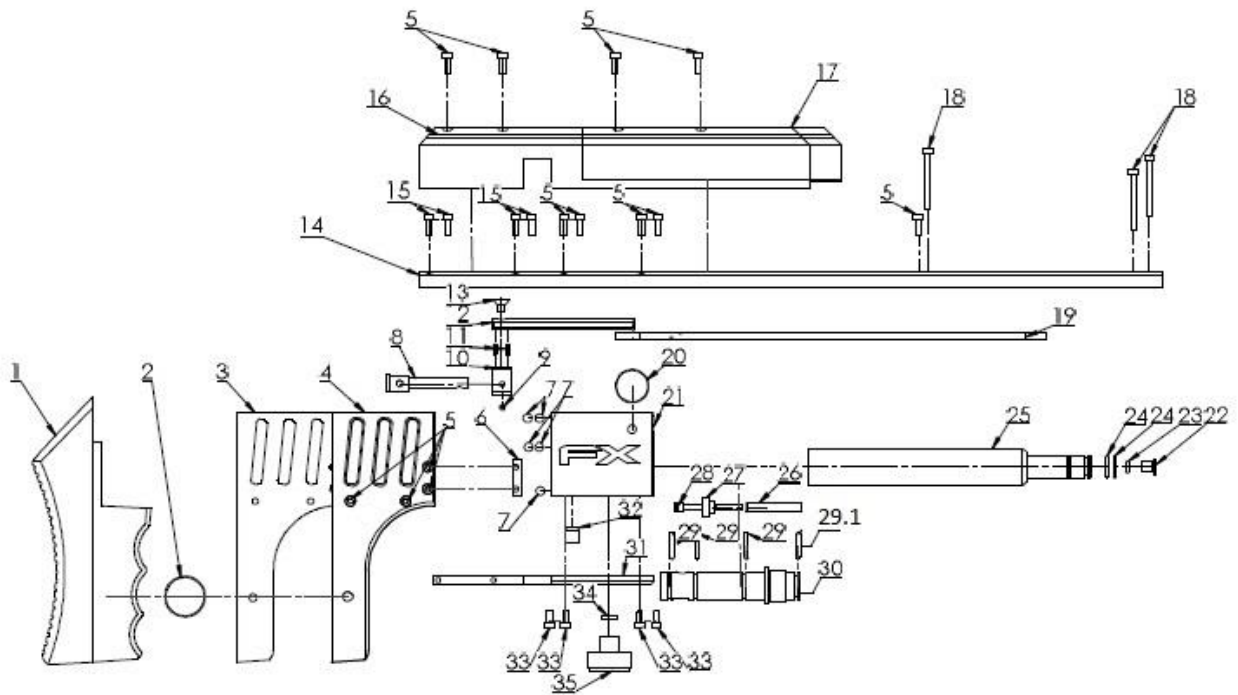
Model	Other model names	Date	Revision	Revision date
FX Impact		2018-06-19	EN.18.05	2019-07-29

A

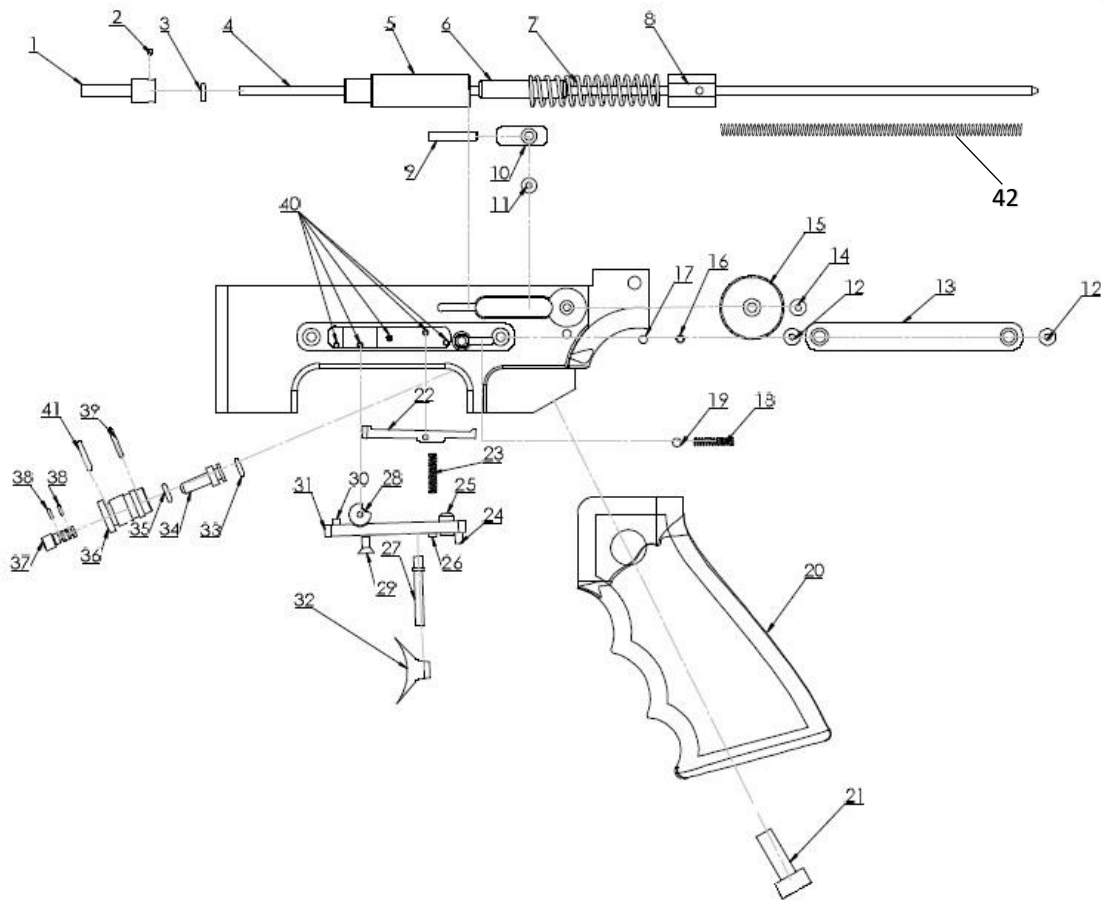


Model	Other model names	Date	Revision	Revision date
FX Impact		2018-06-19	EN.18.05	2019-07-29

B



C



Model	Other model names	Date	Revision	Revision date
FX Impact		2018-06-19	EN.18.05	2019-07-29

NO	ART. NO	DESCRIPTION	NO	ART. NO	DESCRIPTION
A1	19690	Trigger Block Impact	B22	19674	O-ring Stop Valve tube
A2	1501	CPK 2,5m6x24	B23	19768	O-ring 2,84x2,62 PUR 90
A3	19638	Cockinglever Impact	B24	19722	O-ring 9x1,5 NBR 70
A4	19026	CPK 2,5m6x6	B25	19615	Valvetube 20mm
A5	19021	Lever Linkage	B26	19603	Valve nut Impact
A6	19718	O-ring 14x1,5 NBR 70	B27	19217	Valvseat complete
A7	19650	Barrel Guiding back	B28	7064	Valvepin complete Impact
A8	19740	MC6S M3x22	B29	19677	O-ring 10,5x2 NBR 70
A9	19652	Delrin Puck 5	B29.1	19718	O-ring 14x1,5 NBR 70
A10	19691	Reloading block Impact	B30	19605-1	Valvehouse
A11	19653	Delrin Puck 9,9	B31	19630	Plate holder impact
A12	19672	Hammerpin	B32	19224	Grubscrew M8x8
A13	19651	Barrel guiding Front	B33	19713	MC6S M3x6
A14	19611	Cockinglever Handle	B34	19723	Plastic washer Impact
A15	11060	MC6S M3X18	B35	2043	Manometer 23mm impact
A16	11599	Rubberbaal 6,35 NBR90	C1	19604	Hammerseat
A17	19616	Valvestop Impact	C2	19741	Grub screw M2x2
A18	19722	O-ring 9x1,5 NBR 70	C3	5107	O-ring 2,9x1,78 PUR 90
A19	19668	Valve adjuster screw	C4	19647	Valverod
A20	19669	Valve Ajduster Impact	C5	19622	Hammer Impact
A21	19717	Countersunk screw m6x8	C6	19623	Spring guide Impact
A22	11507	Rubbersteel washer M12	C7	11500	Hammerspring v2
A23	19659	Bottle adapter impact	C8	19609	Spring holder Impact
A24	19694	Brass adapter impact.	C9	19683	Grub screw M3x18
A25	19761	O-ring 2,2x1 NBR 70	C10	19602	Hammer adjuster
A26	19689	Trigger guard impact	C11	19715	MC6S M3-0.5x5
A27	19762	X-ring 3,63x2,62 NBR 70	C12	2504	Countersunk M3x6
A28	2043	Manometer 23mm impact	C13	19693	Impact sprintholder
A29	16303	Quick connector male	C14	19712	Countersunk screw m3x10
A30	19720	O-ring 10x1 NBR 90	C15	19608	Power adjuster Impact
A31	5107	O-ring 2,9x1,78 PUR 90	C16	11501	Spring 0,5x2,5x6,1
A32	19005	Backvalve "blue"	C17	4066	Steel ball 3mm
A33	19479	MC6S M3x16	C18	11501	Spring 0,5x2,5x6,1
A34	2504	Countersunk screw M3x6	C19	4066	Steel ball 3mm
A35	19610	Safety Lever	C20	19710	Houge rubber grip
A36	19736	Delrin bushing 5,3	C21	19743	MC6S M6x16
A37	19715	MC6S M3-0.5x5	C22	19636	Triggercatch Impact
A38	14500	MC6S M5x16	C23	11504	Spring 0,32x3,2x14,4 v2.3
B1	19618	Impact Recoild-pad	C24	19742	Grub screw M3x8
B2	19728	Shoulderpad Adjuster screw	C25	11062	M5 secondstage std
B3	19646	Left plate impact	C26	2500	Grub screw M3x6
B4	19645	Right plate impact	C27	19613	Trigger pin Impact
B5	12610	MC6S M3x8	C28	11525	Triggerroll
B6	19606	Magazine holder Impact	C29	2504	Countersunk M3x6
B7	5110	Rubberball 4,75 NBR 70	C30	2500	Grub screw M3x6
B8	19620	Feeding pin impact 5,5	C31	19637	Triggerbase Impact
B9	19748	Grub screw M3x6, <i>until ser.no. 191084</i>	C32	19136	Adjustable triggerblade
B9	19643	Grub screw, Feeding pin, M4, <i>from serial no.191084</i>	C33	19109	O-ring 4x1,5 NBR 70
B10	19614	Feedingpin holder, <i>revision 4, until serial No. 191084, (use with 19748)</i>	C34	19696	Regulator rod
B10	19614	Feedingpin holder, <i>revision 5, from serial no. 191084, (use with 19643)</i>	C35	19109	O-ring 4x1,5 NBR 70
B11	19601	CPK 2h6x6	C36	19697	Regulator house, <i>until serial no. 183534</i>
B12	19612	Feedingpin Guide	C36	19697-1	Regulator house, <i>from ser.no. 183534</i>
B13	2505	Countersunk screw m4x10	C37	19695	Regulator screw
B14	19642	Guiding Plate Impact	C38	19731	O-ring 2x1 NBR 90
B15	2527	MC6S M3x10	C39	19763	O-ring 9x1,5 NBR 90, <i>until serial no. 183534</i>
B16	19633	Cheekrest Back	C39	19790	O-ring 10x1,5 NBR90, <i>from ser.no. 183534</i>
B17	19634	Cheekrest Front	C40	19040	CPK 2m6x24
B18	11506	MC6S M3x30	C41	4528	O-ring 7,66x1,78 NBR 70 <i>until ser. no. 183534</i>
B19	19667	Reloading Bar	C41	19225	O-ring 7,5x2 NBR70, <i>from ser.no. 183534</i>
B20	19729	Barrel lock screw	C42	19735	Spring 0,75x5x175
B21	19698	Rear block Impact			