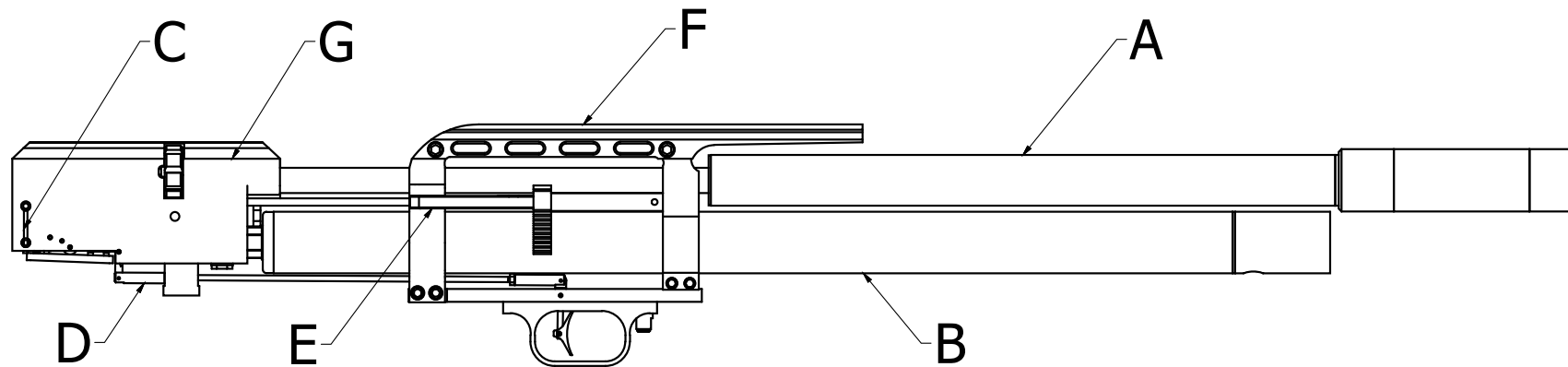
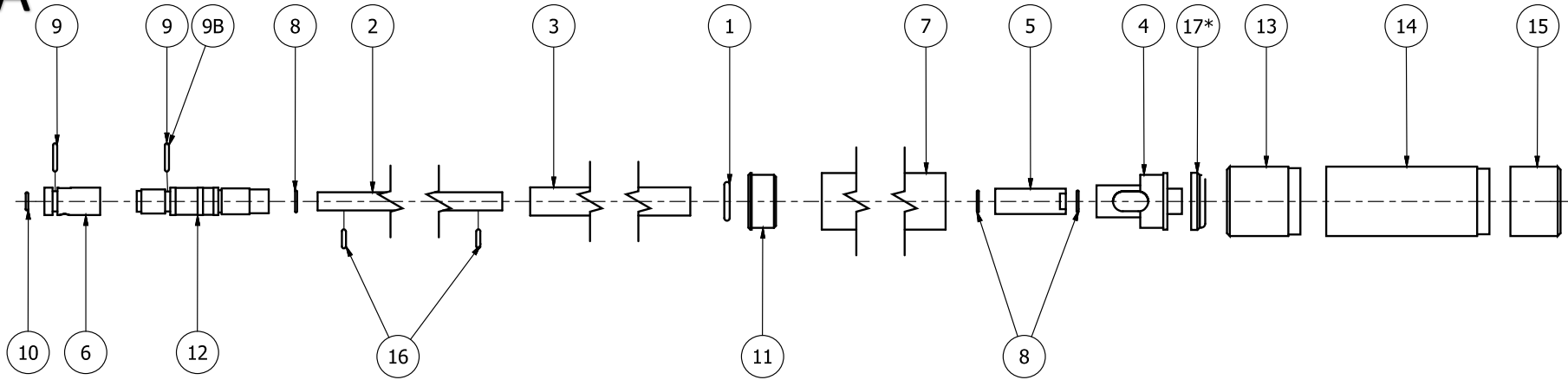


Model	Other model names	Date	Revision	Revision date
FX Wildcat MKII		2019-11-26	EN.19.02	2019-11-26



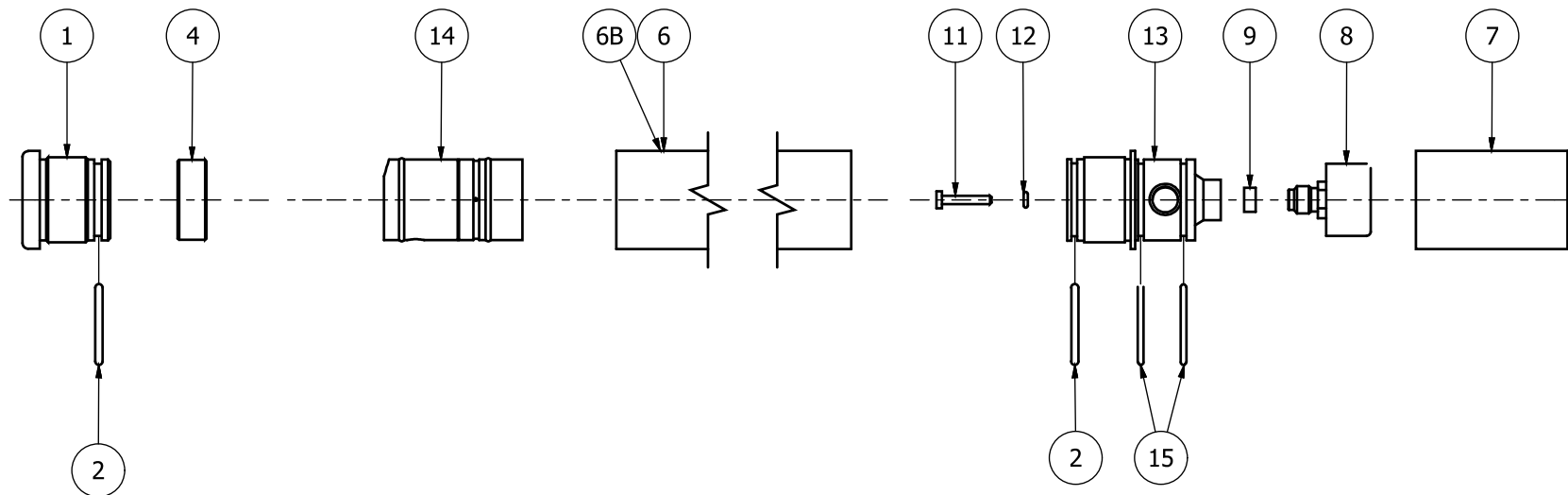
Model	Other model names	Date	Revision	Revision date
FX Wildcat MKII		2019-11-26	EN.19.02	2019-11-26

A



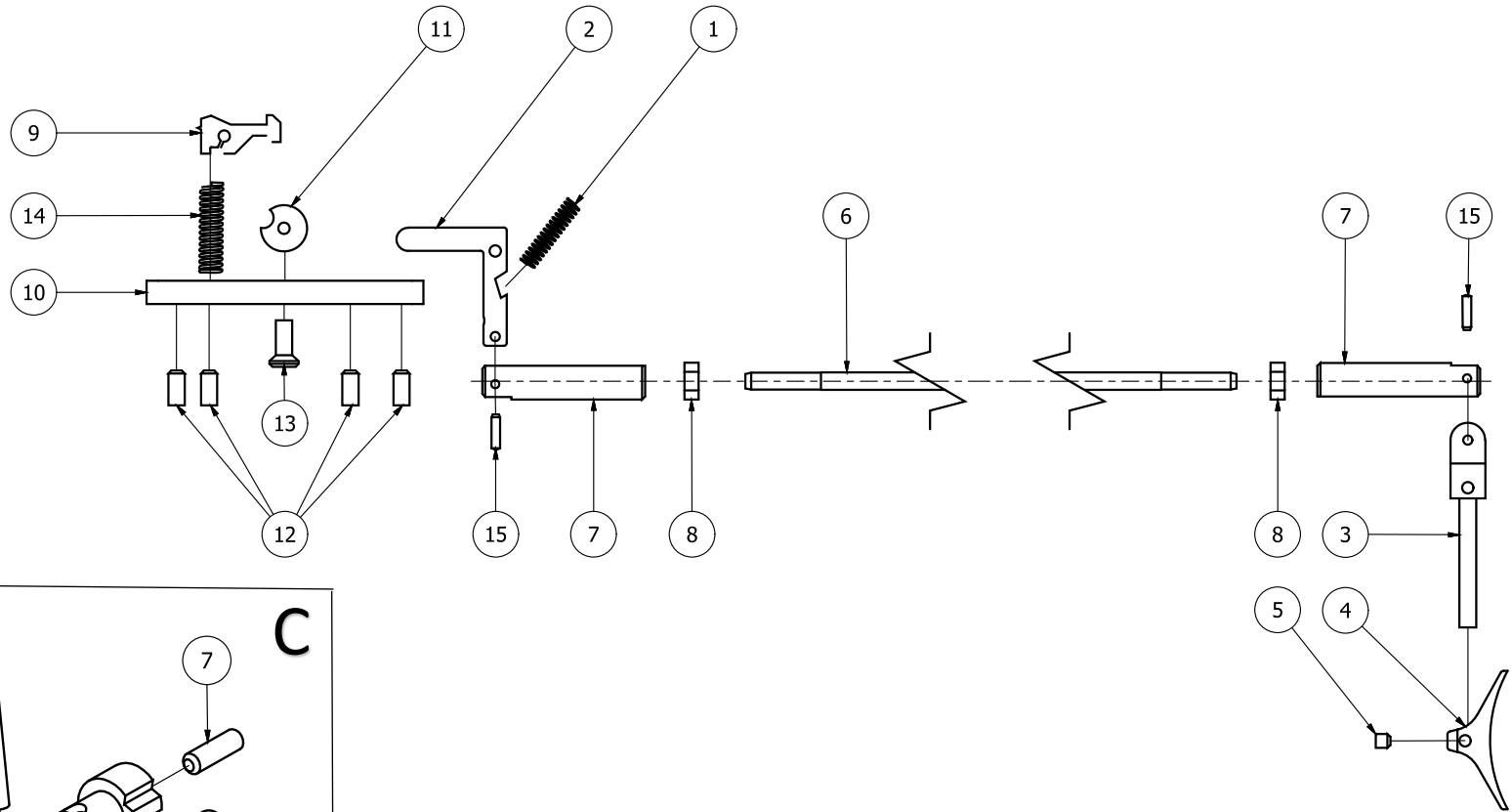
* = Only on 10J, CAN and AUS models

B

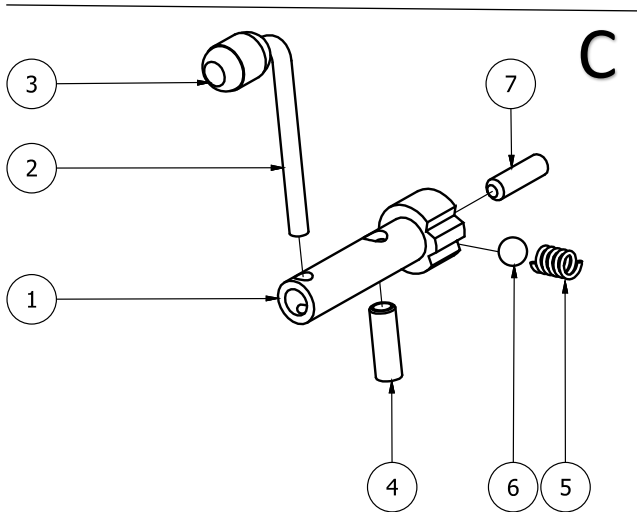


Model	Other model names	Date	Revision	Revision date
FX Wildcat MKII		2019-11-26	EN.19.02	2019-11-26

D

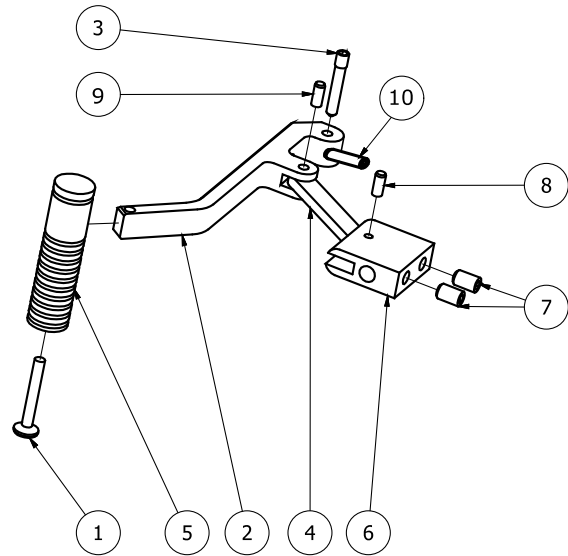


C

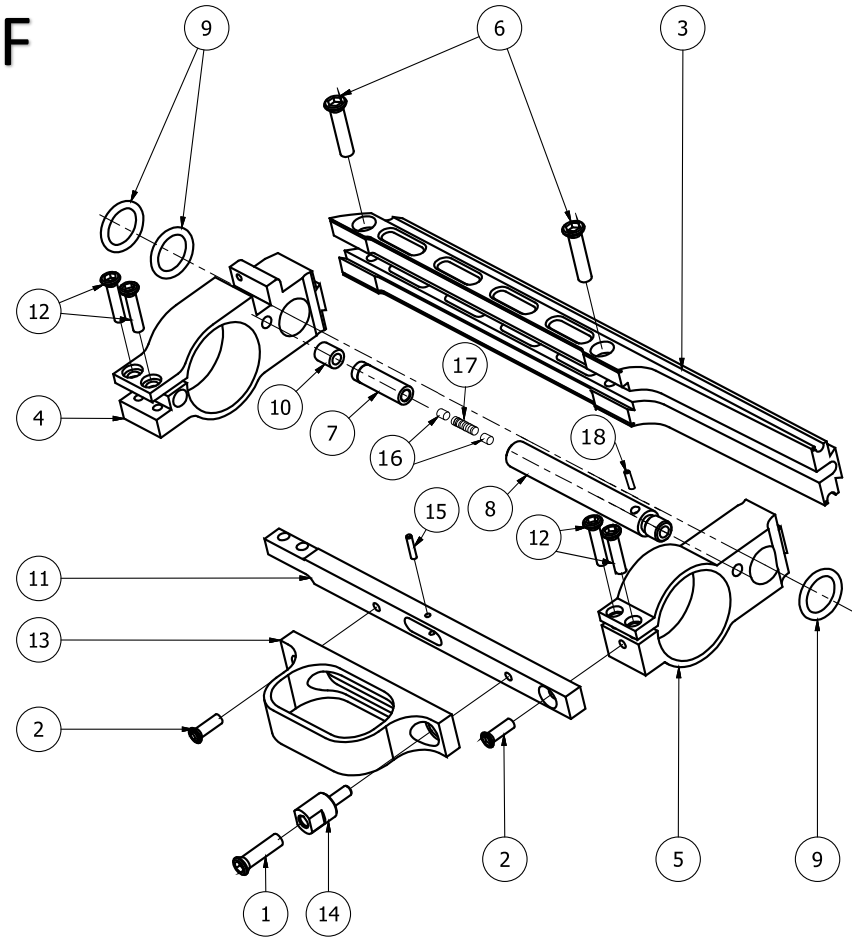


Model	Other model names	Date	Revision	Revision date
FX Wildcat MKII		2019-11-26	EN.19.02	2019-11-26

E

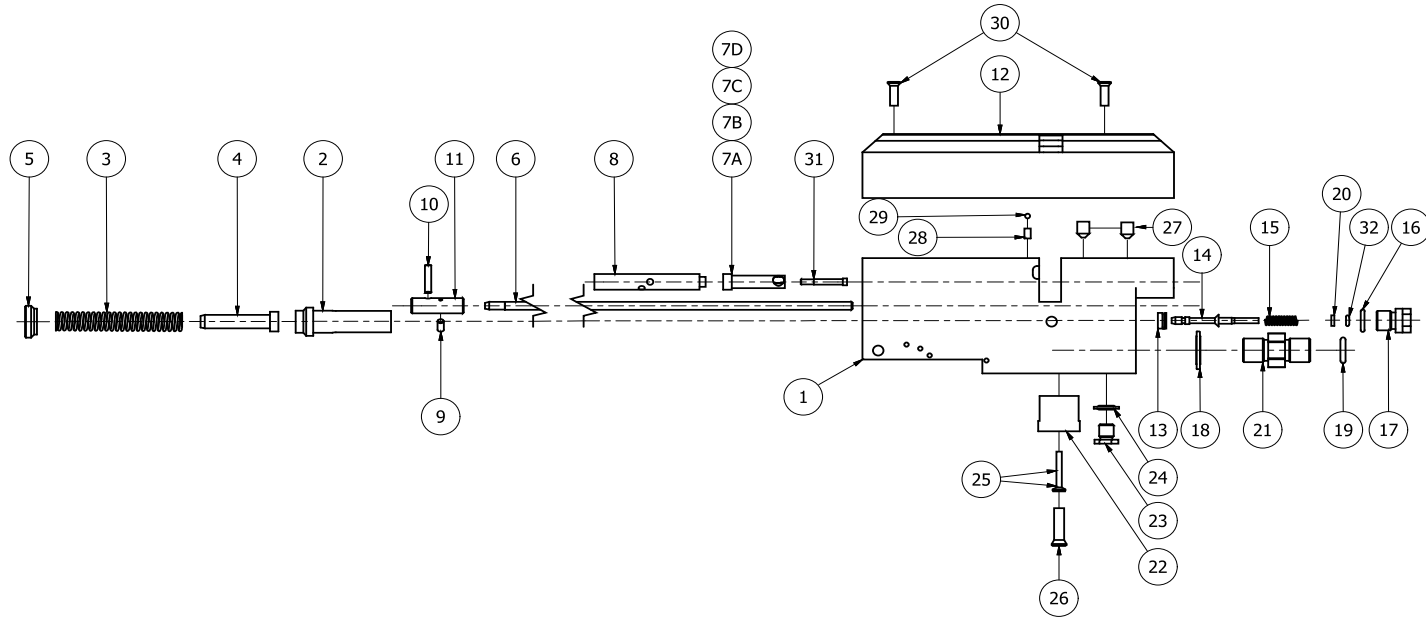


F

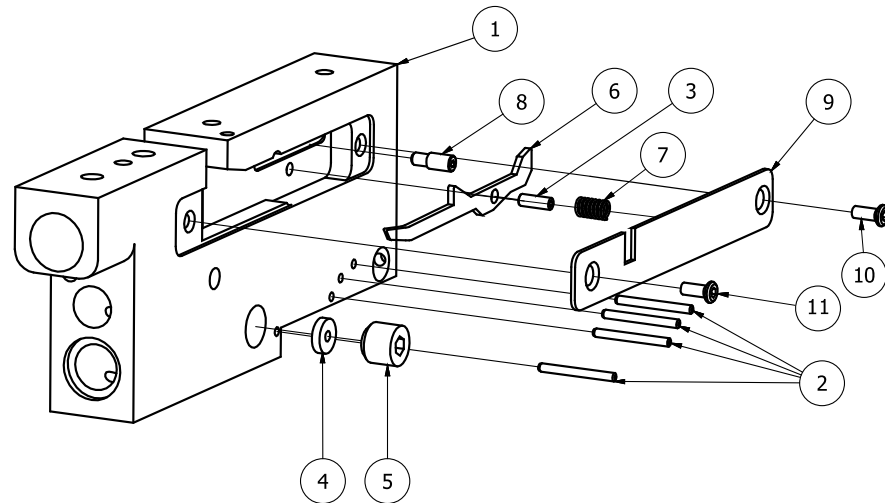


Model	Other model names	Date	Revision	Revision date
FX Wildcat MKII		2019-11-26	EN.19.02	2019-11-26

G1



G2



Model	Other model names	Date	Revision	Revision date
FX Wildcat MKII		2019-11-26	EN.19.02	2019-11-26

NO	ART. NO	DESCRIPTION	NO	ART. NO	DESCRIPTION	NO	ART. NO	DESCRIPTION
A-Barrel .177			B1	19543	Rear Tube End Wildcat	G1-7A	19578	Pellet Probe .25 WC MKII
A1	12045	O-ring 13,95x2,62 NBR 70	B2	19485	O-ring 23 x 2,5 NBR 70	G1-7B	19520	Pellet Probe .177 WC MKII
A2	19964	STX Liner .177	B3		N/A	G1-7C	19577	Pellet Probe .22 WC MKII
A3	19973	Tube 14 x 1 x 435mm	B4	19514	Regulator Spacer	G1-7D	19494	Pellet Probe .30 WC MKII
A4	19750	End Cap Shroud	B5		N/A	G1-8	19576	Pelletprobe Base Wildcat MKII
A5	19968	Liner Lock .177	B6	19556	Tube 570mm	G1-9	19491	Cylindrical Pin 3m6x6
A6	19628	Barrel Inlet .177	B6B	19555	Tube 410mm	G1-10	19490	Cylindrical Pin 3h6x14
A7	19573	Shroud 230mm	B7	19544	Dust Cover Wildcat	G1-11	19501	Aligner
A8	19837	O-ring 7 x 1 NBR 70	B8	11505	Preassure Gauge 25mm 1/8"	G1-12	19531	Wildcat Cheek Piece 2018
A9	19703	O-ring 10 x 2 NBR 70	B9	5003	Plastic Washer 4mm 1/8"	G1-13	19060	Valve Seat SHP Complete
A10	2529	O-ring 4,3 x 1,5 NBR 70			N/A	G1-14	7052	Valve Pin Wildcat SHP Cpl.
A11	19588	Shroud Start Wildcat MKII	B11	19329	Inlet Valve Rod "gold"	G1-15	2525	Spring 0,6 x 4 x 15*
A12	19960	Barrel Attachment .177	B12	5111	O-ring 2,5 x 1,5 NBR 90	G1-16	4528	O-ring 7,66 x 1,78 NBR 70
A13	19997	Shroud Start 35mm UNF 1/2"	B13	19542	Front Tube End Preassure Gauge	G1-17	19508	Valvehousing
A14	19680	Shroud Mid Part 35mm UNF 1/2"	B14	20199	Regulator Complete	G1-18	11507	Rubber/Steel Washer
A15	19662	Shroud Endcap 35mm .22 UNF 1/2"	B15	19484	O-ring 24 x 2 NBR70	G1-19	19486	O-ring 8,3 x 2,4 NBR 70
A16	19958	O-ring 6,02 x 2,62 NBR 70	C1	19498	Spring 0,2 x 2,5 x 13,1	G1-20	19550	Valve Bushing 5,4mm
			C2	19527	Wildcat L Triggerpart	G1-21	19505	Connector M12 x 1
A-Barrel .22			C3	19506	Trigger Mount	G1-22	19515	Stock Mount
A1	12045	O-ring 13,95x2,62 NBR 70	C4	19136	Adjustable Trigger Blade	G1-23	19510	Plug M7
A2	19965	STX Liner .22	C5	12035	Grub Screw M2,5x2,5	G1-24	19499	RubberSteel Washer M7
A3	19973	Tube 14 x 1 x 435mm	C6	19518	Trigger Rod Wildcat	G1-25	11060	Socket head cap Screw M3x18
A4	19750	End Cap Shroud	C7	19574	Metal Clevis M3	G1-26	19483	Countersunk Screw M5x16
A5	19969	Liner Lock .22	C8	19482	Nut M3	G1-27	19086	Conical Grub Screw M6x8
A6	19590	Barrel Inlet .22	C9	19177	Trigger Sear v7.8.12	G1-28	16100	Magnet 3x5
A7	19573	Shroud 230mm	C10	19528	Triggerbase Wildcat	G1-29	19185	Steel Ball 2.38
A8	19117	O-ring 8 x 1 NBR 70	C11	11525	Trigger Wheel	G1-30	15032	Socket head cap screw M4x8
A9	19703	O-ring 10 x 2 NBR 70	C12	2500	Grub Screw M3x6	G1-31	19579	Pelletprobe Screw Wildcat MKII
A10	19952	O-ring 5,5 x 1,5 NBR 70	C13	2504	Countersunk Screw M3x6	G1-32	5102	O-ring 2,57 x 1,78 NBR 90
A11	19588	Shroud Start Wildcat MKII	C14	5204	Spring 0,5 x 3 x 15	G2-1	19599	Main Block Wildcat
A12	19961	Barrel Attachment .22	C15	19585	Cylindrical Pin 1,5m6x6	G2-2	11502	Cylindrical pin 2h6x20
A13	19997	Shroud Start 35mm UNF 1/2"	D1	19513	Safety Pivot	G2-3	19742	Grub Screw M3x8
A14	19680	Shroud Mid Part 35mm UNF 1/2"	D2	19584	Safety Lever Wildcat	G2-4	5005	Plastic Washer 2mm 1/8"
A15	19662	Shroud Endcap 35mm .22 UNF 1/2"	D3	11200	Safety Knob	G2-5	19548	Brass Plug G1/8
A16	19952	O-ring 5,23 x 2,62 NBR 70	D4	19742	Grub Screw M3x8	G2-6	19571	Index Lever
			D5	11503	Spring 0,5x2,5x4,4	G2-7	2520	Spring 0,5 x 4 x 7
A-Barrel .25			D6	4066	Steel Ball 3.0	G2-8	19549	Indexing M3 Screw
A1	12045	O-ring 13,95x2,62 NBR 70	D7	11633	Grub Screw M2,5 x 8	G2-9	19572	Side Plate Wildcat
A2	19966	STX Liner .25	E1	11060	Socket Head Cap Screw M3x18	G2-10	2504	Countersunk Screw M3x6
A3	19972	Tube 14 x 1 x 550mm	E2	19529	Side Lever Wildcat	G2-11	2552	Countersunk screw M3x4
A4	19750	End Cap Shroud	E3	19034	Screw M3 Special			

Model	Other model names	Date	Revision	Revision date
FX Wildcat MKII		2019-11-26	EN.19.02	2019-11-26

A5	19970	Liner Lock .25	E4	19021	Side Lever Linkage	10J / 12FP		
A6	19670	Barrel Inlet .25	E5	19611	Side Lever Handle B2-IM-WC	G1-3	16024	Hammerspring v3,v4
A7	19099	Shroud 345mm	E6	19507	Slide Mount Reloading	G1-15	19580	Spring 0,75 x 4 x 20
A8	19954	O-ring 9 x 1 NBR 70	E7	2637	Grub Screw M4 x 6 Flat	A-17	19128	Thread Cover M20
A9	19703	O-ring 10 x 2 NBR 70	E8	19042	Cylindrical Pin 2m6x6			
A10	2575	O-ring 6,35 x 1,27 NBR 70	E9	19026	Cylindrical Pin 2m6x6			
A11	19588	Shroud Start Wildcat MKII	E10	12033	Conical grub screw M4x8			
A12	19962	Barrel Atttachment .25	F1	19483	Countersunk Screw M5x16			
A13	19997	Shroud Start 35mm UNF 1/2"	F2	2505	Countersunk Screw M4x10			
A14	19680	Shroud Mid Part 35mm UNF 1/2"	F3	19525	Wildcat Rail			
A15	19663	Shroud Endcap 35mm .25 UNF 1/2"	F4	19523	Rear Barrel Support			
A16	19953	O-ring 5,5 x 2 NBR 70	F5	19524	Front Barrel Support			
			F6	4509	Socket Head Cap Screw M5 x 20			
A-Barrel .30			F7	19540	Long Reloading Rod Bushing			
A1	12045	O-ring 13,95x2,62 NBR 70	F8	19511	Reloading Rod Guide			
A2	19966	STX Liner .30	F9	12045	O-ring 13,95x2,62 NBR 70			
A3	19972	Tube 14 x 1 x 550mm	F10	19541	Short Bushing For Reloading Rod			
A4	19750	End Cap Shroud	F11	19526	Trigger Plate Wildcat			
A5	19971	Liner Lock .30	F12	5201	Socket Head Cap Screw M4x16			
A6	19671	Barrel Inlet .30	F13	15008	Trigger Guard HW98			
A7	19099	Shroud 345mm	F14	19547	Stock Attachment M5-M4			
A8	19145	O-ring 10 x 1 NBR 70	F15	19213	Cylindrical Pin 2h6x10			
A9	19703	O-ring 10 x 2 NBR 70	F16	19586	Spring aligner			
A9B	19210	O-ring 11 x 1,5 NBR 70	F17	5204	Spring 0,5x3x15			
A10	5125	O-ring 7,5 x 1,5 NBR 70	F18	12033	Conical grub screw M4x8			
A11	19588	Shroud Start Wildcat MKII	G1-1	19599	Main Block Wildcat			
A12	19963	Barrel Atttachment .30	G1-2	19039	Hammer V7			
A13	19997	Shroud Start 35mm UNF 1/2"	G1-3	11500	Hammerspring*			
A14	19680	Shroud Mid Part 35mm UNF 1/2"	G1-4	19215	Hammerweight 4mm			
A15	19664	Shroud Endcap 35mm .30 UNF 1/2"	G1-5	11030	Hammer Spring Adjuster			
A16	5125	O-ring 6,5 x 1,5 NBR 70	G1-6	19516	Reloading Rod			