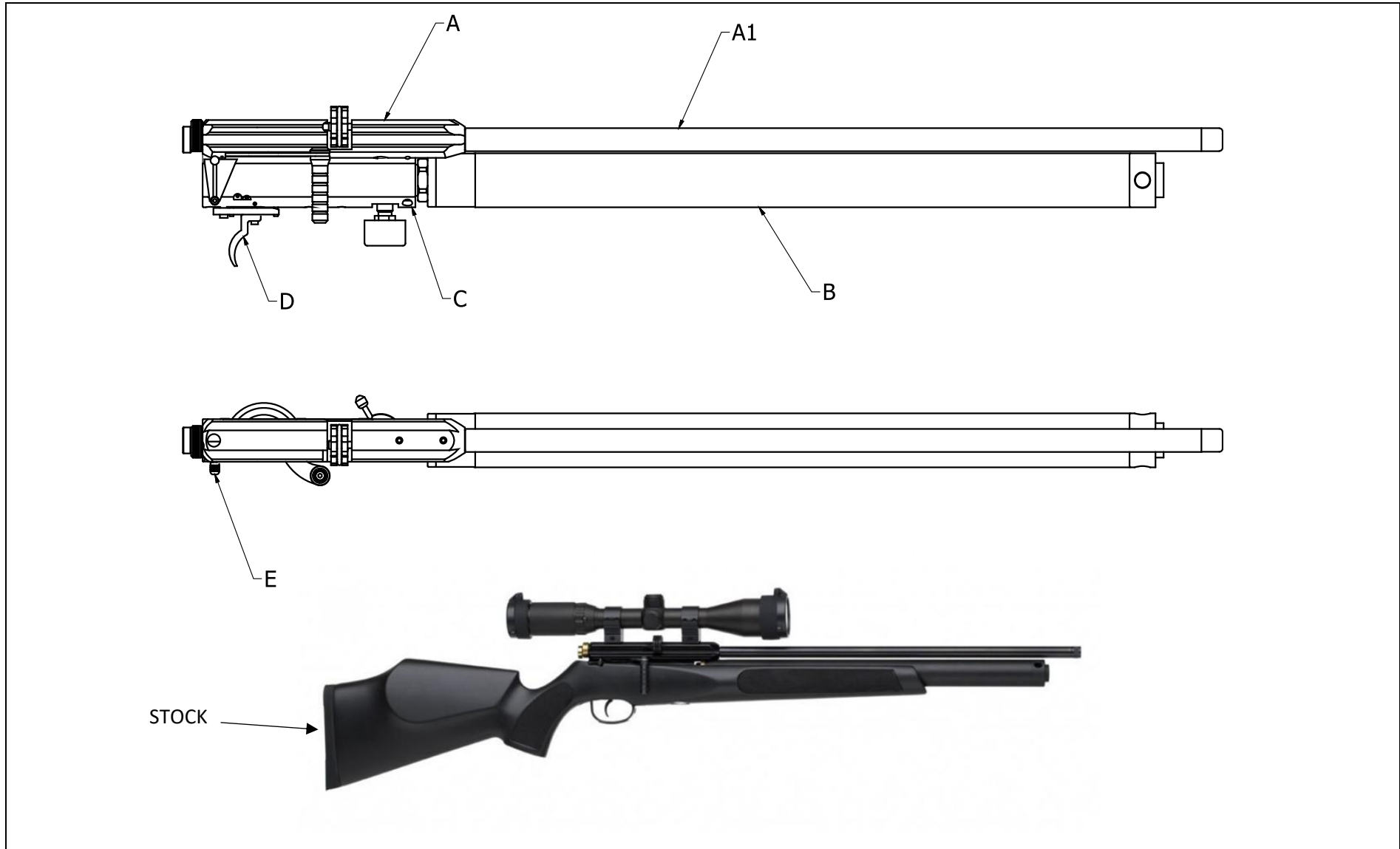
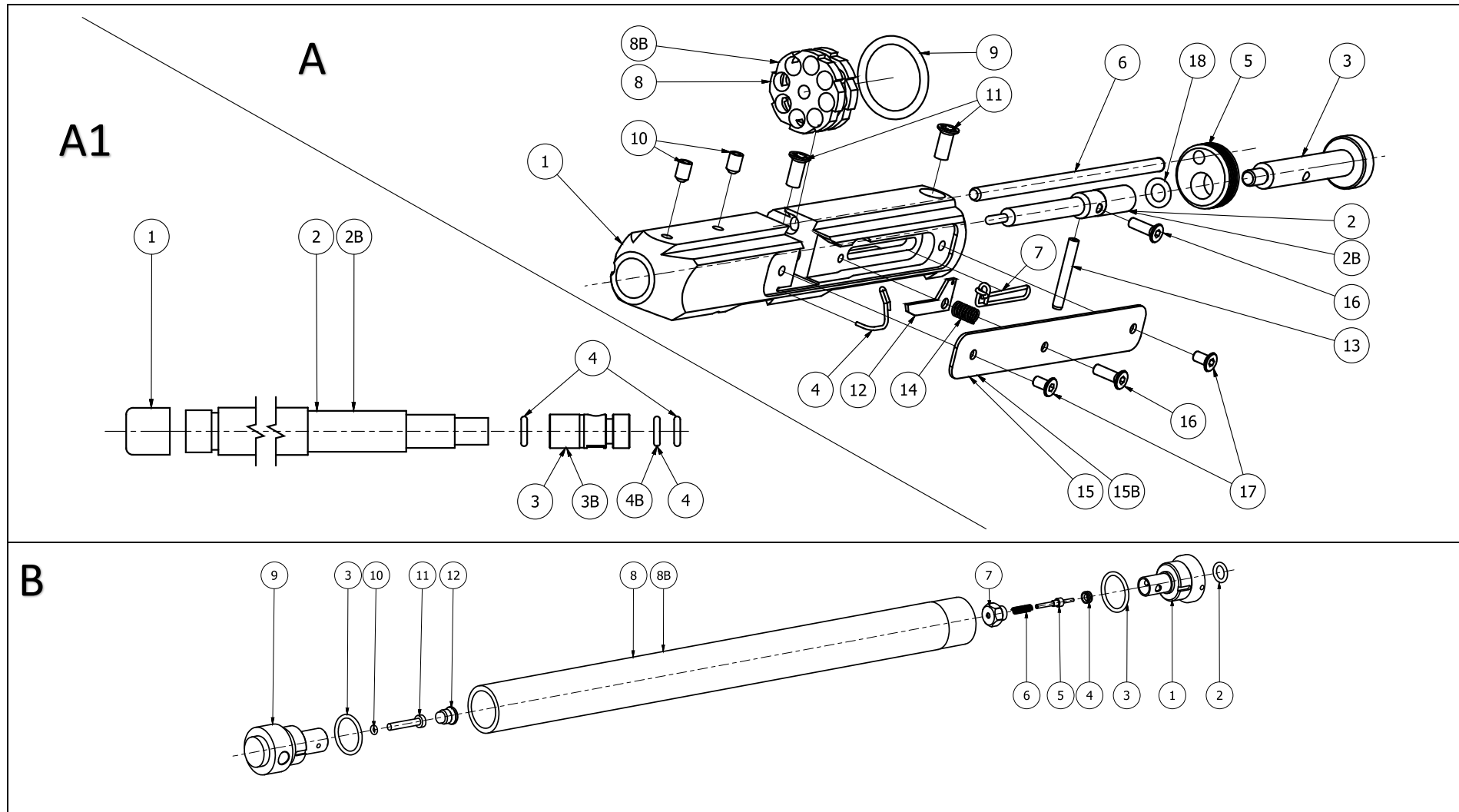


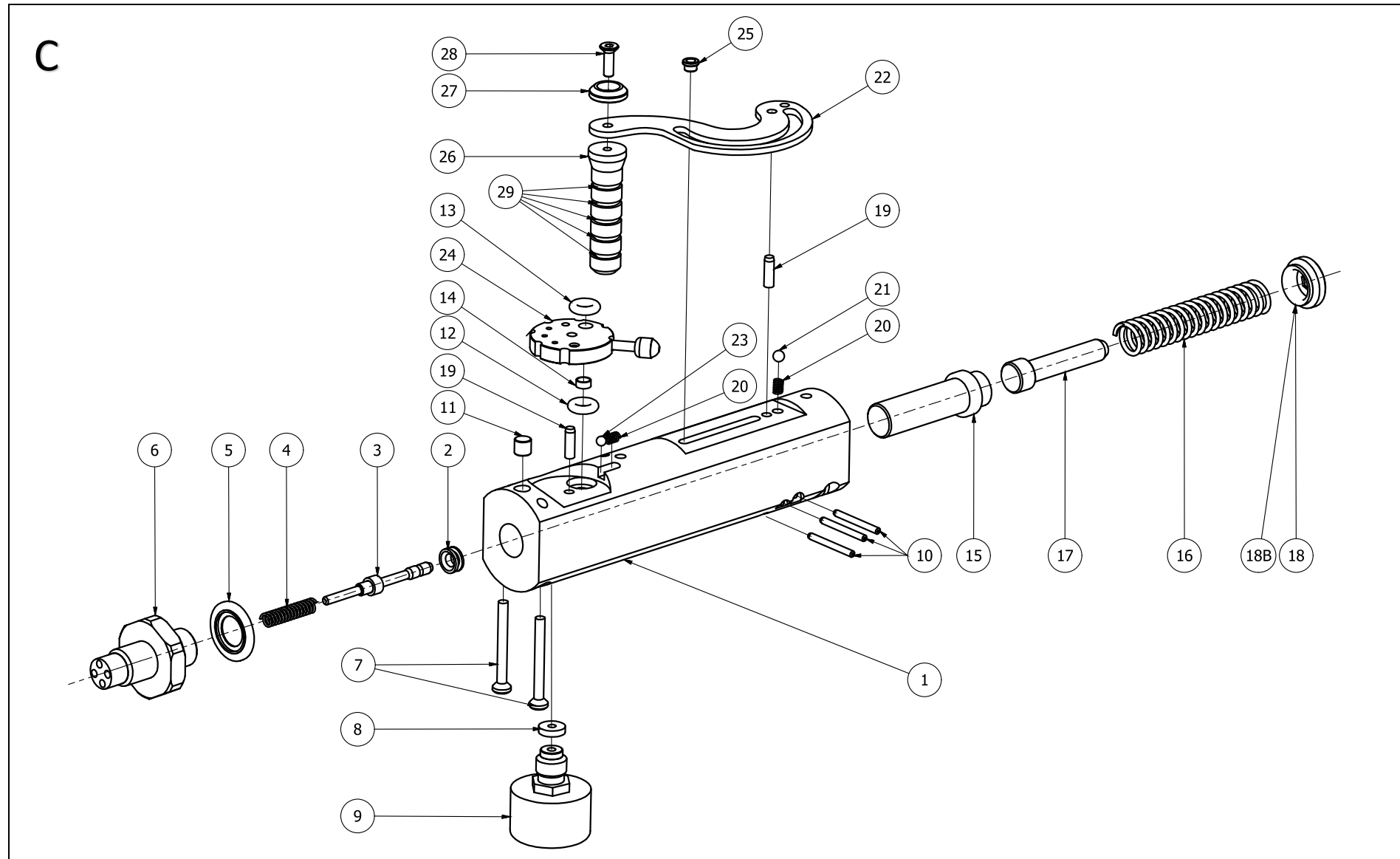
Model	Other model names	Date	Revision	Revision date
Cyclone		2019-12-12		2019-12-12



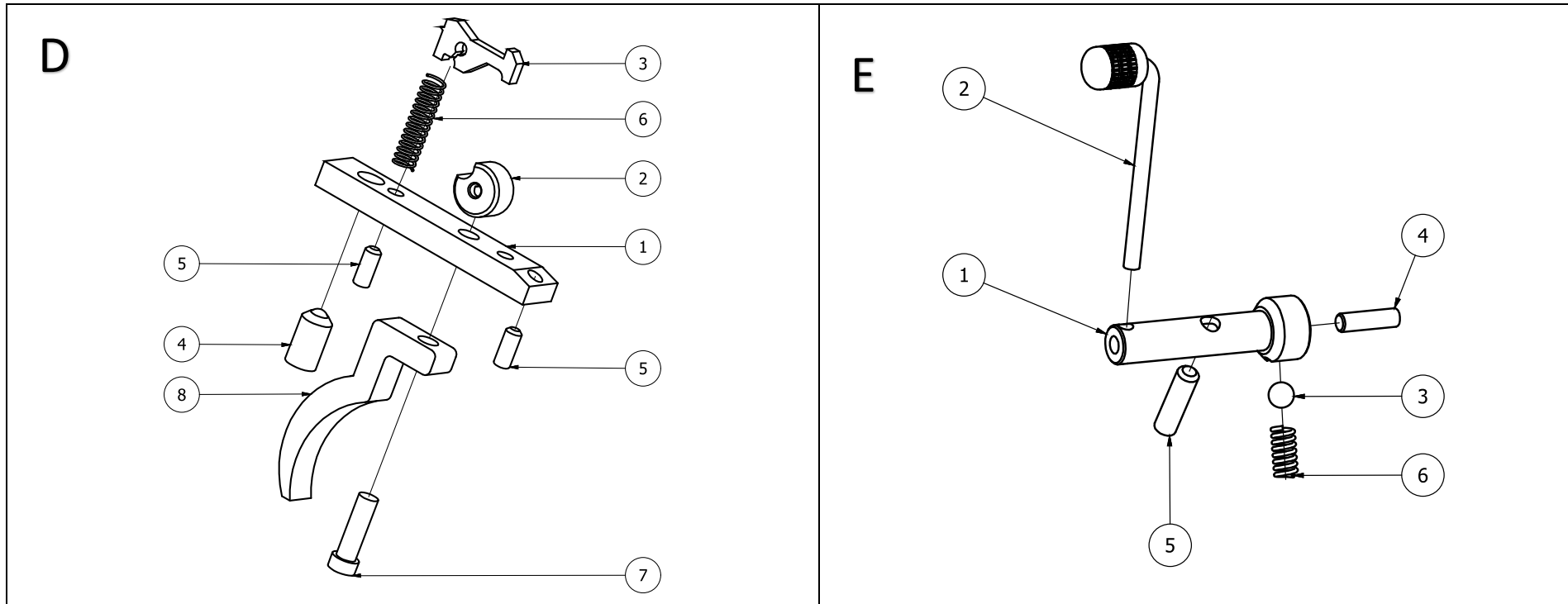
Model	Other model names	Date	Revision	Revision date
Cyclone		2019-12-12		2019-12-12



Model	Other model names	Date	Revision	Revision date
Cyclone		2019-12-12		2019-12-12



Model	Other model names	Date	Revision	Revision date
Cyclone		2019-12-12		2019-12-12



Model	Other model names	Date	Revision	Revision date
Cyclone		2019-12-12		2019-12-12

NO	ART. NO	DESCRIPTION	NO	ART. NO	DESCRIPTION	NO	ART. NO	DESCRIPTION
A1	11045	Barrelhousing V2	B12	19035	Plug 1/8"	E3	11527	Steel Ball 3.175
A2	11048	Pellet Prod .177	C1	11044	Main Body	E4	11633	Grub Screw M2,5x8
A2B	11025	Pellet Prod .22	C2	7044	Valve Seat Complete	E5	11508	Grub Screw M3x10
A3	11012	Thumb Return Screw	C3	7034	Valve pin complete V1,3,6	E6	11501	Spring 0,5x2,5x6,1 Sä-Sp
A4	2029	Magazine Stop	C4	11627	Spring 0,6x4x20 HV	Stock	11534	Synthetic Stock
A5	11004	Magazine Release Grip	C5	11507	Rubber/Steel washer M12	Stock	12603	Walnut Stock
A6	11022	Magazine Pin	C6	11032	Air Cylinder Connector			
A7	11516	Index Lever Connector	C7	11506	Socket head cap screw M3x30			
A8	11051	Magazine .177	C8	5005	Plastic Washer 2mm 1/8"			
A8B	11050	Magazine .22	C9	11505	Preasure Gauge 25mm 1/8"			
A9	5101	O-ring 20 x 2,5 NBR 70	C10	11502	Cylindrical Pin 2h6x20			
A10	2501	Grub Screw M4x6	C11	11626	Spacer 4,8			
A11	11511	Countersunk Screw M4x8 Torx	C12	1504	O-ring 4,42 x 2,62 NBR 70			
A12	11041	Index Lever	C13	11623	O-ring 4,42 x 2,62 NBR 90			
A13	11514	Cylindrical Pin 3m6x22	C14	11536	Air Transfer Port - High Flow			
A14	2520	Spring 0,5x4x7	C15	11023	Hammer			
A15	12023	Sideplate FX Cyclone .177	C16	11500	Hammer Spring			
A15B	11521	Sideplate FX Cyclone .22	C17	11540	Hammer Weight			
A16	2508	Screw M3x10	C18	11030	Hammer Spring Adjuster .177			
A17	2504	Screw M3x6	C18B	11541	Hammer Spring Adjuster .22			
A18	5108	O-ring 5,28 x 1,78 PUR 70	C19	11509	Cylindrical Pin 3h6x10			
A1-1	11038	Muzzle End Cap 14mm	C20	11503	Spring 0,5x2,5x4,4			
A1-2	12030	Barrel .177 14mm	C21	11547	Steel Ball 3.5			
A1-2B	12006	Barrel .22 - 14mm	C22	11033	Sidelever			
A1-3	2056	Brass Barrel Inlet	C23	4066	Steel Ball 3.0			
A1-4	5112	O-ring 5,28 x 1,78 NBR 70	C24	11020	Power adjuster blank			
A1-4B	2529	O-ring 4,3 x 1,5 NBR 70 (.177)	C25	12028	Sidelever Bearing			
B1	11035	Air Cylinder End (Brass)	C26	11016	Cocking Handle			
B2	5105	O-ring 9,3 x 2,4 NBR90	C27	11018	Sidelever Washer			
B3	11624	O-ring 22 x 2,5 NBR 70	C28	2527	Screw M3x10			
B4	7044	Valve Seat Complete	C29	5112	O-ring 5,28 x 1,78 PUR 70			
B5	7018	Valve Pin Air Tube Complete	D1	11524	Trigger Base			
B6	2525	Spring 0,6x4x15	D2	11525	Trigger Wheel			
B7	11013	Valve Pin Nut	D3	11031	Trigger Sear			
B8	11024	N/A	D4	11015	Trigger Adjust Screw M5			
B8B	11535	N/A	D5	2504	Grub Screw M3x6			
B8	16017	390mm Air cylinder	D6	11504	Spring 0,32x3,2x14,4 v2.3			
B9	11029	Air Cylinder End Inlet	D7	2527	Screw M3x10			
B10	5107	O-ring 2,9 x 1,78 PUR 90	D8	2020	Trigger Blade			
B11	11615	High Performance Inlet Valve	E1	11027	Safety Pivot			