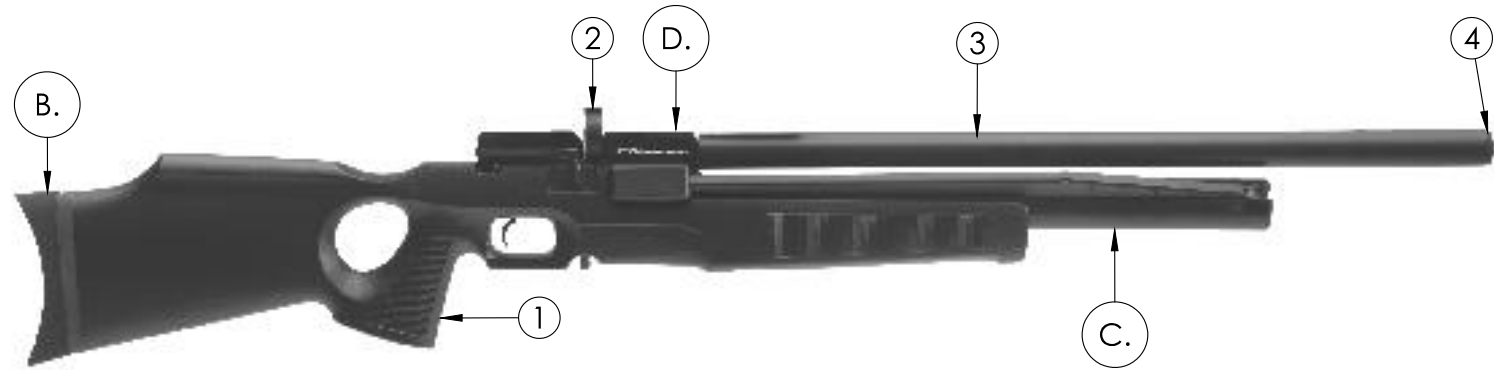
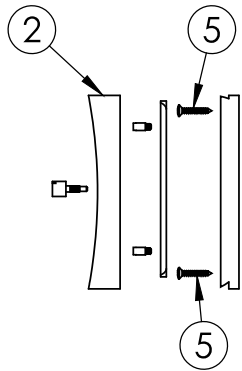


Model	Other model names	Date	Revision	Revision date
Independence		2019-12-05	-	

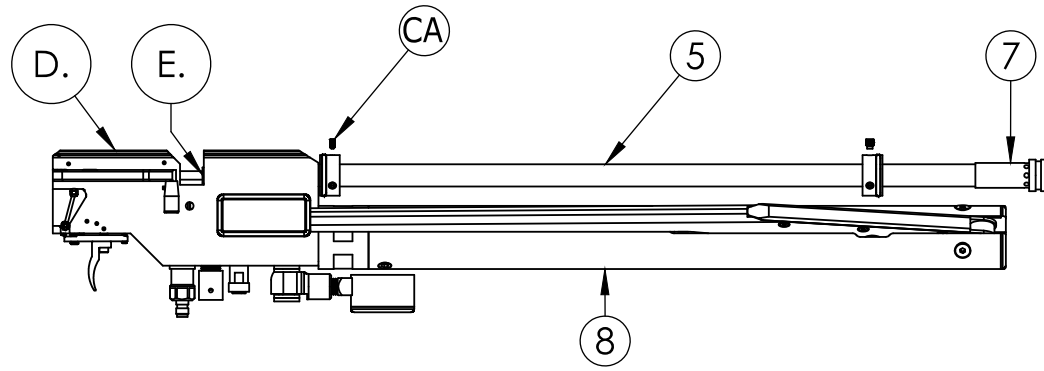
A
B
C
D



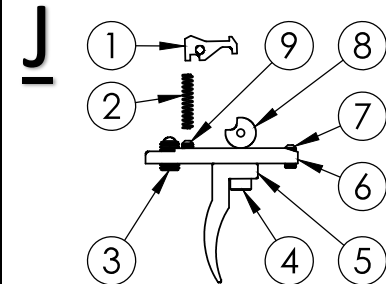
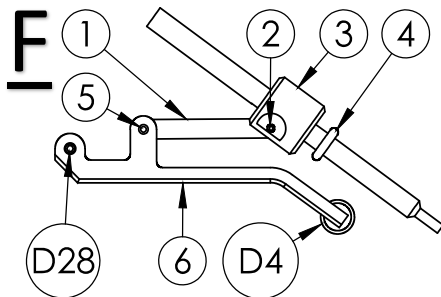
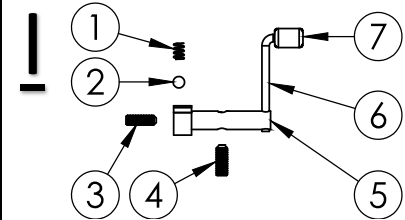
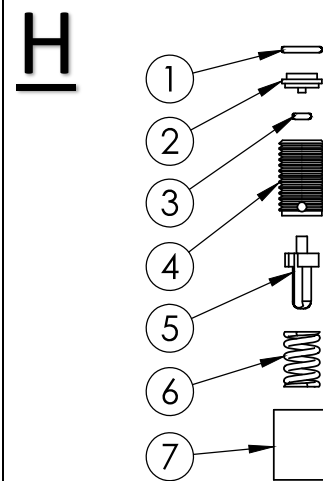
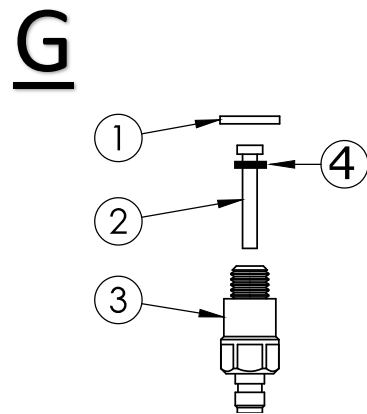
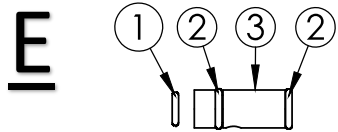
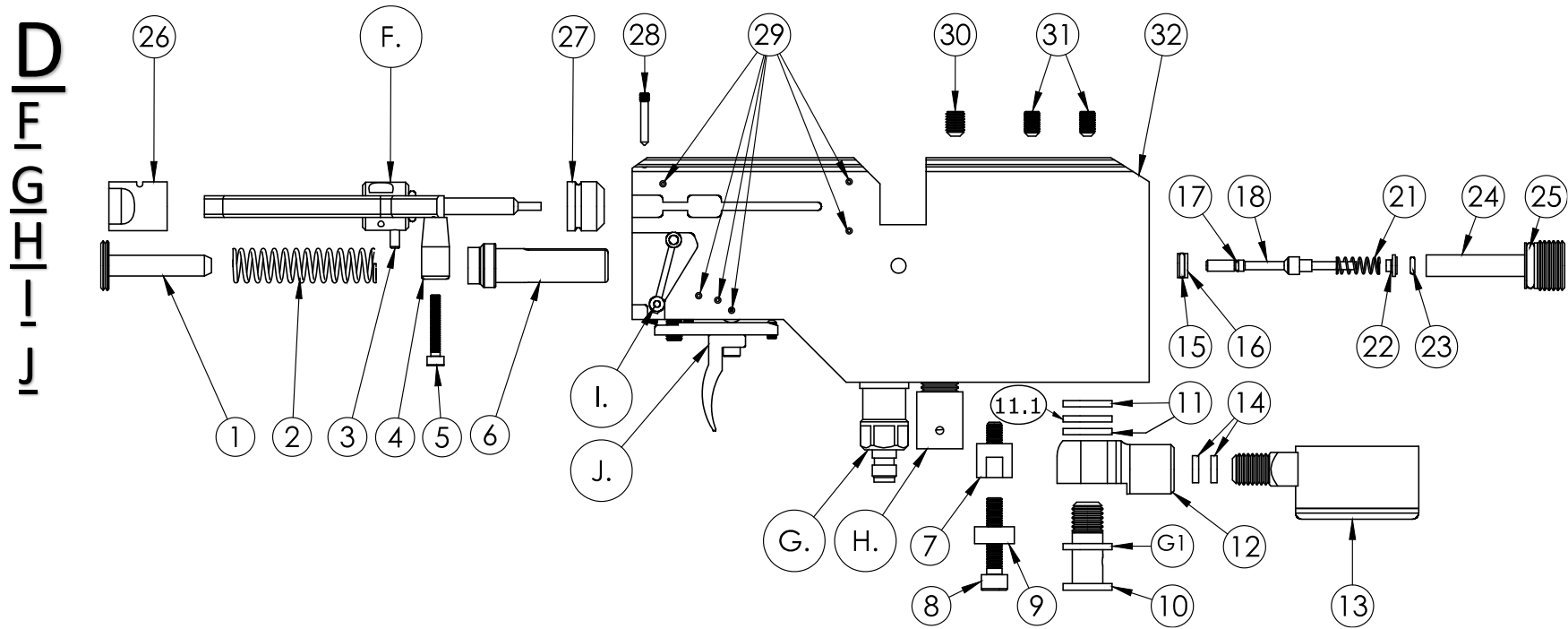
B



C
D
E



Model	Other model names	Date	Revision	Revision date
Independence		2019-12-05	-	



Model	Other model names	Date	Revision	Revision date
Independence		2019-12-05	-	

NO	ART. NO	DESCRIPTION	NO	ART. NO	DESCRIPTION	NO	ART. NO	DESCRIPTION
A1	19080	Stock Independence	D17	2528	O-ring 1,5 x 1,0 NBR 70	F4	19225	.30 - O-ring 7,5x2,0 NBR 70
A2		Magazine	D18	7015	Valve pin complete	F5	19026	CPK 2,5m6x6
A3	18025	Shroud 28x600mm	D21	2525	Spring 0,6x4x15	F6	19020	Side lever v7
A3	18010	Muzzle thread insert	D22	19038	Spring Seat	G1	1511	Rubber/steel washer R 1/8"
A4	17023	Muzzle .177	D23	5111	O-ring 2,5 x 1,5 NBR 90	G2	19005	Inlet valve rod
A4	17000	Muzzle .22	D24	19009	Guide M16	G3	19031	Quick connector
A4	19112	Muzzle .25	D25	5105	O-ring 9,3 x 2,4 NBR 90	G4	5107	O-ring 2,9 x 1,78 PUR 90
A4	19212	Muzzle .30	D26	19029	Rear pellet probe guide	H1	4528	O-ring 7,66 x 1,78 NBR 70
B2	16051	Recoil pad	D27	19013	Black plastic bushing .177	H2	19069	Seat over pressure valve
B5	4507	Screw 4x35mm	D27	19012	Black plastic bushing .22	H3	17036	O-ring 1,78x1,78 NBR 70
C5	10230	Barrel .177	D27	19101	Black plastic bushing .25	H4	19068	Housing over pressure valve
C5	12006	Barrel .22	D27	19211	Black plastic bushing .30	H5	19066	Piston over pressure valve
C5	19106	Barrel .25	D28	19034	Screw M3 "special" v7	H6	19072	Spring 1,75x17x6,75
C6	19206	Barrel .30	D29	19040	CPK 2h6x23,5	H7	19067	Lid over pressure valve
C7	19028	Shroud compensator > .22	D30	15034	> .25 - Grub screw M6x8	I1	11503	Spring 0,5x2,5x4,4
C7	19065	Shroud compensator .25 >	D30	19224	.30 > - Grub screw M8x8	I2	11527	Ball bearing
C8	1914	Pump Unit Complete <i>(separate drawing)</i>	D31	2503	Grub screw M5x8	I3	11633	Grub screw M2,5x8
CA	19103	Shroudmount Rear	D32	19004	Main Block	I4	11508	Grub screw M3x10
D1	11030	Hammer spring guide M16x1x2,5	E1	2529	.177, O-ring 4,3 x 1,5 NBR 70	I5	11027	Safety rod
D2	11500	Hammer spring	E1	5108	.22, O-ring 5,28 x 1,78 PUR 70	I6	19083	Safety pin
D3	11509	CPK 3h6x10	E1	2575	.25, O-ring 6,35 x 1,27 NBR 70	I7	11200	Safety knob
D4	19037	Side lever handle v7	E1	19209	.30, O-ring 7,5x1,5 NBR 70	J1	11031	Trigger sear
D5	11060	Screw M3x18	E2	5112	> .25 - O-ring 5,28 x 1,78 NBR 70	J2	11504	Spring 0,32x3,2x14,4
D6	19039	Hammer	E2	19210	.30 > - O-ring 11x1,5 NBR 70	J3	11062	Trigger adjustment - Second stage
D7	19121	Stock attachment	E3	2057	Barrel Inlet .177	J4	2527	Screw M3x10
D8	2509	Screw M5x6	E3	2056	Barrel Inlet .22	J5	2020	Trigger blade
D9	16044	Stock spacer	E3	19104	Barrel Inlet .25	J6	11524	Trigger base
D10	19052	Gauge mount bolt	E3	19207	Barrel Inlet .30	J7	2500	Grub screw M3x6
D11	19229	O-ring 10,1x1,6 NBR 90 (2 pcs)	F1	19021	Linkage	J8	11525	Trigger wheel
D11	19229	O-ring 10,1x1,6 NBR 90 (2 pcs)	F2	19042	CPK 2m6x8	J9	2500	Grub screw M3x6
D11.1	19343	Seal Ring	F3	19011	Pelletprobe .177			
D12	19051	Gauge mount	F3	19010	Pelletprobe .22			
D13	5400	Manometer 40mm	F3	19192	Pelletprobe .25			
D14	5003	Plastic Washer 4mm 1/8"	F3	19200	Pelletprobe .30			
D14	5010	Plastic Washer 1mm 1/8"	F4	19171	.177 - O-ring 4x2 NBR 70			
D15	2529	O-ring 4,3 x 1,5 NBR 70	F4	19332	.22 - O-ring 5x2 NBR 70			
D16	7044	Valve seat complete	F4	19228	.25 - O-ring 6x2 NBR 70			