

FXairguns MADE IN SWEDEN



FX IMPACT MKII OWNER'S MANUAL

Warnings

- Never attempt to disassemble this rifle while it is charged!
- Never fire the rifle when it is empty of air or when air cylinder is removed!
- Never point the rifle at anyone, or allow anyone to point a rifle at you!
- Treat every rifle as if it is loaded even if you know it is not loaded!
- Always carry the rifle so that the direction of the muzzle is under control, even if you stumble.
- Always be sure of your target and what lies behind it before firing your rifle.
- Never leave a loaded rifle unattended.
- Beware of targets that tend to cause ricochets.
- It is recommended that eye protection is worn when charging the cylinder.
- Always use caution when operating this rifle.
- Learn and obey the laws in your location.
- Be responsible in your use of this rifle!
- Never fill the rifle with anything else other than regular air!
- Never fire the rifle below set regulator pressure.
- You are obliged to inspect carbon-fiber air tanks according to the instructions on the tank.

Failure to obey these instructions could result in personal injury or damage to the gun!

Warranty Information

All FX Airguns carry a ThreeYear Warranty against faulty workmanship and defective materials. If it becomes necessary, first contact the dealer from which you purchased the gun. If the rifle is determined to have a defect within the warranty period, contact the warranty center to arrange service. The warranty guarantee does not cover any damage caused by tampering with the rifle or abuse. This rifle should only be disassembled by factory-authorized repairmen.

Rifle Features

- Interchangeable Caliber System
- High Capacity Easy Load Magazine
- Picatinny Scope Rail and accessory rails
- Externally Adjustable AMP Regulator
- Dual Power Tuners
- Dual Big Scale Manometers
- Carbon Fiber Bottle
- Built-In Moderator
- Replaceable Tactical Style Grip
- Adjustable Match Trigger

Cleaning

- Keep the rifle clean and wipe it off with regular gun-oil and a cloth occasionally.
- We recommend that you use cleaning pellets occasionally.
- These you can use without the risk of damaging the barrel.

WARNING: Never use chemicals or water to clean the rifle.

Storage

- Store dry and dark if possible.
- Preferable stored pressurized.

WARNING:

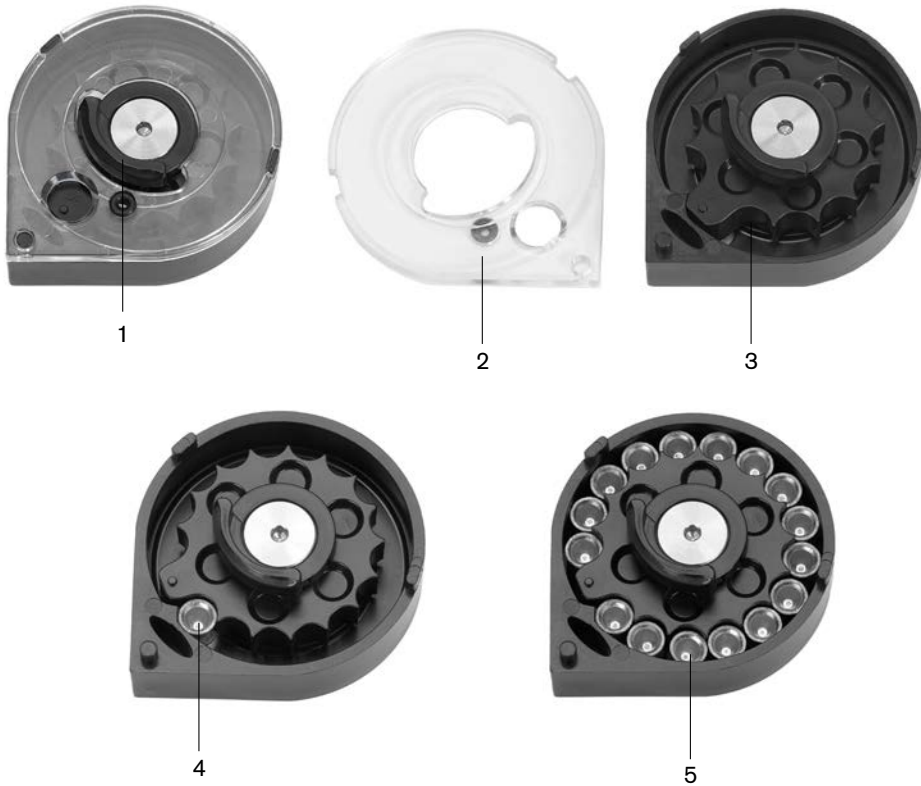
- *High humidity might cause corrosion if not treated correctly.*
- *Keep away from sunlight as this might damage o-rings and anodizing.*
- *Never store the rifle loaded with pellets*



Safety Operations

The safety is easy to use and is located on the right side of the action.

Note: *Only use the safety when the rifle is cocked!*



How to load the magazine

To load the Side-Shot magazine, start by rotating the center lid-lock (1) until you are able to remove the lid (2). Twist the inner pellet tray (3) counterclockwise until you hit the stop. Put a pellet into the first position (4) head first while holding your finger under the hole to stop it, release the pellet tray as the pellet you inserted will hold the magazine in place. Continue placing the rest of the pellets HEAD FIRST, make certain all the pellets fall in correctly into its slot (5). Once the magazine has been filled, put the lid back into position and twist the lid-lock until it is the opposite position of the cutout. Our guns are tested and tuned in the factory for best performance and accuracy with JSB pellets.

Charging the rifle

A quick connector is supplied with the rifle (1/8" thread).

NOTICE – Make sure that the thread is the same at the charging source before you attach it.



Close ventilation screw on the charging source. Charge the rifle to wanted pressure. Always check the pressure on the charging source, they have in most cases a more reliable gauge. The gauge on the rifle is more of an indicator to see if you need to charge or not. The tank pressure gauge is located on the right hand side.

The maximum fill pressure is also stated beside the gauge.

If a hand pump is used the moisture trap must be drained at regular intervals during the pumping cycle.

WARNING: Only dry air should be used! Under no circumstances should oxygen or any other gas be used to fill the air-tubes! This might result in a serious injury or death!

Cocking and Loading

With the rifle pressurized and magazine loaded, continue to prepare the rifle for use by pulling rearward on the cocking lever (1) until it clicks in the rearward position.

Then set the safety (2) to "Safe" position.

Carefully insert the magazine (3) in the magazine slot, ensuring the pellets face the correct direction.

Press firmly to ensure the magazine is completely installed.

You will hear a click when the locking mechanism (4) locks in position.

Closing the cocking lever will now load a pellet into the barrel and make the rifle cocked and loaded.

Switching the safety to "Fire" will make the rifle ready to fire.

Make sure that side lever is completely closed in the front position, failure to do so might result in damaged cocking mechanism. This kind of abuse is not covered by warranty. Be sure to keep the rifle pointed in a safe direction throughout this entire procedure.



Removal of Magazine

Put the safety in "Safe" position and then pull the cocking lever rearwards. Pull the locking mechanism (4) rearwards while you pull the magazine out of the slot.

Uncocking the rifle/inactivating trigger system

Pull the cocking lever to its rear position and remove magazine if mounted, put the safety to "Fire".

While holding the cocking lever in its rear position you squeeze the trigger and at the same time you gently move the cocking lever forward. The trigger must be pulled throughout the whole procedure.







Adjusting the power

Setting the power on the Impact can be done with three external adjustments.

1. Front power adjuster (1).

Turning the knob CLOCKWISE will reduce the power, while COUNTER - CLOCKWISE (within the margins) will increase the power. This will allow you to fine tune the valve flow and air efficiency.

The default setting is near the center of the indication grooves.

NOTICE – NEVER fire the airgun without air pressure. Doing so may damage the valve assembly and will void your warranty!

2. Rear power adjuster (2) – Hammer-spring tension adjuster

The spring tension adjuster wheel is a quick way to fine tune the power and accuracy of your rifle and has 12 fixed levels.

Simply rotating the wheel while the gun is un-cocked in either direction will set the power from Maximum to Minimum.

It will read letters on one side and figures on the other side as there can be small difference in power between the two sides. 1 and E is on the low side and 5 and A is on the high side.

NOTICE – NEVER adjust the power when rifle is cocked. Doing so might damage the power-adjuster wheel and will void your warranty!



3. Externally Adjustable Regulator (3)

The adjustable AMP regulator is located behind the trigger, angled up into the action.

Increase regulator pressure. Turn the regulator screw counter-clockwise a quarter of a turn and check the gauge. Repeat until the wanted pressure has been reached..

NOTICE – Make sure your rifle is not loaded before dry firing.

Decrease regulator pressure. Turn the regulator screw clockwise a quarter of a turn, fire off one empty shot in a safe direction Repeat until the wanted pressure has been reached.

NOTICE – Make sure your rifle is not loaded before dry firing.

NOTICE – Fire in a safe direction.

NOTICE – NEVER adjust the regulator above 170bar as damage to the system may occur and will void your warranty!

NOTICE – NEVER use the gun below the set regulator pressure as damage to the system may occur and will void your warranty!

Depressurize airgun and regulator.

The bottle is equipped with its own valve so it is safe to unscrew it from the system, there will be a minor escape of air when you remove it.

The regulator will hold air even if you unscrew the bottle.

To drain the pressure set the power adjuster wheel to MIN. Fire off one empty shot in a safe direction, this is to release the residual air in the low pressure side of the regulator chamber. Do not continue to fire after pressure has reach zero.

NOTICE – Make sure your rifle is not loaded before dry firing.

NOTICE – Fire in a safe direction.

Changing Caliber



Changing Caliber

When changing calibre on the system for the first time, be sure to follow these directions thoroughly to avoid unwanted damage.

Make sure pellet-probe has the same caliber as the barrel before mounting.

Make sure rifle is un-cocked!

Barrel:

- Loosen screw on the side of the breechblock (3).
- Pull the barrel out of the system.
- Insert new barrel and make sure the small slot in the barrel breech lines-up with the guide pin inside the breech block.
- When completely seated, you should be able to see a small portion of The barrel assembly inside the magazine slot (2).
- Once in position, tighten the locking screw (3).
- Misalignment will cause poor performance and might potentially harm the airgun.

NOTICE – Failure to tighten these locking screws can cause serious damage to the rifle if fired.

Pellet-probe:

- Set the safety to its safe position.
- Loosen the recoil pad locking screw (4) and pull the recoil-pad down to it's lowest position.
- Pull the sidelever rearwards until you have the locking screw (1) visible between the slots.
- Loosen the pellet probe locking screw (1) using a 1,5 mm allen key.
- Pull the probe rearwards, replace and tighten the screw again.
Make sure the air transfer port (5). Direction is downwards. You can use a 4 mm allen key in the rear of the pelletprobe to guide it to the correct position.
- Un-cock the rifle, see cocking and loading section.

NOTICE – Never fire the gun without pellet-probe mounted. To complete the installation you need to set the power to the appropriate settings for the new caliber.



Trigger Adjustments

For liability reasons, we cannot give detailed instructions on trigger adjustments. The follow diagram is a reference showing adjustment screws and what aspect of the trigger they adjust.

The 2nd Stage Adjustment (2) is the break or release weight adjuster.

The 1st Stage Length Adjustment (1) controls the travel or 1st Stage length.

NOTICE – Adjusting your trigger can easily make the rifle unsafe. Take caution in safely adjusting and testing your trigger with an **UNLOADED** magazine and empty barrel. Always point the rifle in a safe direction while adjusting the trigger. Never rely on the trigger or safety when pointing your rifle at any target. And, always test the rifle thoroughly following any adjustments to ensure safety and reliability.

NOTICE – All adjustments work in relationship with one another. Adjustments to one screw may impact the function of other aspects to the trigger. Proper function is a tuning of each adjustment, and should be performed by a trained specialist. Adjustments to the trigger are not a warranted service

Adjusting the Recoil Pad

Loosen the locking screw (1) on the butt assembly and position the rubber insert to your liking. Once positioned correctly, tighten the locking screw to hold the position.



Notes for you own settings

Tip: Make note of the factory setting before you start tuning the rifle.

Caliber				
Regulator Pressure				
Main Power Setting				
Power tuning adjuster				
Energy				
Velocity				
Pellet Weight				
Pellet Type				
Distance				
Remarks				



FXairguns MADE IN SWEDEN

www.fxairguns.com