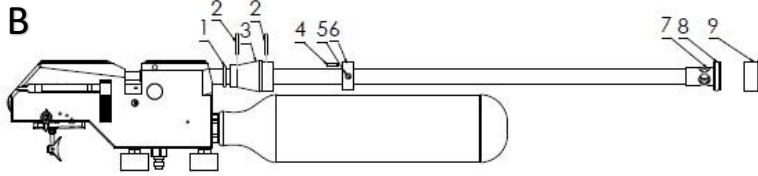


Model	Other model names	Date	Revision	Revision date
FX Crown		2018-06-19	EN.20.1	2020-02-04

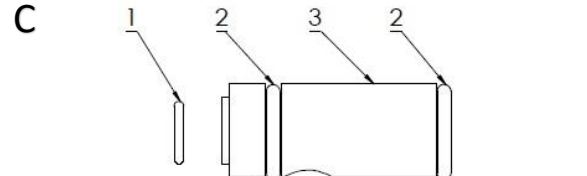
**A**



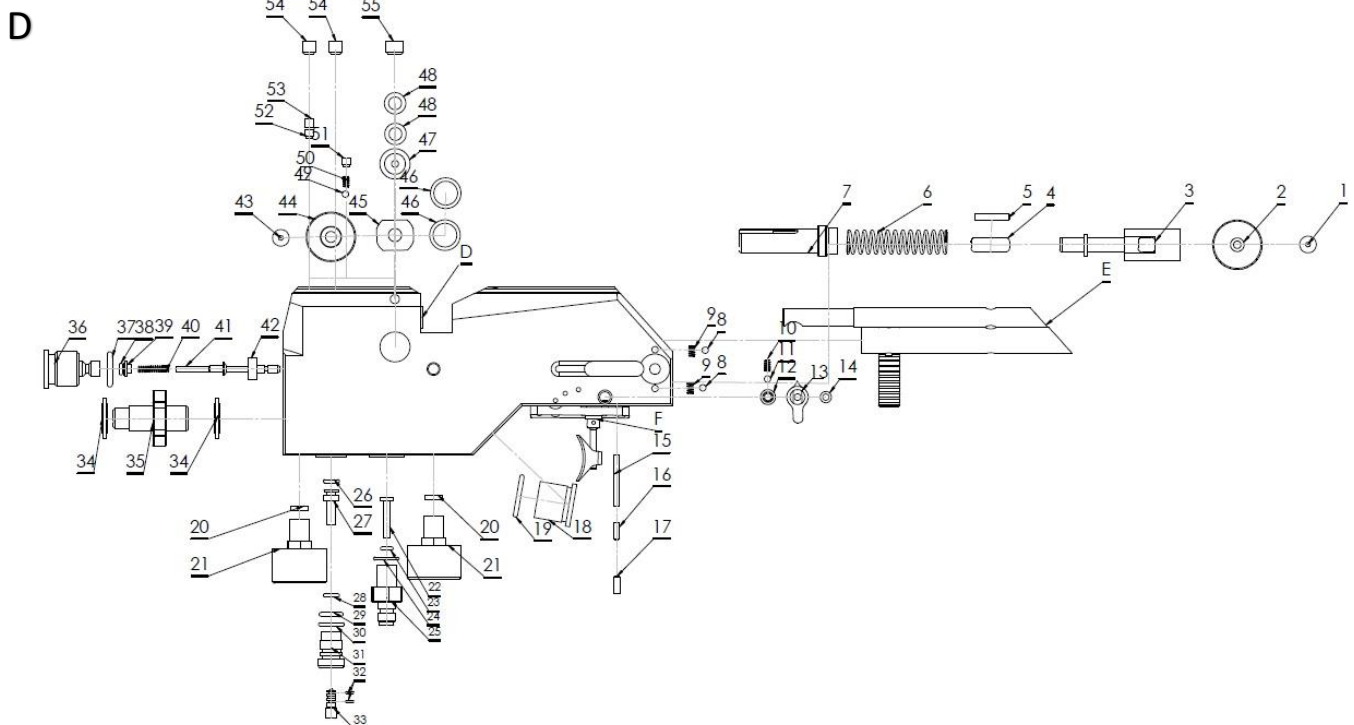
**B**



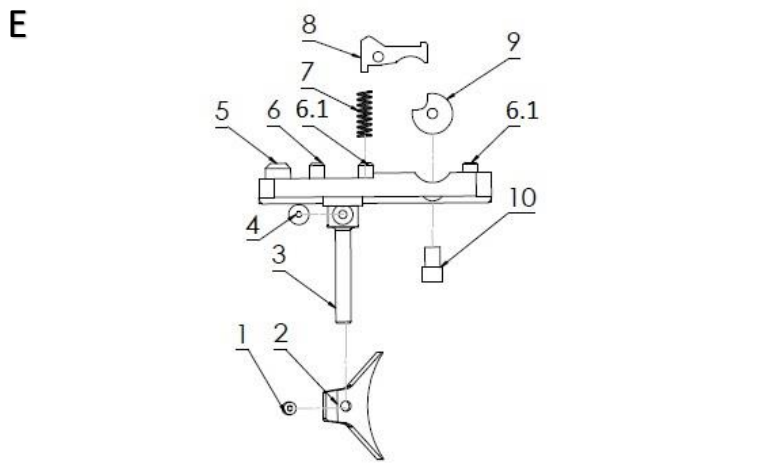
**C**



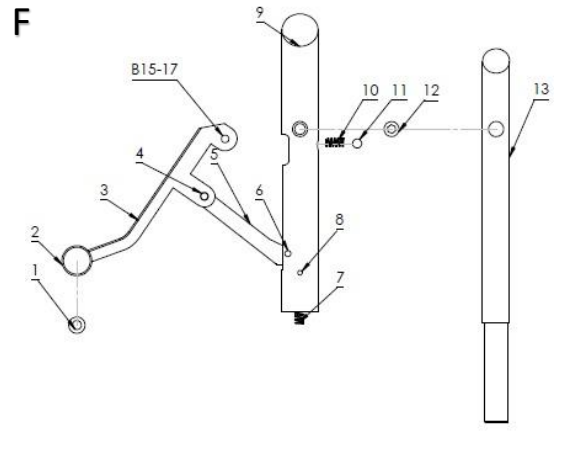
**D**



**E**



**F**



Model	Other model names	Date	Revision	Revision date
FX Crown		2018-06-19	EN.20.1	2020-02-04

NO	ART. NO	DESCRIPTION	NO	ART. NO	DESCRIPTION
A1-Walnut	19940	Crown Walnut Stock	D28	19109	O-ring 4x1,5 NBR 70
A1-Gray	19943	Crown Laminate Gray Stock	D29	19763	O-ring 9x1,5 NBR 90, <i>until serial no. 181700</i>
A1-Green	19941	Crown Laminate Green Stock	D29	19790	O-ring 10x1,5 NBR90, <i>from ser.no. 181700</i>
A1-Blue	19942	Crown Laminate Blue Stock	D30	4528	O-ring 7,66x1,78 NBR 70, <i>until ser. no. 181700</i>
A2	19901	Breechblock Crown	D30	19225	O-ring 7,5x2 NBR70, <i>from ser.no. 181700</i>
A3-4,5 & 5,5	19142	Shroud tube 28x447mm	D31	19697	Regulator house, <i>until serial no. 181700</i>
A3-6,35 & 7,62	19975	Shroud tube 28x562mm	D31	19697-1	Regulator house, <i>from ser.no. 181700</i>
A4	5532	Carbon Fibre bottle Complete	D32	19731	O-ring 2x1 NBR 90
B1	12045	O-ring 13.95x2.62 NBR 70	D33	19695	Regulator Screw
B2	12045	O-ring 13.95x2.62 NBR 70	D34	11507	Rubbersteel washer M12
B3	19925	Shroud-cone Crown	D35	19659	Bottle adapter
B4	11509	CPK 3h6x10	D36	19905	Valvehouse crown
B5	11201	Grubscrw M5x4	D36	19948	Valvehouse Crown, for 10J/12Ft
B6	19926	Shroudstop Crown	D37	5109	O-ring 11,6x2,4 NBR 70
B7	19911	Shroud compensator 5,5	D38	5111	O-ring 2,5x1,5 NBR 90
B7	19912	Shroud compensator 6,35	D39	19038	Springseat
B7	19913	Shroud compensator 7,62	D40	2525	Spring 0,6x4x15
B8	19951	O-ring 18x3,5 NBR 70	D40	11627	Spring 0,6x4x20, for 10J/12Ft
B9-4.5 & 5.5	19654	Muzzle 4,5 & 5,5	D41	19929	Valvepin Crown CPL
B9- 6.35	19655	Muzzle 6,35	D42	19217	Valveseat CPL
B9- 7.62	19656	Muzzle 7,62	D43	16104	Countersunk screw M4x14
C1- 4.5	2529	O-ring 4,3 x 1,5 NBR 70	D44	19915	Power adjuster house
C1- 5.5	19726	O-ring 5,5 x 1,5 NBR 70	D45	19923	Poweradjuster outer crown
C1- 6.35	4526	O-ring 6,4 x 1,3 NBR 70	D46	19081	O-ring 11,1x1,6 NBR 70
C1- 7.62	19726	O-ring 7,5 x 1,5 NBR 70	D47	19922	Power adjuster inner Crown
C2	19703	O-ring 10x2 NBR 70	D47	19937	Power adjuster inner Crown 10J
C3	19628	Barrel inlet 4,5	D47	19936	Power adjuster inner Crown 12Ft
C3	19629	Barrel inlet 5,5	D48	19228	O-ring 6x2 NBR 70
C3	19670	Barrel inlet 6,35	D49	4066	Steel Ball 3mm
C3	19671	Barrel inlet 7,62	D50	11501	Spring 0,5x2,5x6,1
D1	2508	Countersunk screw M3x10	D51	2637	Grub screw M4x6 flat
D2	19908	Power adjuster Crown	D52	2637	Grub screw M4x6 flat
D3	19902	Springholder Crown	D53	2637	Grub screw M4x6 flat
D4	19909	Hammer adjuster	D54	19846	Grub screw M6x6
D5	19683	Grubscrew M3x18	D55	19955	Grub screw M8x6
D6	11500	Hammerspring v2	E1	12035	Grub screw M2.5x2.5
D6	16024	Hammerspring, for 10J /12Ft	E2	19136	Adjustable Trigger blade
D7	19039	Hammer v7	E3	19137	Triggerpin
D8	11501	Spring 0,5x2,5x6,1	E4	19178	MC6s M2x4
D9	4066	Steelball 3mm	E5	11015	Trigger Screw M5, Second stage
D10	11501	Spring 0,5x2,5x6,1	E6	2500	Grub screw M3x6
D11	4066	Steelball 3mm	E6.1	19742	Grub screw M3x8
D12	19907	Safety Crown	E7	11544	Spring 1st stage
D13	19906	Safety lever Crown	E8	19934	Trigger sear Crown
D14	11546	MC6S M3x14	E9	11525	Trigger roll
D15	1501	CPK 2,5m6x24	E10	19927	Screw trigger roll
D16	19026	CPK 2,5m6x6	F1	19682	Screw M3x16
D17	11508	Grub screw M3x10	F2	19611	Sidelever handle
D18	19904	Plugg M18x1	F3	19638	Sidelever
D19	19950	O-ring 14x2 NBR 70	F4	19026	CPK 2.5m6x6
D20	19723-1	Plastic Washer, Thick, Regulator Gauge	F5	19935	Linkage Crown
D21	11505	Manometer	F6	19601	CPK 2h6x6
D22	19329	Checkvalve rod "gold"	F7	11544	Spring 0,75x5x20
D23	5111	O-ring 2.5x1.5 NBR 90	F8	11509	CPK 3h6x10
D24	16028	O-ring 12x1 NBR 70	F9	19921	Carrier
D25	19939	Quick connector Crown	F10	11503	Spring 0,5x2,5x4,4
D26	19109	O-ring 4x1,5 NBR 70	F11	4066	Steelball 3mm
D27	19696	Regulator rod	F12	19914	Pellet probe Screw
			F13-4.5	19917	Pellet probe Crown 4,5
			F13-5.5	19918	Pellet probe Crown 5,5
			F13-6.35	19919	Pellet probe Crown 6,35
			F13-7.62	19920	Pellet probe Crown 7,62