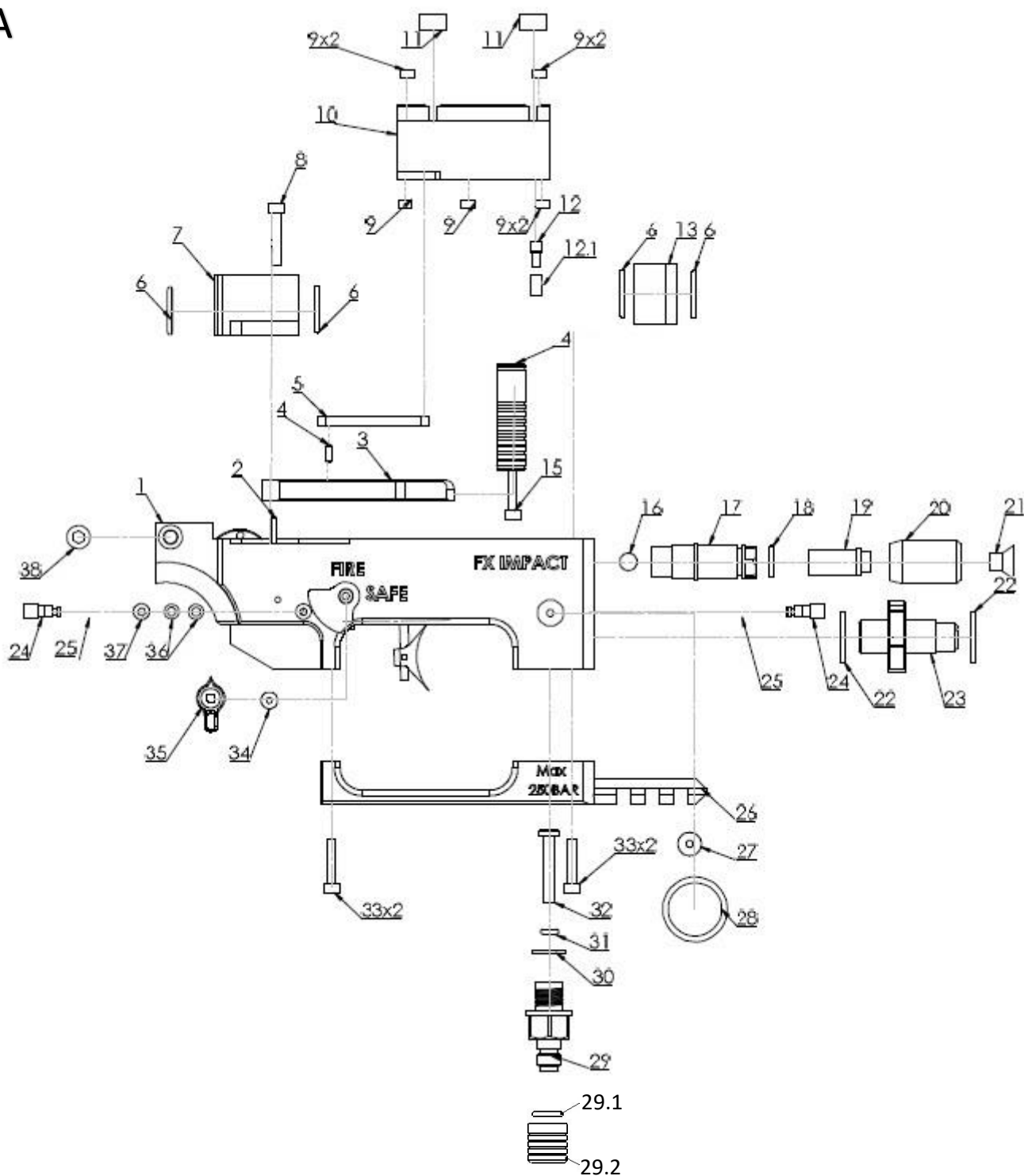


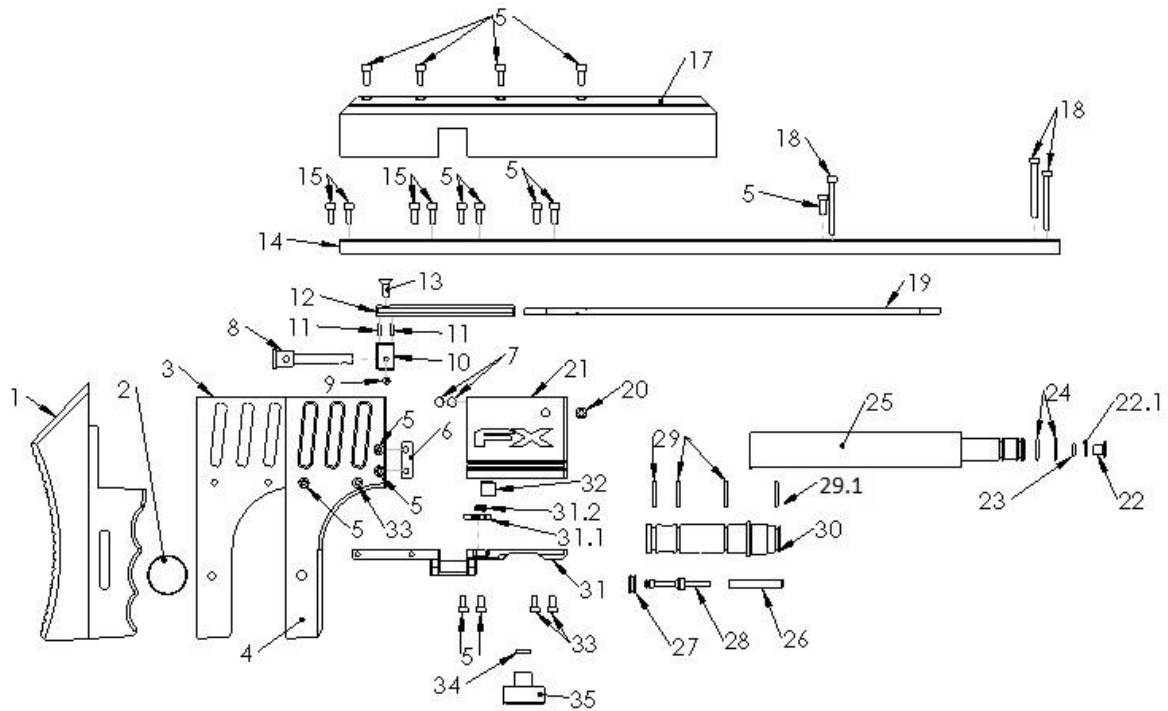
Model	Other model names	Date	Revision	Revision date
FX Impact MkII		2019-08-02	EN.19.02	2020-02-12

A

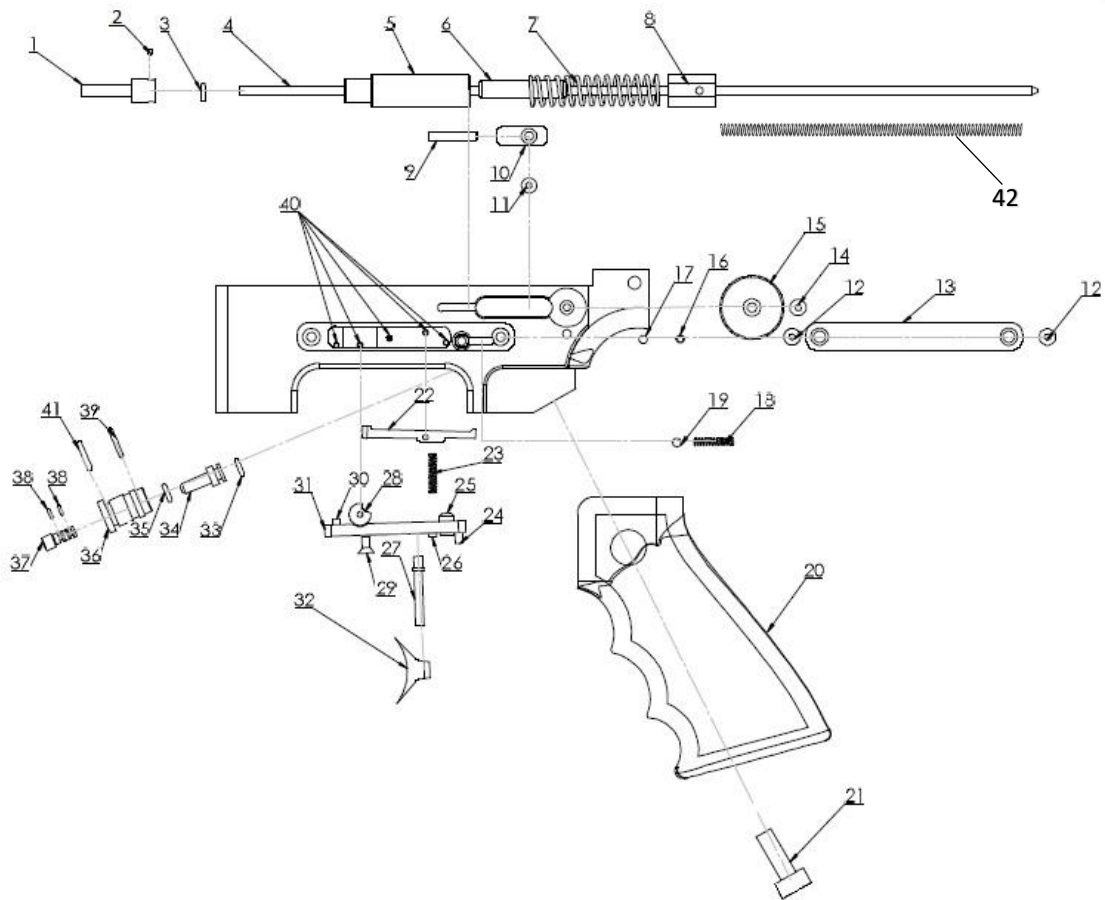


Model	Other model names	Date	Revision	Revision date
FX Impact MkII		2019-08-02	EN.19.02	2020-02-12

B



C



Model	Other model names	Date	Revision	Revision date
FX Impact MkII		2019-08-02	EN.19.02	2020-02-12

NO	ART. NO	DESCRIPTION	NO	ART. NO	DESCRIPTION
A1	19690	Trigger Block Impact, black	B9	19748	Grub screw M3x6, <i>until ser.no. 191084</i>
A1	19699	Trigger Block Impact, silver	B9	19643	Grub screw, Feeding pin, M4, <i>from serial no.191084</i>
A2	1501	CPK 2,5m6x24	B10	19614	Feedingpin holder, <i>revision 4, until serial No. 191084, (use with 19748)</i>
A3	19638	Cockinglever Impact	B10	19614	Feedingpin holder, <i>revision 5, from serial no. 191084, (use with 19643)</i>
A4	19026	CPK 2,5m6x6	B11	19601	CPK 2h6x6
A5	19021	Lever Linkage	B12	19612	Feedingpin Guide
A6	19718	O-ring 14x1,5 NBR 70	B13	2505	Countersunk screw m4x10
A7	19650	Barrel Guiding back	B14	19642	Guiding Plate Impact
A8	19740	MC6S M3x22	B15	2527	MC6S M3x10
A9	19652	Delrin Puck 5	B16	N/A	N/A
A10	19691	Reloading block Impact	B17	19779	Cheek piece for Impact (january 2019)
A11	19653	Delrin Puck 9,9	B18	11506	MC6S M3x30
A12	19715	Socket head cap screw M3x5	B19	19667	Reloading Bar
A12.1	19676	Sleeve reloading	B20	19864	Grubb screw M6x6
A13	19651	Barrel guiding Front	B21	19698	Rear block Impact
A14	19611	Cockinglever Handle	B22	19674	O-ring Stop Valve tube
A15	11060	MC6S M3x18	B22.1	19061	O-ring 6x1 NBR90
A16	11599	Rubberbaal 6,35 NBR90	B23	19768	O-ring 2,84x2,62 PUR 90
A17	19616	Valvestop Impact	B24	19722	O-ring 9x1,5 NBR 70
A18	19722	O-ring 9x1,5 NBR 70	B25	19615-1	Valvetube 20mm
A19	19668	Valve adjuster screw	B26	19603	Valve nut impact
A20	19669	Valve Ajduster Impact	B27	19217	Valvseat complete
A21	19717	Countersunk screw m6x8	B28	7064	Valvepin complete Impact
A22	11507	Rubbersteel washer M12	B29	19677	O-ring 10,5x2 NBR 70
A23	19659	Bottle adapter impact	B29.1	19718	O-ring 14x1,5 NBR 70
A24	19694	Brass adapter impact.	B30	19605-1	Valvehouse
A25	19761	O-ring 2,2x1 NBR 70	B31	20117	Magazine bracket Impact MkII
A26	19689	Trigger guard Impact, black	B31.1	20116	Locking arm Magazine bracket
A26	19617	Trigger guard Impact, silver	B31.2	16093	Spring 0,3x2x10
A27	19762	X-ring 3,63x2,62 NBR 70	B32	19224	Grubscrew M8x8
A28	19775	Manometer 28mm with black cover	B33	19713	MC6S M3x6
A29	16303	Quick connector male	B34	19762	X-ring 3,63x2,62 NBR 70
A29.1	4528	O-ring 7.66x1.78 NBR70	B35	19775	Manometer 28mm with black cover
A29.2	19910	Dust Cover - Quick Connection	C1	19604	Hammerseat
A30	19720	O-ring 10x1 NBR 90	C2	19741	Grub screw M2x2
A31	5107	O-ring 2,9x1,78 PUR 90	C3	5107	O-ring 2,9x1,78 PUR 90
A32	19005	Backvalve "blue"	C4	19647	Valverod
A33	19682	Socket head cap screw M3x16	C5	19622	Hammer Impact
A34	2504	Countersunk screw M3x6	C6	19623	Spring guide Impact
A35	19610	Safety Lever	C7	11500	Hammerspring v2
A36	19736	Delrin bushing 5,3	C8	19609	Spring holder Impact
A37	19715	MC6S M3-0.5x5	C9	19683	Grub screw M3x18
A38	14500	MC6S M5x16	C10	19602	Hammer adjuster
B1	19618	Impact Recoild-pad	C11	19715	MC6S M3-0.5x5
B2	19728	Shoulderpad Adjuster screw	C12	2504	Countersunk M3x6
B3	19646	Left plate impact	C13	19693	Impact sprinholder
B4	19645	Right plate impact	C14	19712	Countersunk screw m3x10
B5	12610	MC6S M3x8	C15	19608	Power adjuster Impact
B6	19606	Magazine holder Impact	C16	11501	Spring 0,5x2,5x6,1
B7	5110	Rubberball 4,75 NBR 70	C17	4066	Steel ball 3mm
B8	19641	Feeding pin Impact 4,5 (.177)	C18	11501	Spring 0,5x2,5x6,1
B8	19620	Feeding pin Impact 5,5 (.22)	C19	4066	Steel ball 3mm
B8	19621	Feeding pin Impact 6,35 (.25)	C20	19710	Houge rubber grip
B8	19619	Feeding pin Impact 7,62 (.30)	C21	19743	MC6S M6x16
			C22	19636	Triggercatch Impact
			C23	11504	Spring 0,32x3,2x14,4 v2.3

Model	Other model names	Date	Revision	Revision date
FX Impact MkII		2019-08-02	EN.19.02	2020-02-12

C24	19742	Grub screw M3x8	C36	19697-1	Regulator house
C25	11062	M5 secondstage std	C37	19695	Regulator screw
C26	2500	Grub screw M3x6	C38	19731	O-ring 2x1 NBR 90
C27	19613	Trigger pin Impact	C39	19790	O-ring 10x1,5 NBR90
C28	11525	Triggerroll	C40	19040	CPK 2m6x24
C29	2504	Countersunk M3x6	C41	19225	O-ring 7,5x2 NBR70
C30	2500	Grub screw M3x6	C42	19735	Spring 0,75x5x175
C31	19637	Triggerbase Impact			
C32	19136	Adjustable triggerblade			
C33	19109	O-ring 4x1,5 NBR 70			
C34	19696	Regulator rod			
C35	19109	O-ring 4x1,5 NBR 70			