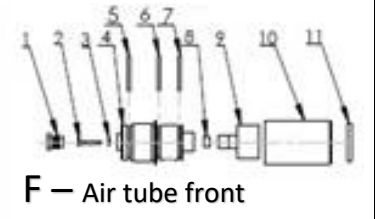
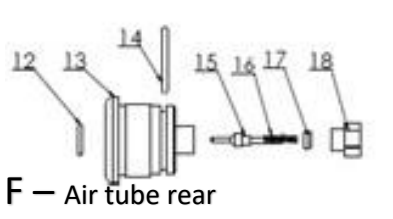
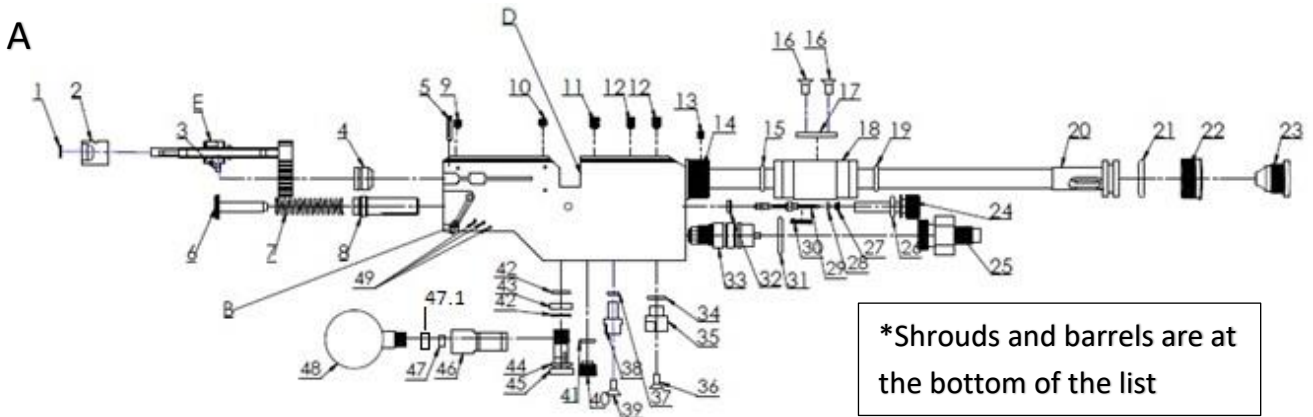
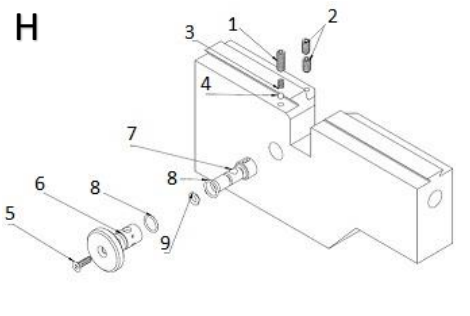
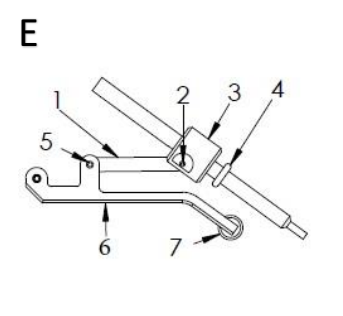
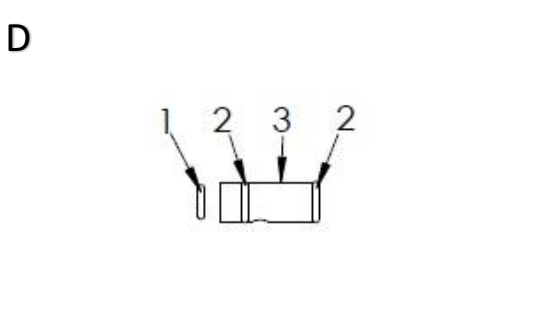
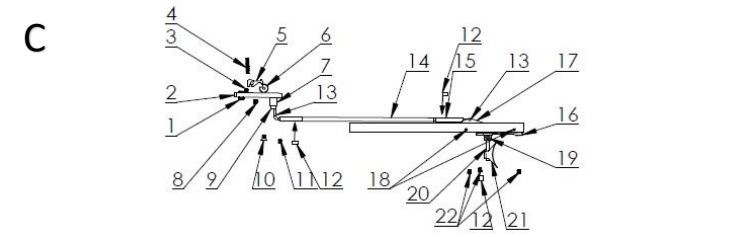
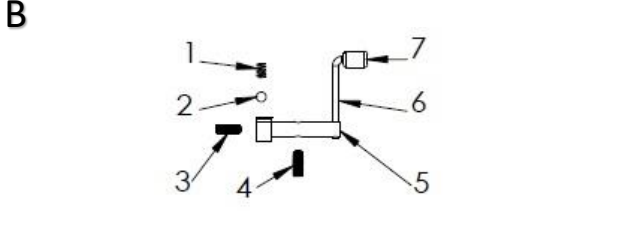
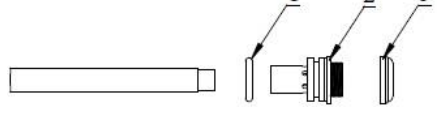


Model	Other model names	Date	Revision	Revision date
FX Bobcat MkII		2019-07-29	EN.20.03	2020-03-30



**Shroud version 2**



Model	Other model names	Date	Revision	Revision date
FX Bobcat MkII		2019-07-29	EN.20.03	2020-03-30

NO	ART.NO	DESCRIPTION	NO	ART. NO	DESCRIPTION
1	19336	Cheek piece Bobcat	A29	7015	Valve pin V7 complete
2	19317	Rail bobcat 5 hole	A29	7019	Valve pin SHP - Complete
3	19320	Bobcat stock	A29	7019	Valve pin SHP - Complete
4			A30	2525	Spring 0,6x4x15
5			A31	12046	O-ring 15,88x2,62 NBR90
6	16051	Adjustable recoil pad	A32	7044	Complete Valveseat
A1	5112	O-ring 5,28x1,78 NBR 70	A32	19060	Complete SHP Valveseat
A2	19029	Rear pellet probe guide	A32	19217	Valve seat Cal.30 Complete
A3	11509	CPK 3h6x10	A33	19043	Regulator Mounted
A4 – 4,5	19013	Black plastic bushing			
A4 - 5,5	19012	Black plastic bushing	A34	19327	O-ring 10,1x1,6 NBR70
A4 – 6,35	19101	Black plastic bushing	A35	19302	Attachment 1/8" to M5
A4 – 7,62	19211	Black plastic bushing	A36	5203	Countersunk M5x10
A5	19034	M3 special screw v7	A37	5112	O-ring 5,28x1,78 NBR70
A6	11541	Hammer spring adjuster	A38	19121	Stock attachment
A6	11030	Hammer spring Adjuster M16x1x2,5	A39	5203	Countersink M5x10
A7	11500	Hammer spring	A40	19330	Plug
A8 - 6,35-5,5	11540	Hammer weight	A41	4528	O-ring 7,66x1,78 NBR 70
A8 -7,62	17003	Hammer weight v4	A42	19327	O-ring 10,1x1,6 NBR70
A8	19039	Hammer v7	A43	19230	Washer seal guide
A9	5203	Countersunk screw M5x10	A44	1511	Rubbersteel washer 1/8"
A10	2534	Conical grub screw M5x6 with tip	A45	19052	Gauge mount Bolt v8
A11	19086	Conical grub screw M6x8	A46	19051	Gauge mount
A11 – 7,62	19224	Conical grub screw M8x8	A47	5003	Plastic Washer 4mm 1/8"
A12	2503	Conical grub screw M5x8	A47.1	5010	Plastic washer 8.5x2.6x1.0
A12 -7,62	19086	Conical grub screw M6x8	A48	19347	Pressure gauge Bobcat 250bar
A13	11201	Conical grub screw M5x4	A49	19040	Cylindrical pin 2m6x23,5
A14	19314	Rear shroud mount bullpup			
A15	12045	O-ring 13,95x2,62 NBR70			
A16	19025	Countersunk screw M5x8			
A17	19014	Dovetail plate	B1	11503	Spring 0,5x2,5x4,4
A18	19316	Barrelsupport	B2	11527	Steelball 3,175
A19	12045	O-ring 13,95x2,62 NBR70	B3	11633	Grubscrew M2,5x8
A20	19028	Shroud compensator 4,5-5,5	B4	11508	Grubscrew M3x8
A21	19098	O-ring 18,0x4,0 NBR70	B5	11027	Safety pivot
A22	18010	Muzzle thread insert	B6	11625	Safety lever 27,5mm Cyclone, Cutlas, Rancho.
A23 – 4,5	17023	Muzzle	B7	11200	Safety knob
A23 – 5,5	17000	Muzzle	C1	11062	Adj screw second stage, soft
A23 – 6,35	19112	Muzzle	C2	11524	Trigger base
A23 – 7,62	19212	Muzzle	C3	2500	Grubscrew M3x6
		Shroud version 2.	C4	11504-2	Spring 0,4x2,5x15
1	5113	O-ring 20,24 x 2,62 NBR 70	C5	11031	Trigger Sear
2 – 4,5 5,5	19122	Muzzle mkII	C6	11525	Trigger roll
2 – 6,35	19124	Muzzle MkII 6,35	C7	19315	Trigger block receiver side
2 – 7,62	19125	Muzzle mkII 7,62	C8	16092	Grubscrew M3x4
3	19128	Thread cover M20	C9	2532	Socket head cap screw M3x12
A24	19009	Guide M16	C10	13039	Countersunk M3x8
A25	19056	Connector M20x1 v7	C11	2500	Grubscrew M3x6
A26	5105	O-ring 9,3x2,4 NBR90	C12	16100	Magnet 3x5mm
A27	19038	Spring seat v7	C13	19305	Ballpin
A28	5111	O-ring 2,5x1,5 NBR90	C14	19312	Triggerextensin rod M3

Model	Other model names	Date	Revision	Revision date
FX Bobcat MkII		2019-07-29	EN.20.03	2020-03-30

C15	19307	Trigger adjustment m3	H1	2502	Grubscrew M4x12
C16	19167	Match trigger rail	H2	12033	Grubscrew 4x8 with flat tip
C17	19303	Trigger connection	H3	11501	Spring 0,5x2,5x6,1
C18	19040	Cylindrical pin 2m6x23,5	H4	4066	Steelball 3mm
C19	19178	Screw M2x4	H5	2508	Countersunk screw M3x10
C20	19137	Trigger pin	H6	16083	Power wheel
C21	19136	Adjustable Trigger shoe	H7	16082	Inner axel 4,5mm for power wheel
C22	16092	Grubscrew M3x4	H8	19117	O-ring 8x1 NBR70
D1 – 4,5	2529	O-ring 4,3x1,5 NBR70	H9	19109	O-ring 4x1,5 NBR70
D1 – 5,5	5108	O-ring 5,28x1,78			Tubes
D1 – 6,35	4526	O-ring 6,4x1,3 NBR 70	4,5-5,5	7071	Air tube 40x391 Bobcat MKII 300cc
D1 - 7,62	19209	O-ring 7,5x1,5 NBR70	6,35-7,62	19339	Air tube 40x571 Bobcat/R300
D2	5112	O-ring 5,28x1,78 NBR70			Barrels
D2– 7,62	19210	O-ring 11,0x1,5 NBR70	4,5	12030	Barrel .177 14 – 485mm
D3 – 4,5	2057	Barrel brass inlet .177	5,5	12006	Barrel 55-14-485
D3 – 5,5	2056	Barrel brass inlet.22	6,35	19106	Barrel 6,35-14-600
D3 - 6,35	19104	Barrel brass inlet.25	7,62	19206	Barrel 7,62-14-600
D3 - 7,62	19207	Barrel brass inlet.30			Shrouds Sweden
E1	19021	Side lever linkage	4,5 & 5,5	19099	Shroud 345mm R5
E2	19042	Cylindrical pin 2mx6x8	6,35	19142	Shroud 447mm Extreme
E3 - 4,5	19011	Pellet probe 4,5			Shrouds export
E3 – 5,5	19010	Pellet probe 5,5	4,5 & 5,5	19129	Shroud 247mm
E3 – 6,35	19192	Pellet probe 6,35	6,35 & 7,62	19328	Shroud 362,5mm .25-.30
E3 – 7,62	19200	Pellet probe 7,62			
E4 – 4,5	19171	O-ring 4x2 NBR70			
E4 - 5,5	19332	O-ring 5x2 NBR70			
E4 – 6,35	19228	O-ring 6x2 NBR 70			
E4 – 7,62	19225	O-ring 7,5x2,0 NBR 70			
E5	19026	Cylindrical pin 2,5m6x6			
E6	19020	Sidelever v7			
E7	19037	Side lever Handle v7			
F1	19035	Plugg 1/8" v7			
F2	19329	Inlet valve rod "gold"			
F3	5111	O-ring 2,5x1,5 NBR 90			
F4	19309	Tube end mano 40mm			
F5	19195	O-ring 28x3 NBR 90			
F6	19196	O-ring 30x2 NBR 70			
F7	19196	O-ring 30x2 NBR 70			
F8	5005	Plastic washer 2mm			
F9	11505	Pressure gauge 25mm 1/8"			
F10	19344	Dust cover			
F11	19382	Delrin bushing dust cover			
F12	5105	O-ring 9,3x2,4 NBR 90			
F13	19335	Tube end open			
F14	19195	O-ring 28x3 NBR 90			
F15	7018	Valvepin AirTube Complete			
F16	2525	Spring 0,6x4x15			
F17	7044	Valveseat complete			
F18	11013	Valve pin Nut			