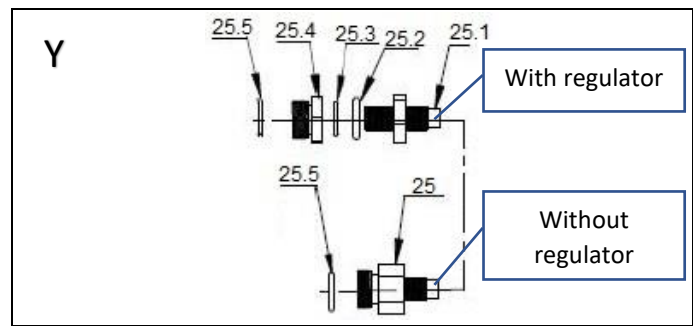
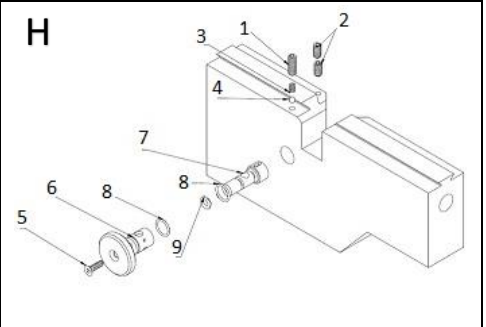
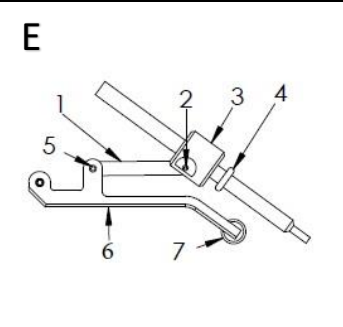
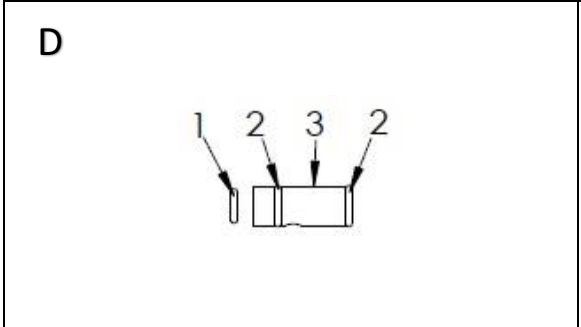
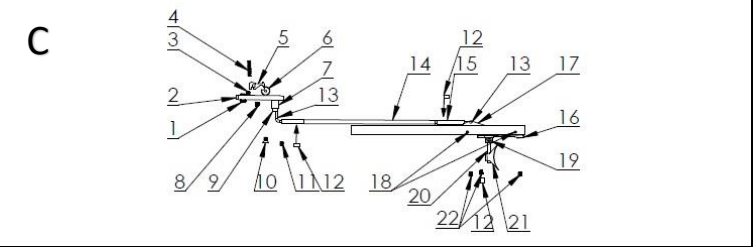
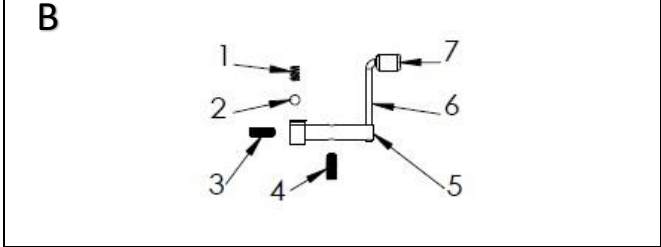
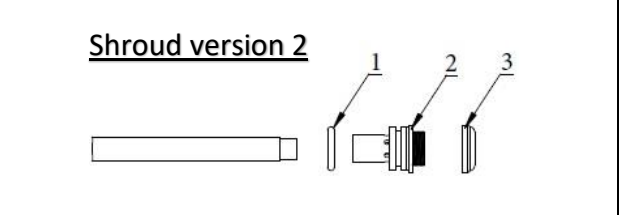
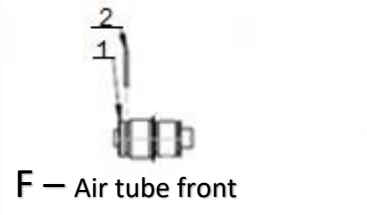
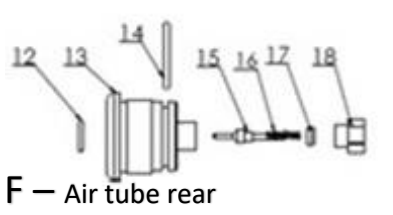
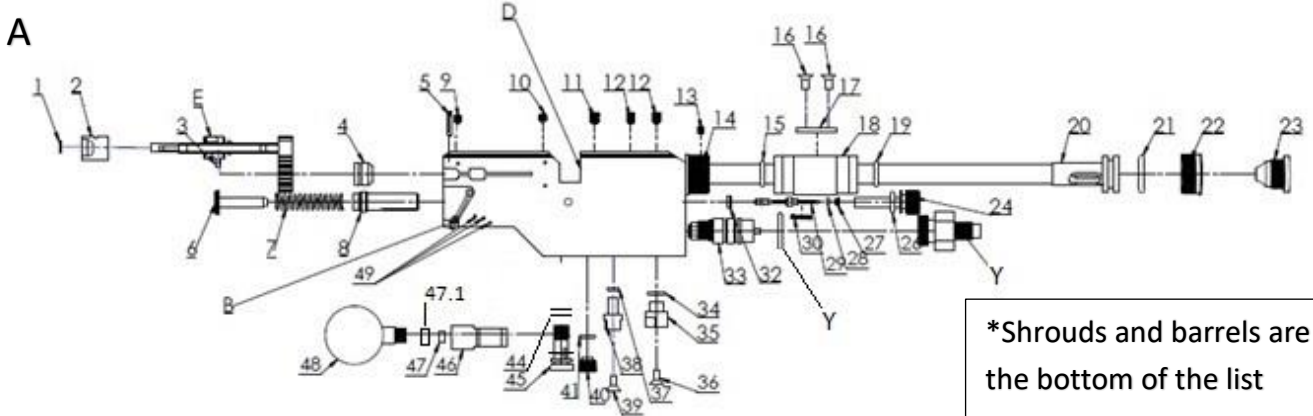


Model	Other model names	Date	Revision	Revision date
FX Bobcat MkI		2020-03-31	EN.	-



Model	Other model names	Date	Revision	Revision date
FX Bobcat Mkl		2020-03-31	EN.	-

NO	ART.NO	DESCRIPTION	NO	ART. NO	DESCRIPTION
1	19336	Cheek piece Bobcat	A32	19060	Complete SHP Valveseat
2	19317	Rail bobcat 5 hole	A32	19217	Valve seat Cal.30 Complete
3	19321	Stock Indy, >2013	A33	19043	Regulator, cpl. "optional"
4	19320	Stock Bobcat, 2014>			
5	N/A	N/A	A34	19327	O-ring 10,1x1,6 NBR70
6	16051	Adjustable recoil pad	A35	19302	Attachment 1/8" to M5
A1	5112	O-ring 5,28x1,78 NBR 70	A36	5203	Countersunk M5x10
A2	19029	Rear pellet probe guide	A37	5112	O-ring 5,28x1,78 NBR70
A3	11509	CPK 3h6x10	A38	19121	Stock attachment
A4 - 4,5	19013	Black plastic bushing	A39	5203	Countersink M5x10
A4 - 5,5	19012	Black plastic bushing	A40	19330	Plug
A4 - 6,35	19101	Black plastic bushing	A41	4528	O-ring 7,66x1,78 NBR 70
A4 - 7,62	19211	Black plastic bushing	A42	N/A	N/A
A5	19034	M3 special screw v7	A43	N/A	N/A
A6	11541	Hammer spring adjuster	A44	1511	Rubbersteel washer 1/8"
A6	11030	Hammer spring Adjuster M16x1x2,5			
A7	11500	Hammer spring			A45-Charging section
A8 - 6,35-5,5	11540	Hammer weight	A45	5107	O-ring 2,9 x 1,78 PUR 90
A8 -7,62	17003	Hammer weight v4	A45	19005	Inlet valve rod - Blue
A8	19039	Hammer v7			
A9	5203	Countersunk screw M5x10			Without regulator >2013
A10	2534	Conical grub screw M5x6 with tip	A45	19306H	Adaptor M7 - 1/8" Bobcat, >2013
A11	19086	Conical grub screw M6x8	A45	19334	Quick connetion - Regulated Bobcat >2013
A11 - 7,62	19224	Conical grub screw M8x8			Without regulator 2014>
A12	2503	Conical grub screw M5x8	A45	19333	Quickconnection Male Bobcat Mkl, Reg. 2014>
A12 -7,62	19086	Conical grub screw M6x8			With regulator >2013
A13	11201	Conical grub screw M5x4	A45	19306	Adaptor M7 - 1/8" Regulated Bobcat > 2014
A14	19314	Rear shroud mount bullpup	A45	19334	Quick connetion - Regulated Bobcat >2013
A15	12045	O-ring 13,95x2,62 NBR70			With regulator 2014>
A16	19025	Countersunk screw M5x8	A45	19337	Quickconnection - Regulated Bobcat 2014
A17	19014	Dovetail plate	A45	19306	Adaptor M7 - 1/8" Regulated Bobcat > 2014
A18	19316	Barrelsupport			
A19	12045	O-ring 13,95x2,62 NBR70	A46	19338	Copperpipe Bobcat Mkl, Regulator
A20	19028	Shroud compensator 4,5-5,5	A47	5003	Plastic Washer 4mm 1/8"
A21	19098	O-ring 18,0x4,0 NBR70	A47.1	5010	Plastic washer 8.5x2.6x1.0
A22	18010	Muzzle thread insert	A48	19347	Pressure gauge Bobcat 250bar
A23 - 4,5	17023	Muzzle	A49	19040	Cylindrical pin 2m6x23,5
A23 - 5,5	17000	Muzzle	B1	11503	Spring 0,5x2,5x4,4
A23 - 6,35	19112	Muzzle	B2	11527	Steelball 3,175
A23 - 7,62	19212	Muzzle	B3	11633	Grubscrew M2,5x8
A24	19009	Guide M16	B4	11508	Grubscrew M3x8
A25	N/A	N/A (See "Y")	B5	11027	Safety pivot
A26	5105	O-ring 9,3x2,4 NBR90	B6	11625	Safety lever 27,5mm Cyclone, Cutlas, Ranhero.
A27	19038	Spring seat v7	B7	11200	Safety knob
A28	5111	O-ring 2,5x1,5 NBR90	C1	11062	Adj screw second stage, soft
A29	7015	Valve pin V7 complete	C2	11524	Trigger base
A29	7019	Valve pin SHP - Complete	C3	2500	Grubscrew M3x6
A29	7019	Valve pin SHP - Complete	C4	11504-2	Spring 0,4x2,5x15
A30	2525	Spring 0,6x4x15	C5	11031	Trigger Sear
A31	N/A	N/A (See "Y")	C6	11525	Trigger roll
A32	7044	Complete Valveseat	C7	19315	Trigger block receiver side

Model	Other model names	Date	Revision	Revision date
FX Bobcat Mkl		2019-07-29	EN.20.01	2020-03-12

C8	16092	Grubscrew M3x4	H1	2502	Grubscrew M4x12
C9	2532	Socket head cap screw M3x12	H2	12033	Grubscrew 4x8 with flat tip
C10	13039	Countersunk M3x8	H3	11501	Spring 0,5x2,5x6,1
C11	2500	Grubscrew M3x6	H4	4066	Steelball 3mm
C12	16100	Magnet 3x5mm	H5	2508	Countersunk screw M3x10
C13	19305	Ballpin	H6	16083	Power wheel
C14	19312	Triggerextensin rod M3	H7	16082	Inner axel 4,5mm for power wheel
C15	19307	Trigger adjustment m3	H8	19117	O-ring 8x1 NBR70
C16	19167	Match trigger rail	H9	19109	O-ring 4x1,5 NBR70
C17	19303	Trigger connection			
C18	19040	Cylindrical pin 2m6x23,5	Y25	19056	Connector M20x1 v7
C19	19178	Screw M2x4	Y25.1	14005	Air cylinder connector
C20	19137	Trigger pin	Y25.2	17047	O-ring 11,91x2,62 NBR70
C21	19136	Adjustable Trigger shoe	Y25.3	12045	O-ring 13,95x2,62 NBR70
C22	16092	Grubscrew M3x4	Y25.4	19158	Adapter M20-M12
D1 – 4,5	2529	O-ring 4,3x1,5 NBR70	Y25.5	12046	O-ring 15,88x2,62 NBR90
D1 – 5,5	5108	O-ring 5,28x1,78			
D1 – 6,35	4526	O-ring 6,4x1,3 NBR 70			Airtubes
D1 - 7,62	19209	O-ring 7,5x1,5 NBR70	4,5-5,5	19345	Airtube 40x410 Complete BC Mkl
D2	5112	O-ring 5,28x1,78 NBR70	6,35-7,62	19340	Airtube 40x620 Complete
D2– 7,62	19210	O-ring 11,0x1,5 NBR70			
D3 – 4,5	2057	Barrel brass inlet .177			Barrels
D3 – 5,5	2056	Barrel brass inlet.22	4,5	12030	Barrel .177 14 – 485mm
D3 - 6,35	19104	Barrel brass inlet.25	5,5	12006	Barrel 55-14-485
D3 - 7,62	19207	Barrel brass inlet.30	6,35	19106	Barrel 6,35-14-600
E1	19021	Side lever linkage	7,62	19206	Barrel 7,62-14-600
E2	19042	Cylindrical pin 2mx6x8			Shrouds Sweden
E3 - 4,5	19011	Pellet probe 4,5	4,5 & 5,5	19099	Shroud 345mm R5
E3 – 5,5	19010	Pellet probe 5,5	6,35	19142	Shroud 447mm Extreme
E3 – 6,35	19192	Pellet probe 6,35			Shrouds export
E3 – 7,62	19200	Pellet probe 7,62	4,5 & 5,5	19129	Shroud 247mm
E4 – 4,5	19171	O-ring 4x2 NBR70	6,35 & 7,62	19328	Shroud 362,5mm .25-.30
E4 - 5,5	19332	O-ring 5x2 NBR70			
E4 – 6,35	19228	O-ring 6x2 NBR 70			Shroud version 2.
E4 – 7,62	19225	O-ring 7,5x2,0 NBR 70	1	5113	O-ring 20,24 x 2,62 NBR 70
E5	19026	Cylindrical pin 2,5m6x6	2 – 4,5 5,5	19122	Muzzle mkII
E6	19020	Sidelever v7	2 – 6,35	19124	Muzzle MkII 6,35
E7	19037	Side lever Handle v7	2 – 7,62	19125	Muzzle mkII 7,62
F1	19319	Tube end 40mm Solid - Bobcat 2014	3	19128	Thread cover M20
F2	19195	O-ring 28x3 NBR 90			
F3-F11	N/A	N/A			
F12	5105	O-ring 9,3x2,4 NBR 90			
F13	19331	Tube end for valve - Bobcat 2014			
F14	19195	O-ring 28x3 NBR 90			
F15	7018	Valvepin AirTube Complete			
F16	2525	Spring 0,6x4x15			
F17	7044	Valveseat complete			
F18	11013	Valve pin Nut			