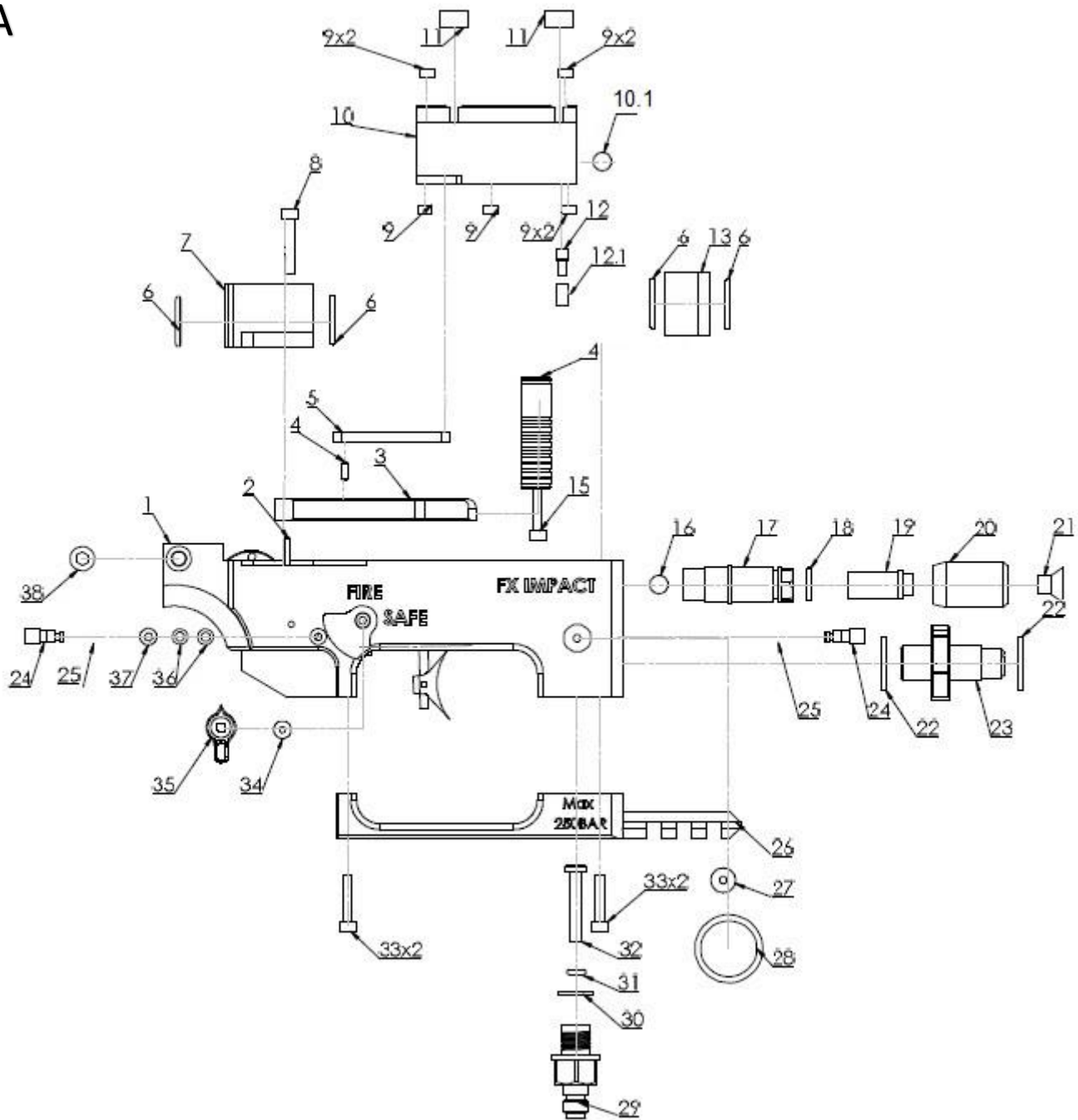


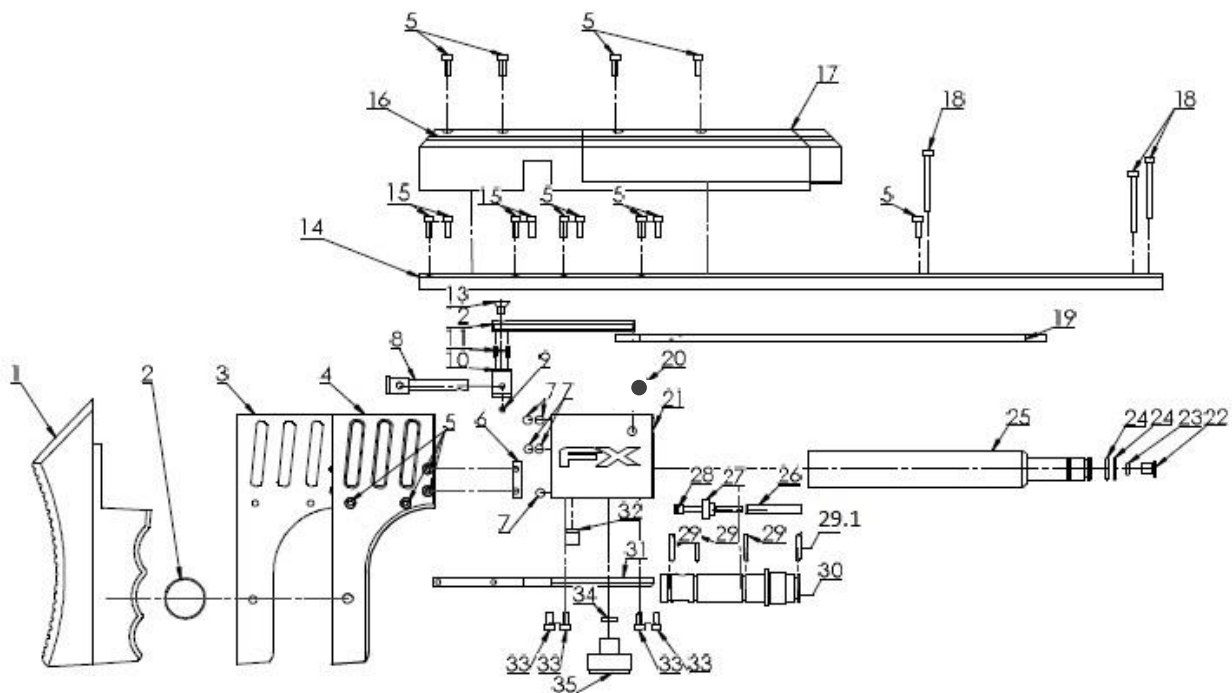
Model	Other model names	Date	Revision	Revision date
FX Impact		2018-06-19	EN.20.02	2020-03-30

A

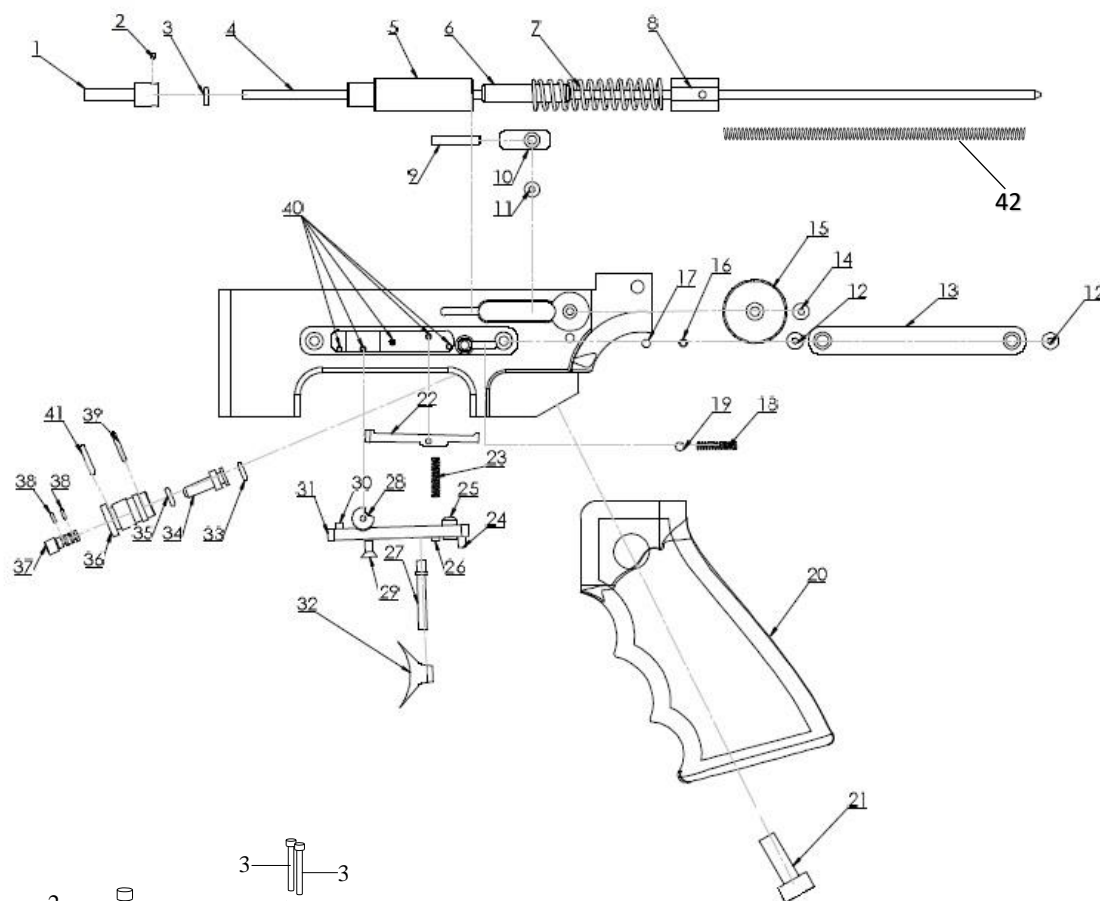


Model	Other model names	Date	Revision	Revision date
FX Impact		2018-06-19	EN.20.02	2020-03-30

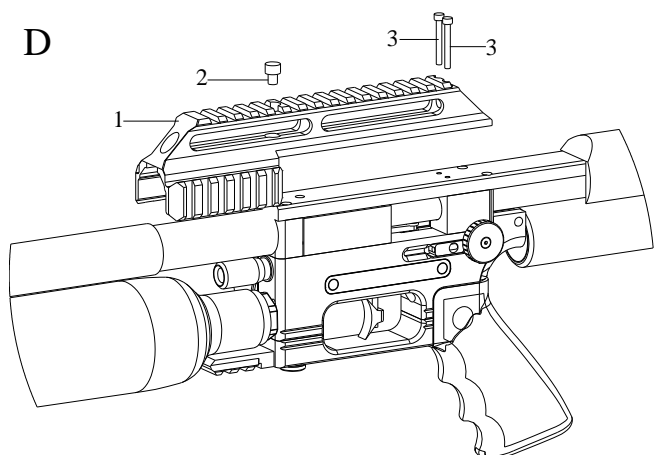
B



C



D



Model	Other model names	Date	Revision	Revision date
FX Impact		2018-06-19	EN.20.02	2020-03-30

NO	ART. NO	DESCRIPTION	NO	ART. NO	DESCRIPTION
A1	19690	Trigger block Impact Black	B23	19768	O-ring 2,84x2,62 PUR 90
A2	1501	Cylindrical pin 2,5m6x24	B24	19722	O-ring 9x1,5 NBR 70
A3	19638	Sidelever Imp, Crown, Str	B25	19615	Valvetube 20mm Impact
A4	19026	Cylindrical pin 2,5m6x6	B26	19603	Valve nut Impact
A5	19021	Side lever linkage	B27	19217	Valve seat Cal.30 Complete
A6	19718	O-ring 14x1,5 NBR 70	B28	7064	Valvepin Impact complete
A7	19650	Rear Support Impact	B29	19677	O-ring 10,5x2 NBR 70
A8	19740	Socket head cap screw M3x22	B29.1	19718	O-ring 14x1,5 NBR 70
A9	19652	Delrin Puck 5	B30	19605-1	Valvehousing Impact
A10	19691	Reloading block	B31	19630	Platemount Impact
A10.1	2531	Rubberball 5,54 NBR 70	B32	19224	Cup point grub screw M8x8
A11	19653	Delrin Puck 9,9	B33	19713	Socket head cap screw M3x6
A12	19672	Hammer pin	B34	19723	Plastic Washer "Thin" Impact Regulator Gauge
A12.1	N/A	N/A	B35	19772	Pressure Gauge 23mm Dreamline 300bar
A13	19651	Front Support Impact	C1	19604	Hammer seat
A14	19611	Side lever handle B2-WC-IM	C2	19741	Grub screw M2x2
A15	11060	Socket head cap screw M3x18	C3	5107	O-ring 2,9x1,78 PUR 90
A16	11599	Rubber ball 6,35 NBR90	C4	19647	Valve Rod
A17	19616	Valvestop Impact	C5	19622	Impact Hammer HP - Depth 20mm
A18	19722	O-ring 9x1,5 NBR 70	C6	19623	Spring guide Impact
A19	19668	Valve adjuster screw	C7	11500	Hammer spring
A20	19669	Valve adjusterknob Impact	C8	19609	Spring holder Impact
A21	19717	Countersunk screw M6x8	C9	19683	Grub screw M3x18
A22	11507	Rubber/Steel Washer	C10	19602	Hammer adjuster
A23	19659	Bottle connector Impact	C11	19715	Socket head cap screw M3x5
A24	19694	Brass adapter impact.	C12	2504	Countersunk screw M3x6
A25	19761	O-ring 2,2x1 NBR 70	C13	19693	Impact sprintholder
A26	19689	Triggerguard Black Impact	C14	2508	Countersunk screw M3x10
A27	19762	X-ring 3,63x2,62 NBR 70	C15	19608	Power adjuster Impact
A28	19772	Pressure Gauge 23mm Dreamline 300bar	C16	11501	Spring 0,5x2,5x6,1
A29	16303	Quick connector short	C17	4066	Steel ball 3mm
A30	19720	O-ring 10x1 NBR 90	C18	11501	Spring 0,5x2,5x6,1
A31	5107	O-ring 2,9x1,78 PUR 90	C19	4066	Steel ball 3mm
A32	19005	Inlet valve rod - Blue	C20	19710	Houge Grip Rubber AR15
A33	19682	Socket head cap screw M3x16	C21	19743	Socket head cap screw M6x20
A34	2504	Countersunk screw M3x6	C22	19636	Triggersear
A35	19610	Safety	C23	11504	Spring 0,32x3,2x14,4 v2.3
A36	19736	Plastic Washer 5,3x3,1x1	C24	19742	Grub screw M3x8
A37	19715	Socket head cap screw M3x5	C25	11062	M5 secondstage std
A38	14500	Socket head cap screw M5x16	C26	2500	Grub screw M3x6
B1	19618	Recoilpad	C27	19613	Triggermount Impact
B2	19728	Adjustment Screw Recoilpad Impact	C28	11525	Trigger wheel
B3	19646	Left plate impact	C29	2504	Countersunk M3x6
B4	19645	Right plate impact	C30	2500	Grub screw M3x6
B5	12610	Socket head cap screw M3x8	C31	19637	Triggerbase Impact
B6	19606	Magazine holder Impact	C32	19136	Adjustable triggerblade
B7	5110	Rubberball 4,75 NBR 70	C33	19109	O-ring 4x1,5 NBR 70
B8	19620	Pellet probe Impact .22	C34	19696-1	Regulator rod, <i>until April 2017</i>
B9	19748	Grub screw M3x7, <i>until ser.no. 191084</i>	C34	19696	Regulator rod, <i>from April 2017</i>
B9	19643	Grub screw, Pellet probe, M4, <i>from serial no.191084</i>	C35	19109	O-ring 4x1,5 NBR 70
B10	19614	Pellet probe holder, <i>revision 4, until serial No. 191084, (use with 19748)</i>	C36	19697	Regulator housing, <i>until serial no. 183534</i>
B10	19614	Pellet probe holder, <i>revision 5, from serial no. 191084, (use with 19643)</i>	C36	19697-1	Regulator housing, <i>from ser.no. 183534</i>
B11	19601	CPK 2h6x6	C37	19695	Regulator screw
B12	19612	Pellet probe guide	C38	19731	O-ring 2x1 NBR 90
B13	2505	Countersunk screw m4x10	C39	19763	O-ring 9x1,5 NBR 90, <i>until serial no. 183534</i>
B14	19642	Guiding Plate Impact	C39	19790	O-ring 10x1,5 NBR90, <i>from ser.no. 183534</i>
B15	2527	MC6S M3x10	C40	19040	CPK 2m6x24
B16	N/A	-	C41	4528	O-ring 7,66x1,78 NBR 70 <i>until ser. no. 183534</i>
B17	19779	Cheek piece for Impact (January 2019)	C41	19225	O-ring 7,5x2 NBR70, <i>from ser.no. 183534</i>
B18	11506	Socket head cap screw M3x30	C42	19735	Spring 0,75x5x175
B19	19667	Reloading Bar	D1	19644	Rail Picatinny x3 Impact Black
B20	19846	Grub screw M6x6	D1	19639	Picatinny Rail x3 Impact Silver
B21	19698	Rear block Impact	D2	19684	Socket head cap screw M5x8
B22	19674	O-ring valve tube stop	D3	2554	Socket head cap screw M3x25