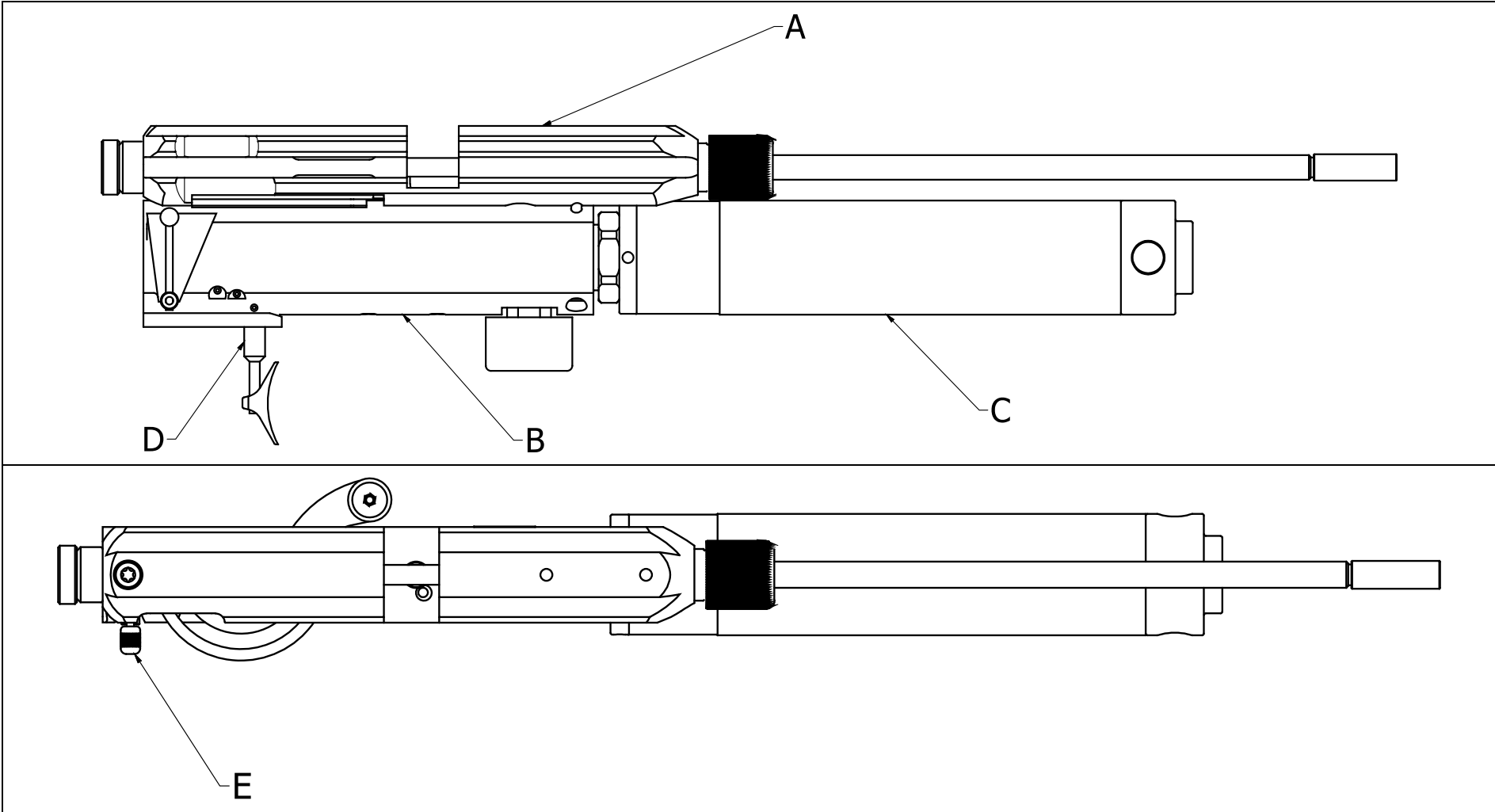
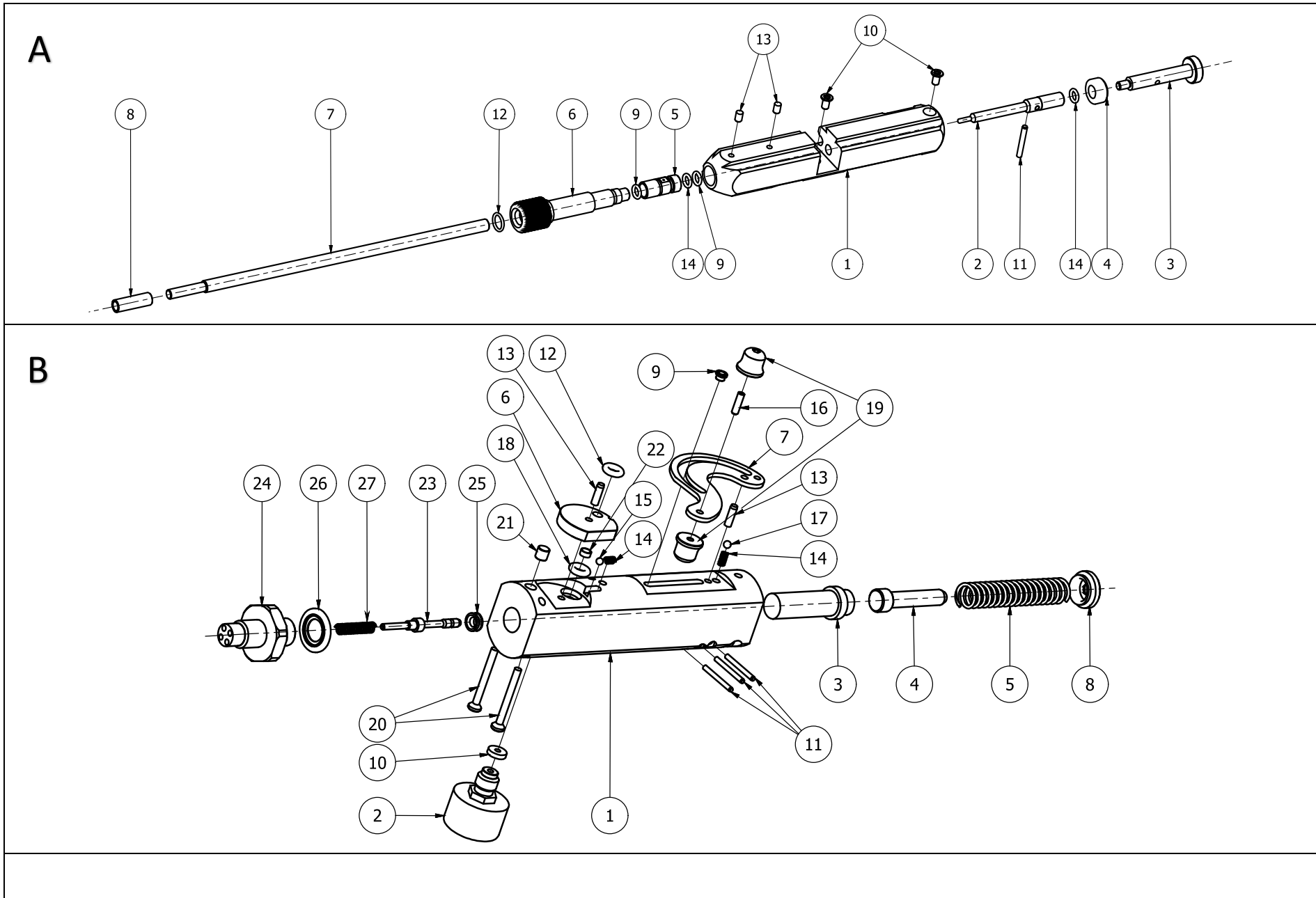


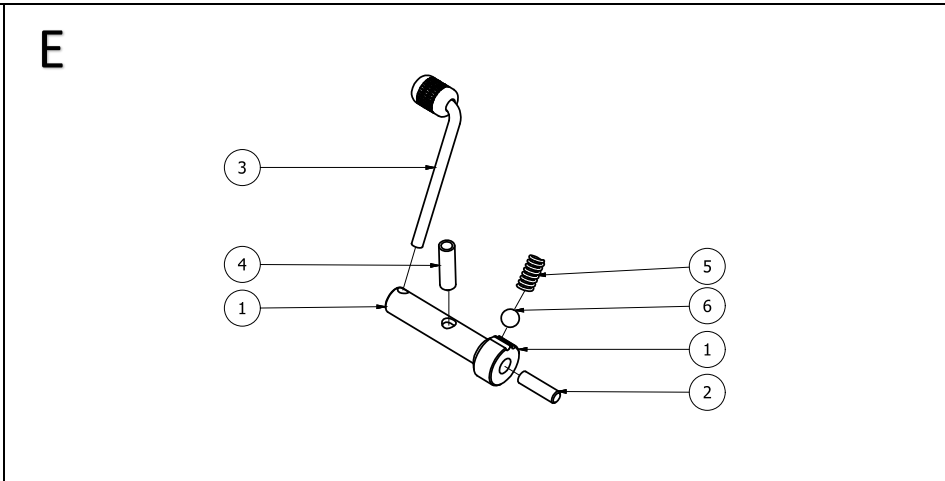
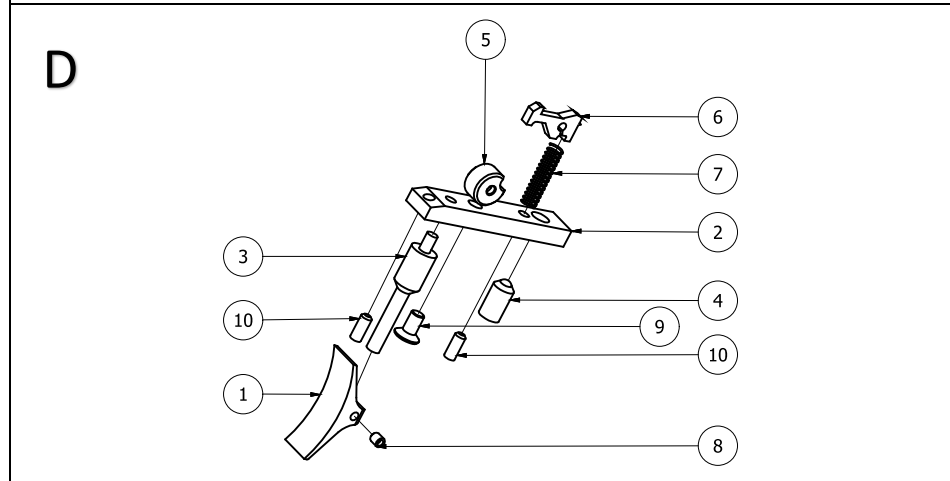
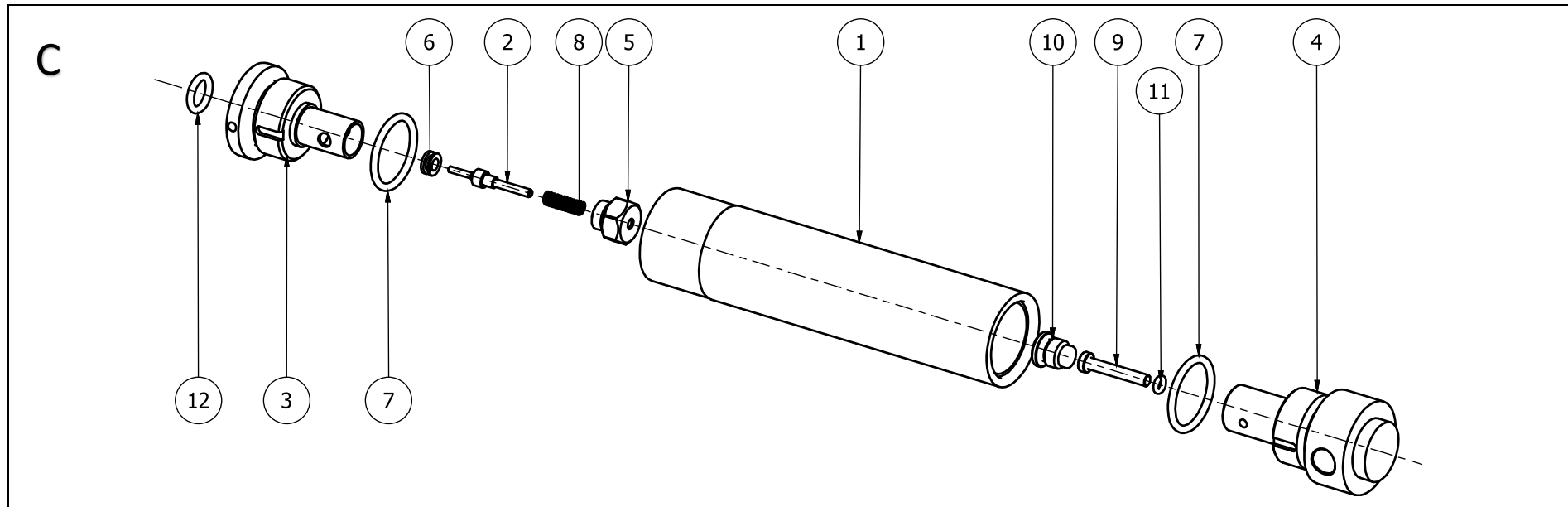
Model	Other model names	Date	Revision	Revision date
Ranchero		2019-05-14	EN.20.2	2020-04-15



Model	Other model names	Date	Revision	Revision date
Ranchero		2019-05-14	EN.20.2	2020-04-15



Model	Other model names	Date	Revision	Revision date
Ranchero		2019-05-14	EN.20.2	2020-04-15



<b>Model</b>	<b>Other model names</b>	<b>Date</b>	<b>Revision</b>	<b>Revision date</b>
Ranchero		2019-05-14	EN.20.2	2020-04-15

NO	ART. NO	DESCRIPTION	NO	ART. NO	DESCRIPTION
A1	11045	Barrelhousing V2	B25	7044	Valve Seat Complete
A2	11025	Pellet Probe .22	B26	11507	Rubber/Steel Washer
A3	11012	Thumb Return Screw	B27	11627	Spring 0,6 x 4 x 20
A4		Distance Washer Thumb Screw			
A5	19152	Bushing For Arrowbarrel	C1	12053	Air Cylinder 140mm
A6	19153	Mount For Arrowbarrel	C2	7018	Valve pin for Air tube, Complete
A7	13033	Arrowbarrel Ranchero	C3	11035	Air Cylinder End (Brass)
A8	13036	Barrel sleeve .22 Arrowbarrel Ranchero	C4	11029	Air Cylinder End Inlet
A9	5108	O-ring 5,28 x 1,78 NBR 70	C5	11013	Valve Pin Nut
A10	11511	Countersunk screw M4x8 (Torx)	C6	7044	Valve Seat Complete
A11	11514	Cylindrical Pin 3m6x22	C7	11624	O-ring 22 x 2,5 NBR 70
A12	19711	O-ring 8,5 x 1,5 NBR 70	C8	2525	Spring 0,6 x 4 x 15
A13	2501	Cup point grub screw M4x6	C9	11615	High Performance Inlet Valve
A14	5108	O-ring 5,28 x 1,78 PUR 70	C10	19035	Plug 1/8"
			C11	5107	O-ring 2,9 x 1,78 PUR 90
B1	11044	Main Body	C12	5105	O-ring 9,3 x 2,4 NBR 90
B2	11505	Pressure Gauge 25mm 1/8"			
B3	11023	Hammer	D1	19136	Adjustable Trigger Blade
B4	11540	Hammer Weight	D2	11524	Trigger Base
B5	11500	Hammer Spring	D3	19150	Trigger Shoe Mount Short
B6	11642	Power Adjuster 1 Hole	D4	11015	Second stage trigger screw M5
B7	11033	Sidelever	D5	11525	Trigger Wheel
B8	11541	Hammer spring adjuster	D6	11031	Trigger Sear
B9	12028	Sidelever Bearing	D7	11504	Spring 0,32 x 3,2 x 14,4
B10	5005	Plastic Washer 2mm 1/8"	D8	12035	Grub Screw M2,5 x 2,5
B11	11502	Cylindrical Pin 2h6x20	D9	2504	Countersunk Screw M3x6
B12	11623	O-ring 4,42 x 2,62 NBR 90	D10	2500	Grub Screw M3x6
B13	11509	Cylindrical Pin 3h6x10			
B14	11503	Spring 0,5 x 2,5 x 4,4	E1	11027	Safety Pivot
B15	4066	Steel Ball 3mm	E2	11633	Grub Screw M2,5 x 8
B16	11508	Grub Screw M3x10	E3	11625	Safety lever 27,5mm Cyclone, Cutlas, Ranchero.
B17	11547	Steel Ball 3.5mm	E4	11508	Grub Screw M3 x 10
B18	1504	O-ring 4,42 x 2,62 NBR 70	E5	11501	Spring 0,5 x 2,5 x 6,1
B19	11063	Cocking Bolt	E6	11527	Steel Ball 3,175
B20	11506	Socket Head Cap Screw M3x30			
B21	11626	Spacer 4,8			
B22	11536	Air Transfer Port - High Flow			
B23	7035	Valve Pin Complete V2			
B24	11032	Air Cylinder Connector			