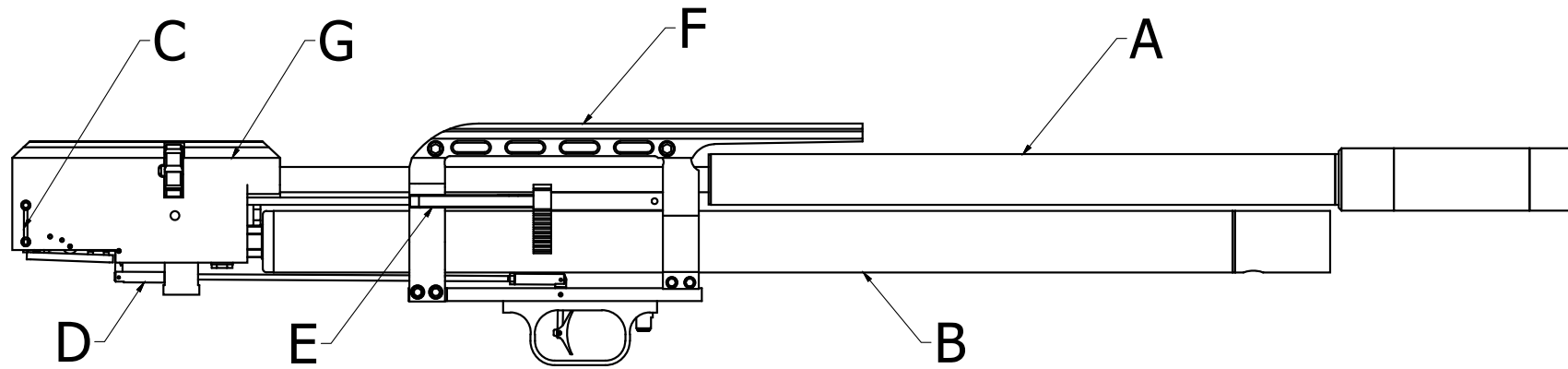
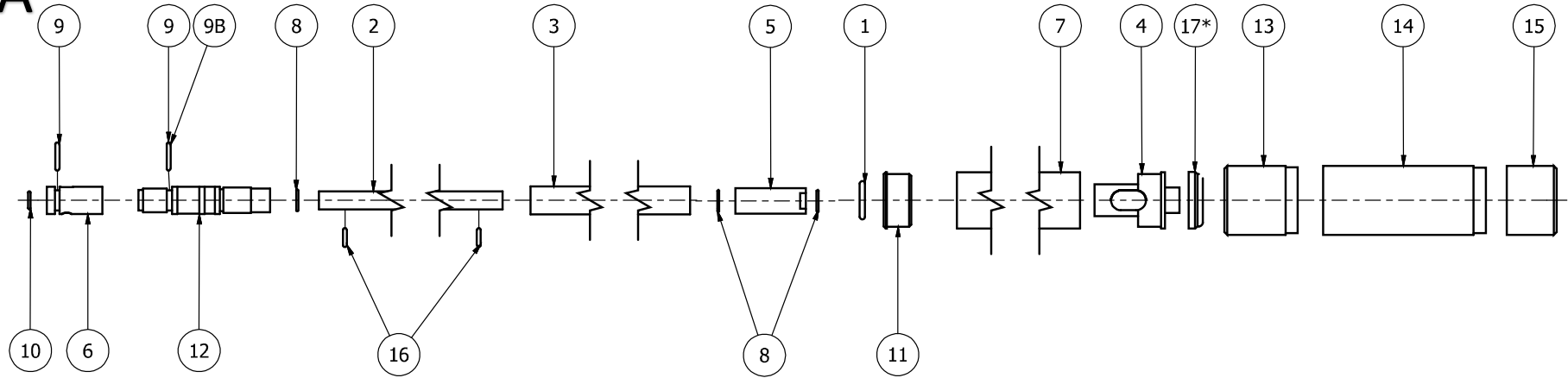


Model	Other model names	Date	Revision	Revision date
FX Wildcat MKII		2019-11-26	EN.20.02	2020-04-14



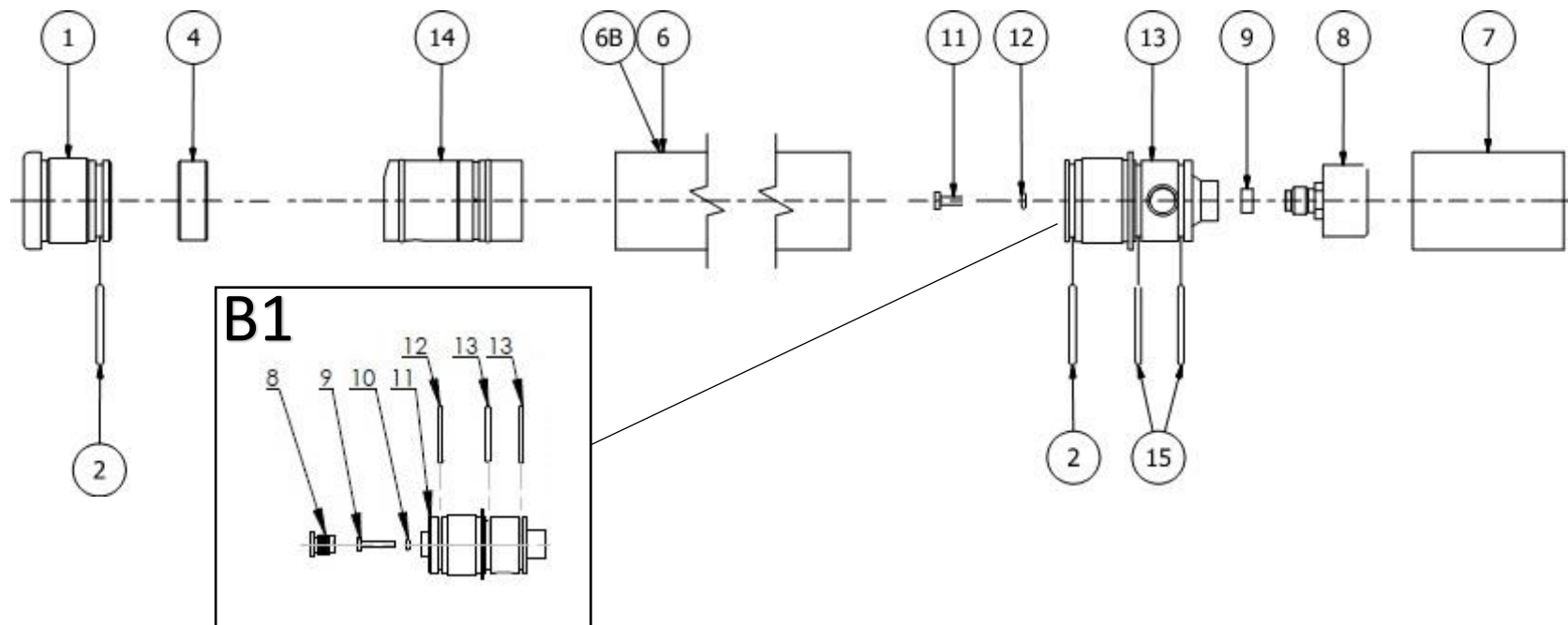
Model	Other model names	Date	Revision	Revision date
FX Wildcat MKII		2019-11-26	EN.20.02	2020-04-14

**A**



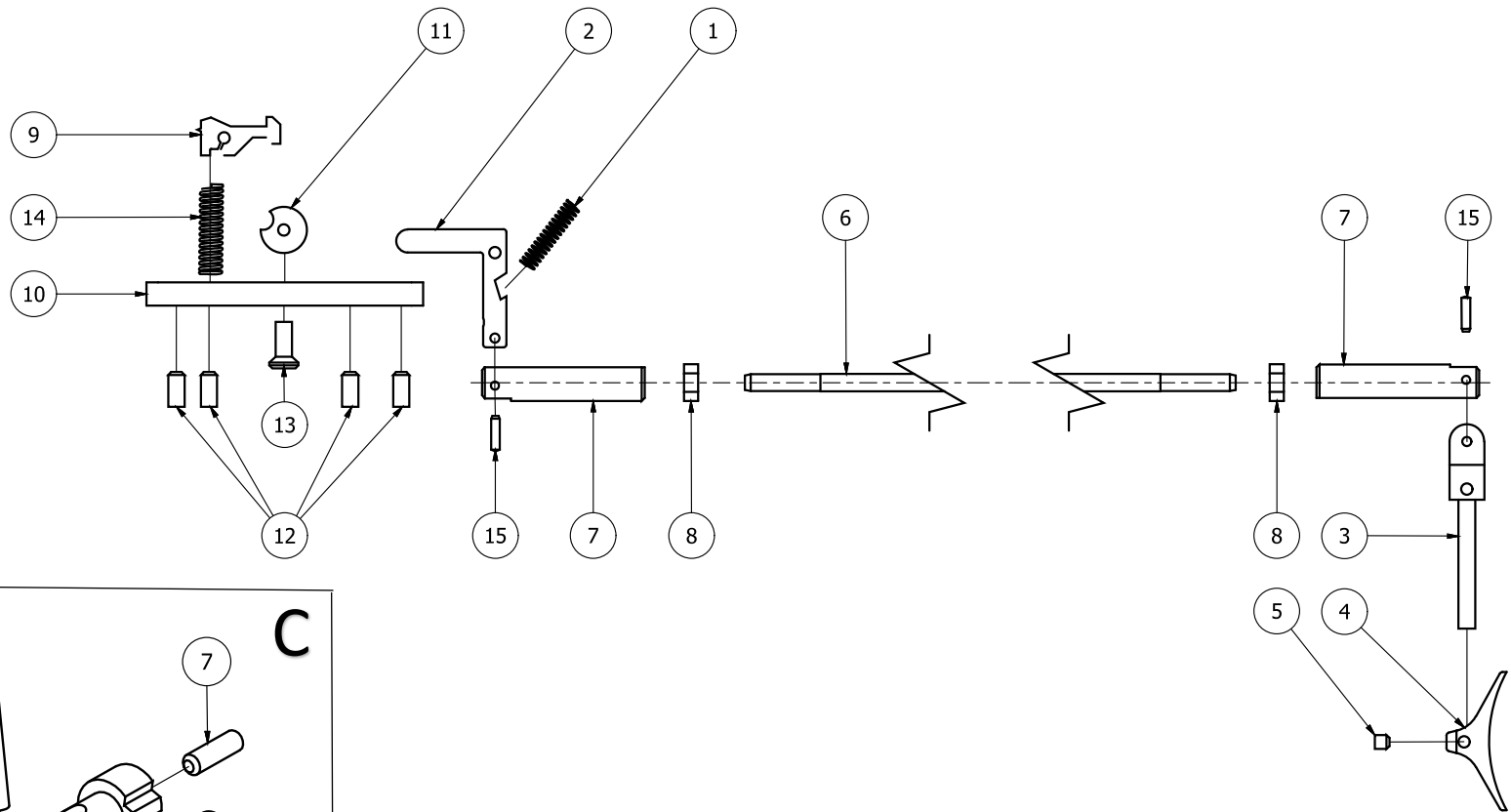
\* = Only on 10J, CAN and AUS models

**B**

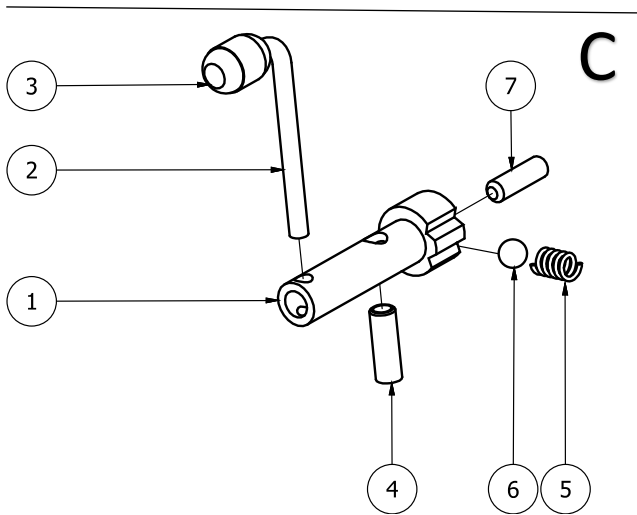


Model	Other model names	Date	Revision	Revision date
FX Wildcat MKII		2019-11-26	EN.20.02	2020-04-14

**D**

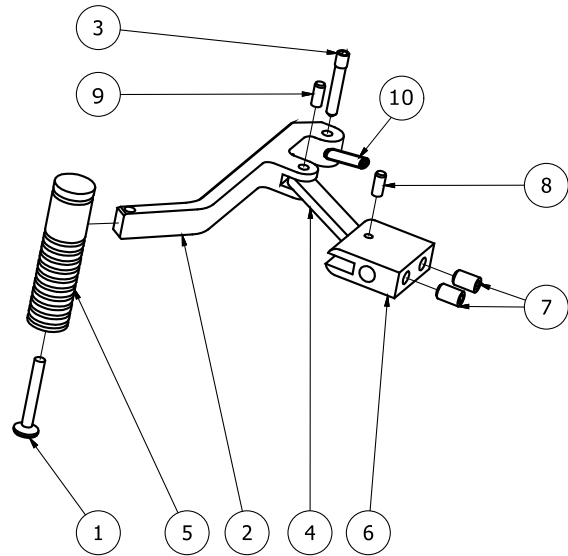


**C**

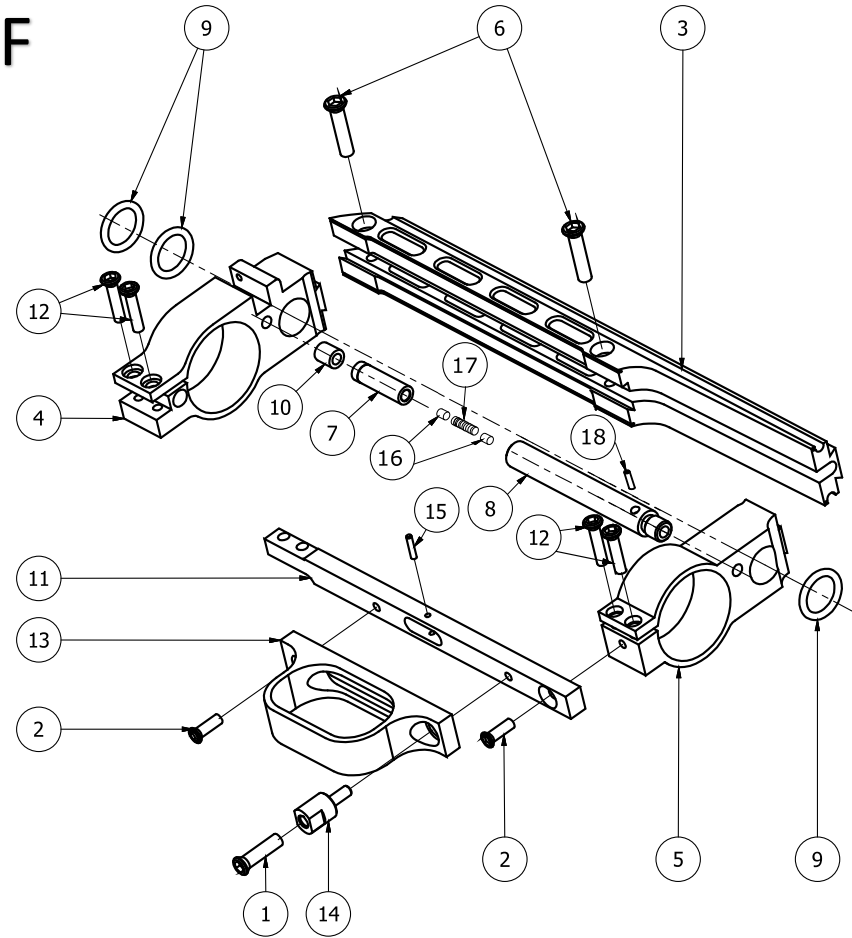


Model	Other model names	Date	Revision	Revision date
FX Wildcat MKII		2019-11-26	EN.20.02	2020-04-14

## E

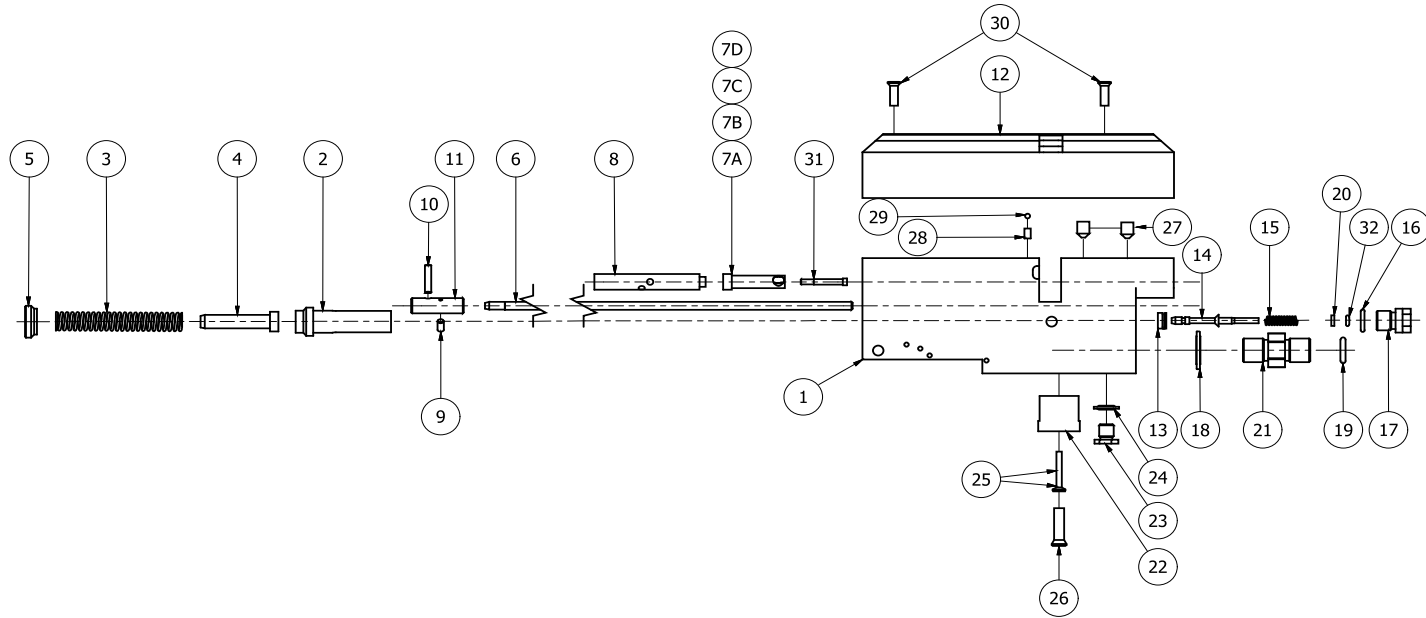


## F

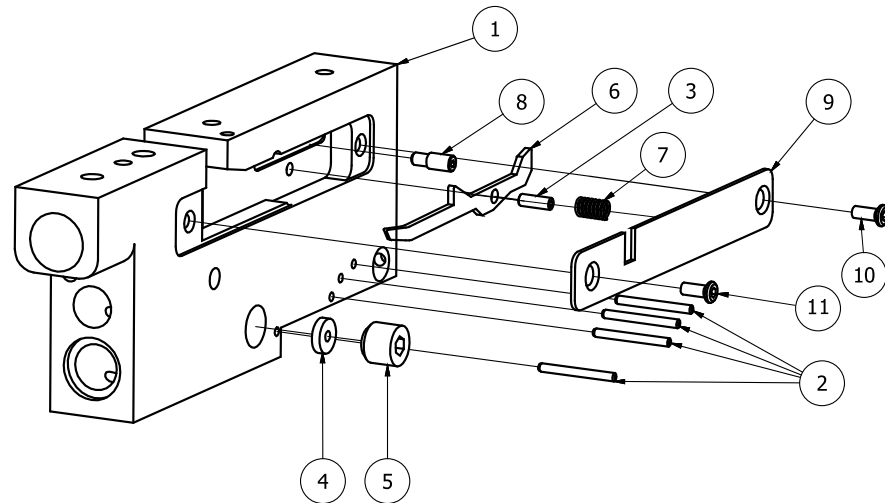


Model	Other model names	Date	Revision	Revision date
FX Wildcat MKII		2019-11-26	EN.20.02	2020-04-14

# G1



# G2



Model	Other model names	Date	Revision	Revision date
FX Wildcat MKII		2019-11-26	EN.20.02	2020-04-14

NO	ART. NO	DESCRIPTION	NO	ART. NO	DESCRIPTION	NO	ART. NO	DESCRIPTION
<b>A-Barrel .177</b>			A5	19970	Liner Lock .25	B9	5005	Plastic Washer 2mm 1/8"
A1	12045	O-ring 13,95x2,62 NBR 70	A6	19591	Barrel inlet .25 Wildcat MKII	B10		N/A
A2	19964	STX Liner .177 500mm Pellet A	A7	19099	Shroud 345mm R5	B11	11511	Countersunk screw M4x8 (Torx)
A3	19973	Barrel House 14x1x435mm	A8	19954	O-ring 9 x 1 NBR 70	B12	19109	O-ring 4x1,5 NBR 70
A4	19794	Compensator fixed .177-.22 UNF1/2"	A9	19703	O-ring 10 x 2 NBR 70	B13	19542	Front Tube End Pressure Gauge
A5	19968	Liner Lock .177	A10	2575	O-ring 6,35 x 1,27 NBR 70	B14	20199	Regulator Complete
A6	19589	Barrel inlet 4,5 Wildcat MKII	A11	19588	Shroud Start Wildcat MKII	B15	19484	O-ring 24 x 2 NBR70
A7	19573	Shroud 230mm Wildcat US .22	A12	19962	Barrel Attchment .25			
A8	19837	O-ring 7 x 1 NBR 70	A13	19997	Shroud Start 35mm UNF 1/2"	<b>B1 – until January 2019</b>		
A9	19703	O-ring 10 x 2 NBR 70	A14	19680	Shroud Mid Part 35mm UNF 1/2"	B1-8	19530	Plug 1/8" Gold BC Wildcat
A10	2529	O-ring 4,3 x 1,5 NBR 70	A15	19663	Shroud endcap .25 35mm	B1-9	19329	Inlet valve rod "gold"
A11	19588	Shroud Start Wildcat MKII	A16	19953	O-ring 5,5 x 2 NBR 70	B1-10	5111	O-ring 2,5 x 1,5 NBR 90
A12	19960	Barrel Attachment .177				B1-11	19542	Front tube end pressure gauge
A13	19997	Shroud Start 35mm UNF 1/2"	<b>A-Barrel .30</b>			B1-12	19485	O-ring 23,0x2,5 NBR 70
A14	19680	Shroud mid part 35mm	A1	12045	O-ring 13,95x2,62 NBR 70	B1-13	19484	O-ring 24x2 NBR 70
A15	19663	Shroud endcap .25 35mm	A2	19967	STX Liner .30 600mm Pellet A			
A16	19958	O-ring 6,02 x 2,62 NBR 70	A3	19972	Barrel House 550mm	C1	19513	Safety Pivot
			A4	19999	Compensator fixed .30 UNF1/2"	C2	19584	Safety Lever
<b>A-Barrel .22</b>			A5	19971	Liner Lock .30	C3	11200	Safety Knob
A1	12045	O-ring 13,95x2,62 NBR 70	A6	19593	Barrel inlet .30 Wildcat MKII	C4	19742	Grub Screw M3x8
A2	19965	STX Liner .22 500mm Pellet A	A7	19099	Shroud 345mm R5	C5	11503	Spring 0,5 x 2,5 x 4,4
A3	19973	Barrel House 14x1x435mm	A8	19145	O-ring 10 x 1 NBR 70	C6	4066	Steel Ball 3.0
A4	19794	Compensator fixed .177-.22 UNF1/2"	A9	19703	O-ring 10 x 2 NBR 70	C7	11633	Grub Screw M2,5 x 8
A5	19969	Liner lock .22 Crown	A9B	19210	O-ring 11 x 1,5 NBR 70			
A6	19590	Barrel inlet .22 Wildcat MKII	A10	19209	O-ring 7,5 x 1,5 NBR 70	D1	19498	Spring 0,2 x 2,5 x 13,1
A7	19573	Shroud 230mm Wildcat US .22	A11	19588	Shroud Start Wildcat MKII	D2	19527	Wildcat L Triggerpart
A8	19117	O-ring 8 x 1 NBR 70	A12	19963	Barrel Attchment .30	D3	19506	Trigger Mount
A9	19703	O-ring 10 x 2 NBR 70	A13	19997	Shroud Start 35mm UNF 1/2"	D4	19136	Adjustable Trigger Blade
A10	19726	O-ring 5,5 x 1,5 NBR 70	A14	19680	Shroud Mid Part 35mm UNF 1/2"	D5	12035	Grub Screw M2,5x2,5
A11	19588	Shroud Start Wildcat MKII	A15	19664	Shroud endcap .30 35mm	D6	19518	Trigger pin Wildcat
A12	19961	Barrel Attachment .22	A16	5125	O-ring 6,5 x 1,5 NBR 70	D7	19574	Metal Clevis M3 Wildcat
A13	19997	Shroud Start 35mm UNF 1/2"				D8	19482	Nut M3
A14	19680	Shroud Mid Part 35mm UNF 1/2"	B1	19543	Rear Tube End Wildcat	D9	19177	Trigger Sear v7,8,12
A15	19663	Shroud endcap .25 35mm	B2	19485	O-ring 23 x 2,5 NBR 70	D10	19528	Triggerbase Wildcat
A16	19952	O-ring 5,23 x 2,62 NBR 70	B3		N/A	D11	11525	Trigger Wheel
			B4	19514	Regulator Spacer	D12	2500	Grub Screw M3x6
<b>A-Barrel .25</b>			B5		N/A	D13	2504	Countersunk Screw M3x6
A1	12045	O-ring 13,95x2,62 NBR 70	B6	19556	Tube 34x570	D14	5204	Spring 0,5 x 3 x 15
A2	19966	STX Liner .25 600mm Pellet A	B6B	19555	Tube 34x410	D15	19585	Cylindrical Pin 1,5m6x6
A3	19972	Barrel House 550mm	B7	19544	Dust Cover Wildcat	E1	11060	Socket Head Cap Screw M3x18
A4	19998	Compensator fixed .25 UNF1/2"	B8	11505	Pressure gauge 25mm 1/8"	E2	19529	Side Lever Wildcat

Model	Other model names	Date	Revision	Revision date
FX Wildcat MKII		2019-11-26	EN.20.02	2020-04-14

E3	19034	Screw M3 Special	G1-13	19060	Valve Seat SHP Complete			
E4	19021	Side Lever Linkage	G1-14	7052	Valve pin Wildcat SHP complete			
E5	19611	Side Lever Handle B2-IM-Wildcat	G1-15	2525	Spring 0,6 x 4 x 15*			
E6	19507	Slide Mount Reloading	G1-16	4528	O-ring 7,66 x 1,78 NBR 70			
E7	2637	Grub Screw M4 x 6 Flat	G1-17	19508	Valvehousing			
E8	19042	Cylindrical Pin 2m6x6	G1-18	11507	Rubber/Steel Washer			
E9	19026	Cylindrical Pin 2m6x6	G1-19	19486	O-ring 8,3 x 2,4 NBR 70			
E10	12033	Conical grub screw M4x8	G1-20	19550	Valve Bushing 5,4mm			
F1	19483	Countersunk Screw M5x16	G1-21	19505	Connector M12 x 1			
F2	2505	Countersunk Screw M4x10	G1-22	19515	Stock Mount			
F3	19525	Wildcat Rail	G1-23	19510	Plug M7			
F4	19523	Rear Barrel Support	G1-24	19499	Rubberseal washer M7 (6,7mm)			
F5	19524	Front Barrel Support	G1-25	11060	Socket head cap Screw M3x18			
F6	4509	Socket Head Cap Screw M5 x 20	G1-26	19483	Countersunk Screw M5x16			
F7	19540	Long reloading rod bushing	G1-27	19086	Conical Grub Screw M6x8			
F8	19511	Reloading Rod Guide	G1-28	16100	Magnet 3x5			
F9	12045	O-ring 13,95x2,62 NBR 70	G1-29	19185	Steel Ball 2.38			
F10	19541	Short Bushing For Reloading Rod	G1-30	15032	Socket head cap screw M4x8			
F11	19526	Trigger plate Wildcat	G1-31	19579	Pelletprobe screw Wildcat MKII			
F12	5201	Socket Head Cap Screw M4x16	G1-32	5102	O-ring 2,57 x 1,78 NBR 90			
F13	15008	Trigger Guard HW98	G1-33	19586	Spring aligner			
F14	19547	Stock attachment M5-4M						
F15	19213	Cylindrical Pin 2h6x10	G2-1	19599	Main Block Wildcat			
			G2-2	11502	Cylindrical pin 2h6x20			
G1-1	19599	Main Block Wildcat	G2-3	19742	Grub Screw M3x8			
G1-2	19039	Hammer V7	G2-4	5005	Plastic Washer 2mm 1/8"			
G1-3	11500	Hammer spring	G2-5	19548	Brass Plug G1/8			
G1-4	19215	Hammer weight	G2-6	19571	Index Lever			
G1-5	11030	Hammer Spring Adjuster	G2-7	2520	Spring 0,5 x 4 x 7			
G1-6	19516	Reloading Rod	G2-8	19549	Indexing M3 Screw			
G1-7A	19520	Pellet probe .177 Wildcat	G2-9	19572	Side Plate Wildcat			
G1-7B	19577	Pellet probe .22 front Wildcat MKII	G2-10	2504	Countersunk Screw M3x6			
G1-7C	19578	Pellet probe .25 front Wildcat MKII	G2-11	2552	Countersunk screw M3x4			
G1-7D	19494	Pellet probe .30 front Wildcat MKII						
G1-8	19576	Pelletprobe Base Wildcat MKII						
G1-9	19491	Cylindrical Pin 3m6x6	<b>10J / 12FP</b>					
G1-10	19490	Cylindrical Pin 3h6x14	G1-3	16024	Hammerspring v3,v4			
G1-11	19501	Aligner	G1-15	19580	Spring 0,75 x 4 x 20			
G1-12	19531	Wildcat Cheek Piece 2018	A-17	19128	Thread Cover M20			