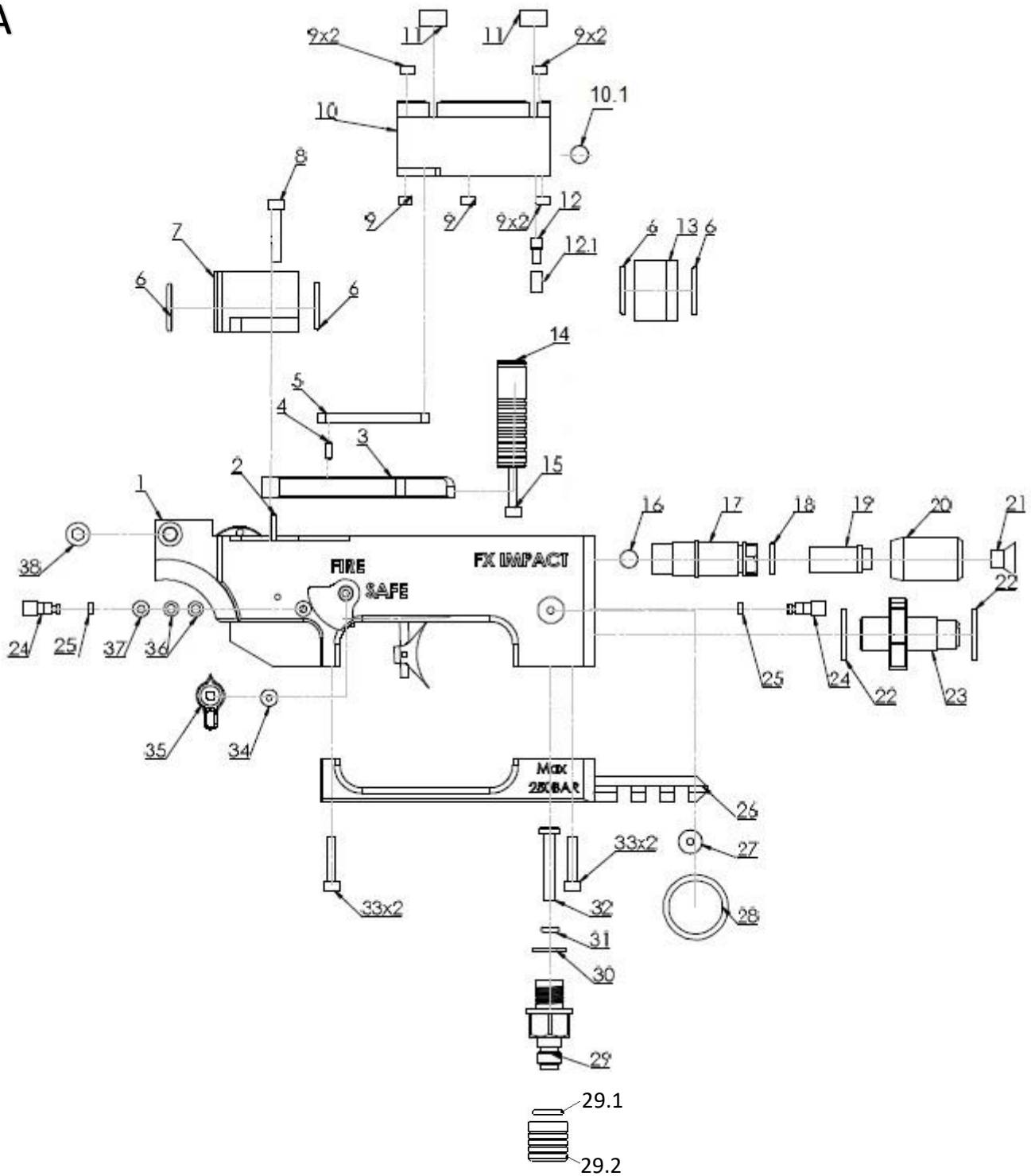


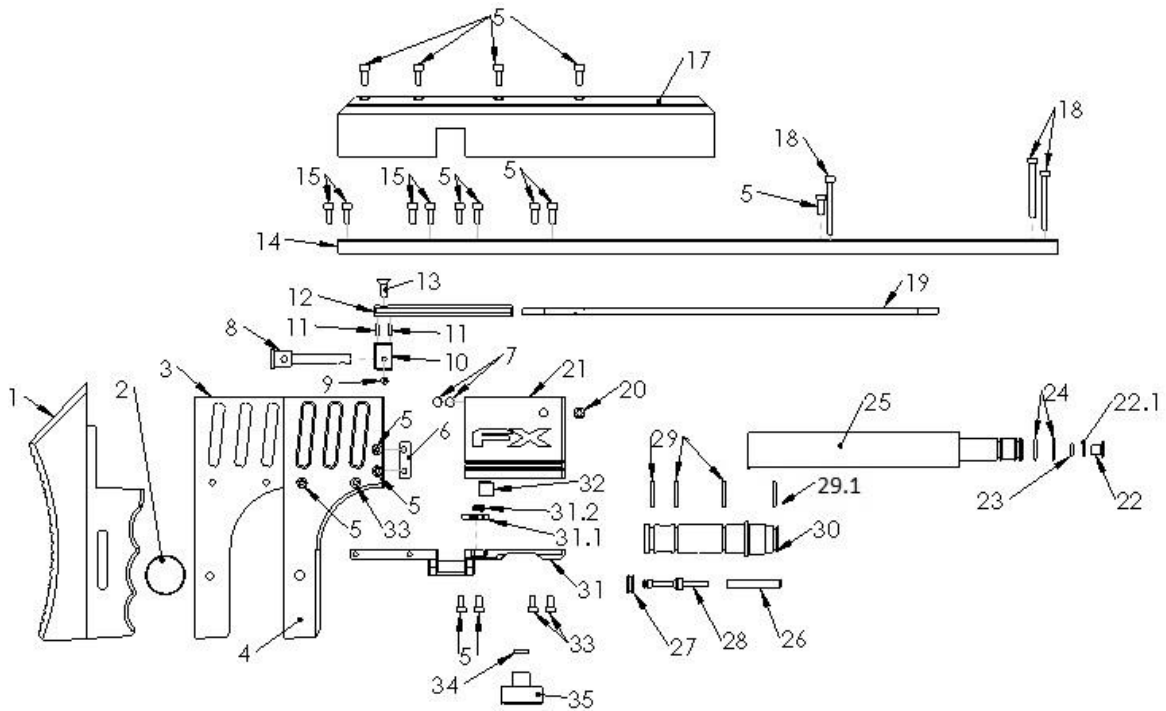
| Model | Other model names | Date | Revision | Revision date |
|----------------|-------------------|------------|----------|---------------|
| FX Impact MkII | | 2019-08-02 | EN.20.05 | 2020-07-08 |

A

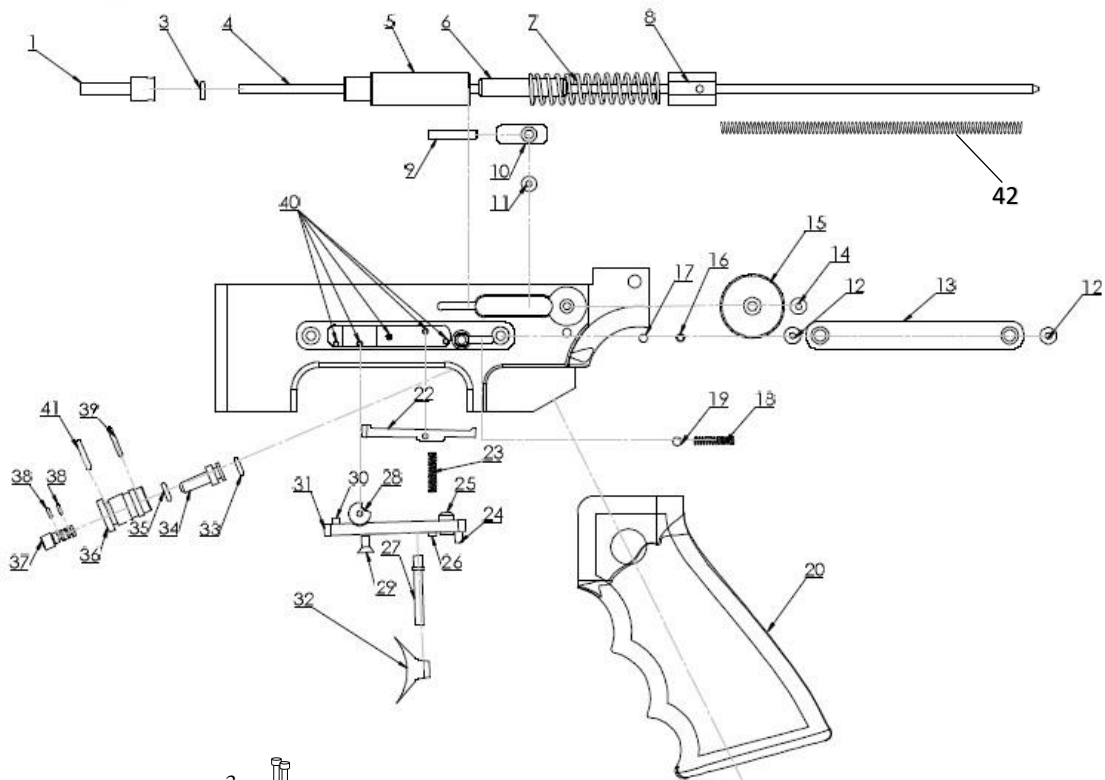


| Model | Other model names | Date | Revision | Revision date |
|----------------|-------------------|------------|----------|---------------|
| FX Impact MkII | | 2019-08-02 | EN.20.05 | 2020-07-08 |

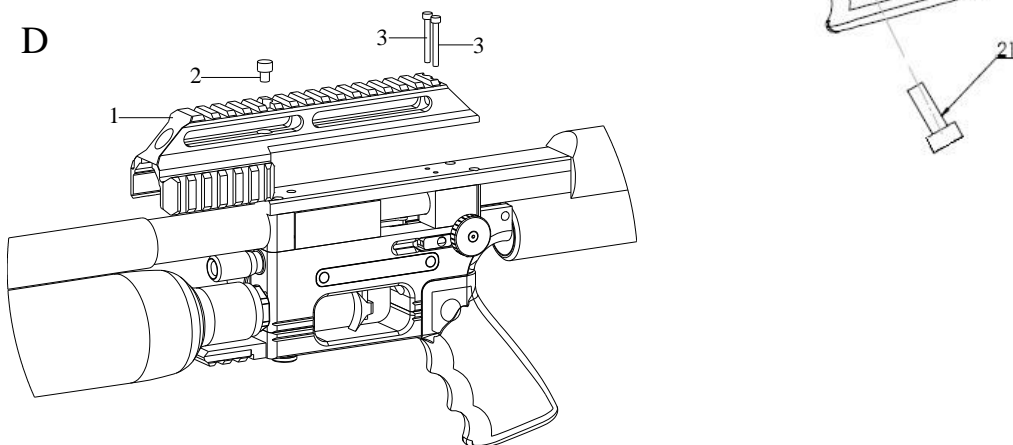
B



C



D



| Model | Other model names | Date | Revision | Revision date |
|----------------|-------------------|------------|----------|---------------|
| FX Impact MkII | | 2019-08-02 | EN.20.05 | 2020-07-08 |

| NO | ART. NO | DESCRIPTION | NO | ART. NO | DESCRIPTION |
|-------|---------|-----------------------------------|-------|---------|---|
| A1 | 19690 | Trigger Block Impact, black | B9 | 19748 | Grub screw M3x7, <i>until ser.no. 191084</i> |
| A1 | 19699 | Trigger Block Impact, silver | B9 | 19643 | Grub screw, Pellet probe, M4, <i>from serial no.191084</i> |
| A2 | 1501 | Cylindrical pin 2,5m6x24 | B10 | 19614 | Pellet probe holder, <i>revision 4, until serial No. 191084, (use with 19748)</i> |
| A3 | 19638 | Sidelever Imp, Crown, Str | B10 | 19614 | Pellet probe holder, <i>revision 5, from serial no. 191084, (use with 19643)</i> |
| A4 | 19026 | Cylindrical pin 2,5m6x6 | B11 | 19601 | Cylindrical pin 2h6x6 |
| A5 | 19021 | Side lever linkage | B12 | 19612 | Pellet probe guide |
| A6 | 19718 | O-ring 14x1,5 NBR 70 | B13 | 2505 | Countersunk screw m4x10 |
| A7 | 19650 | Rear Support Impact | B14 | 19642 | Guiding Plate Impact |
| A8 | 19740 | Socket head cap screw M3x22 | B15 | 2527 | Socket head cap screw M3x10 |
| A9 | 19652 | Puck 5,0 | B16 | N/A | N/A |
| A10 | 19691 | Reloading block Impact | B17 | 19779 | Cheek piece for Impact (january 2019) |
| A10.1 | 2531 | Rubberball 5,54 NBR 70 | B18 | 11506 | Socket head cap screw M3x30 |
| A11 | 19653 | Puck 9,9 | B19 | 19667 | Reloading Bar |
| A12 | 19713 | Socket head cap screw M3x6 | B20 | 19846 | Grubb screw M6x6 |
| A12.1 | 19676 | Sleeve reloading | B21 | 19698 | Rear block Impact |
| A13 | 19651 | Front Support Impact | B22 | 19674 | O-ring valve tube stop |
| A14 | 19611 | Side lever handle B2-WC-IM | B22.1 | 19061 | O-ring 6x1 NBR90 |
| A15 | 11060 | Socket head cap screw M3x18 | B23 | 19768 | O-ring 2,84x2,62 PUR 90 |
| A16 | 11599 | Rubber ball 6,35 NBR90 | B24 | 19722 | O-ring 9x1,5 NBR 70 |
| A17 | 19616 | Valvestop Impact | B25 | 19615-1 | Valvetube 20mm Impact |
| A18 | 19722 | O-ring 9x1,5 NBR 70 | B26 | 19603 | Valve nut impact |
| A19 | 19668 | Valve adjuster screw | B27 | 19217 | Valve seat Cal.30 Complete |
| A20 | 19669 | Valve adjusterknob Impact | B28 | 7064 | Valvepin complete Impact |
| A21 | 19717 | Countersunk screw m6x8 | B29 | 19677 | O-ring 10,5x2 NBR 70 |
| A22 | 11507 | Rubber/Steel Washer | B29.1 | 19718 | O-ring 14x1,5 NBR 70 |
| A23 | 19659 | Bottle adapter impact | B30 | 19605-1 | Valvehousing Impact |
| A24 | 19694 | Brass adapter Impact | B31 | 20117 | Magazine bracket Impact MkII |
| A25 | 19761 | O-ring 2,2x1 NBR 70 | B31.1 | 20116 | Locking arm Magazine bracket MkII |
| A26 | 19689 | Trigger guard Impact, black | B31.2 | 16093 | Spring 0,3x2x10 |
| A26 | 19617 | Trigger guard Impact, silver | B32 | 19224 | Grubscrew M8x8 |
| A27 | 19762 | X-ring 3,63x2,62 NBR 70 | B33 | 19713 | MC6S M3x6 |
| A28 | 19775 | Manometer 28mm with black cover | B34 | 19762 | X-ring 3,63x2,62 NBR 70 |
| A29 | 16303 | Quick connector short | B35 | 19775 | Manometer 28mm with black cover |
| A29.1 | 4528 | O-ring 7.66x1.78 NBR70 | C1 | 19604 | Hammerseat |
| A29.2 | 19910 | Dust Cover - Quick Connection | C2 | N/A | N/A |
| A30 | 19720 | O-ring 10x1 NBR 90 | C3 | 5107 | O-ring 2,9x1,78 PUR 90 |
| A31 | 5107 | O-ring 2,9x1,78 PUR 90 | C4 | 19647 | Valverod |
| A32 | 19005 | Inlet valve rod - Blue | C5 | 19622 | Impact Hammer HP - Depth 20mm |
| A33 | 19682 | Socket head cap screw M3x16 | C6 | 19623 | Spring guide Impact |
| A34 | 2504 | Countersunk screw M3x6 | C7 | 11500 | Hammer spring |
| A35 | 19610 | Safety | C8 | 19609 | Spring holder Impact |
| A36 | 19736 | Plastic Washer 5,3x3,1x1 | C9 | 19683 | Conical grub screw M3x18 |
| A37 | 19715 | Socket head cap screw M3x5 | C10 | 19602 | Hammer adjuster |
| A38 | 14500 | Socket head cap screw M5x16 | C11 | 19715 | Socket head cap screw M3x5 |
| B1 | 19618 | Recoilpad | C12 | 2504 | Countersunk screw M3x6 |
| B2 | 19728 | Adjustment Screw Recoilpad Impact | C13 | 19693 | Impact sprintholder |
| B3 | 19646 | Left plate Impact | C14 | 2508 | Countersunk screw M3x10 |
| B4 | 19645 | Right plate Impact | C15 | 19608 | Power adjuster Impact |
| B5 | 12610 | Socket head cap screw M3x8 | C16 | 11501 | Spring 0,5x2,5x6,1 |
| B6 | 19606 | Magazine holder Impact | C17 | 4066 | Steel ball 3mm |
| B7 | 5110 | Rubberball 4,75 NBR 70 | C18 | 11501 | Spring 0,5x2,5x6,1 |
| B8 | 19641 | Pellet probe Impact .177 | C19 | 4066 | Steel ball 3mm |
| B8 | 19620 | Pellet probe Impact .22 | C20 | 19710 | Houge Grip Rubber AR15 |
| B8 | 19621 | Pellet probe Impact .25 | C21 | 19743 | Socket head cap screw M6x20 |
| B8 | 19619 | Pellet probe Impact .30 | C22 | 19636 | Triggersear |
| | | | C23 | 11504 | Spring 0,32x3,2x14,4 v2.3 |

| Model | Other model names | Date | Revision | Revision date |
|----------------|-------------------|------------|----------|---------------|
| FX Impact MkII | | 2019-08-02 | EN.20.05 | 2020-07-08 |

| | | | | | |
|-----|-------|-------------------------------------|-----|---------|---------------------------------|
| C24 | 19742 | Grub screw M3x8 | C36 | 19697-1 | Regulator housing Impact/Crown |
| C25 | 11062 | Adj screw second stage, soft | C37 | 19695 | Regulator Screw Impact |
| C26 | 2500 | Grub screw M3x6 | C38 | 19731 | O-ring 2x1 NBR 90 |
| C27 | 19613 | Triggermount Impact | C39 | 19790 | O-ring 10x1,5 NBR90 |
| C28 | 11525 | Triggerroll | C40 | 19040 | Cylindrical pin 2m6x23,5 |
| C29 | 2504 | Countersunk M3x6 | C41 | 19225 | O-ring 7,5x2 NBR70 |
| C30 | 2500 | Grub screw M3x6 | C42 | 19735 | Spring 0,75x5x175 |
| C31 | 19637 | Triggerbase Impact | | | |
| C32 | 19136 | Adjustable triggerblade | D1 | 19644 | Rail Picatinny x3 Impact Black |
| C33 | 19109 | O-ring 4x1,5 NBR 70 | D1 | 19639 | Picatinny Rail x3 Impact Silver |
| C34 | 19696 | Regulator piston (long) (May 2017>) | D2 | 19684 | Socket head cap screw M5x8 |
| C35 | 19109 | O-ring 4x1,5 NBR 70 | D3 | 2554 | Socket head cap screw M3x25 |