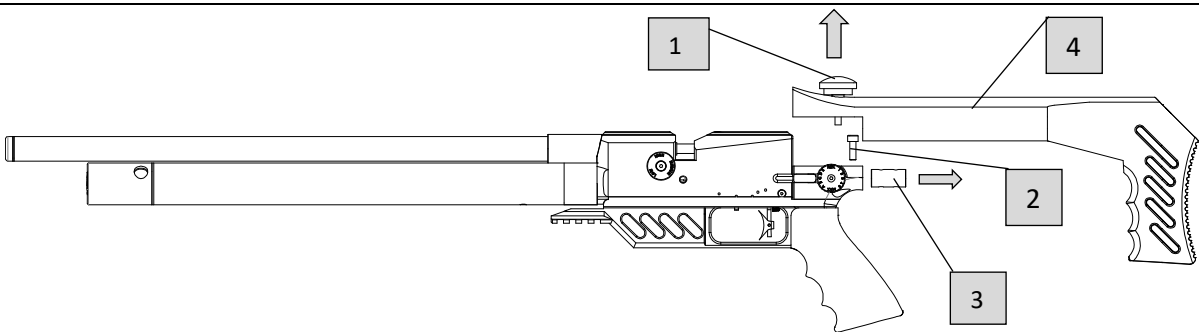


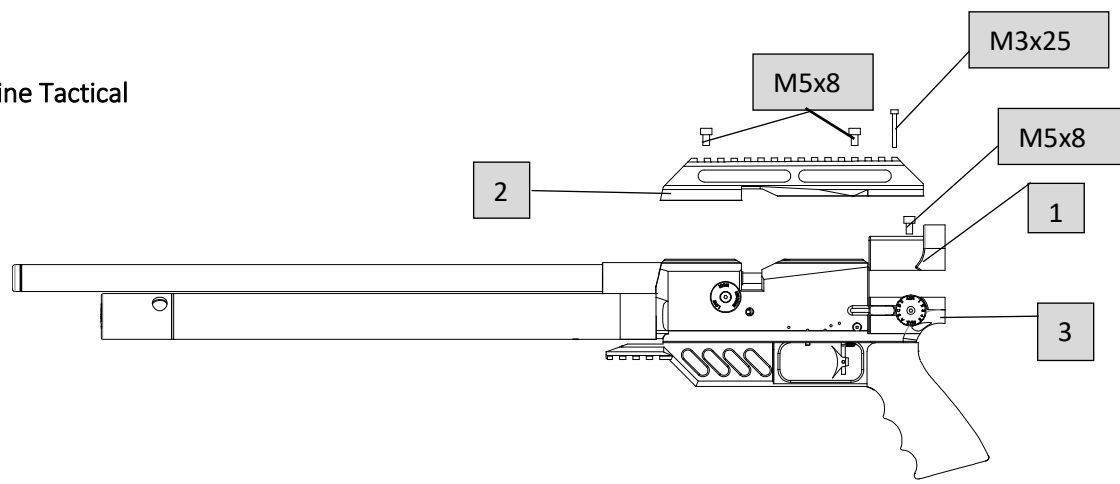
Conversion Kit, Dreamline Lite to Dreamline Tactical



Dreamline Lite

- 1 - Loosen the Locking Wheel (1) and lift off the Stock (4)
- 2 - Loosen piston screw (2) and pull out the Piston (3)

Dreamline Tactical



- 1 - Place the Stock Adapter (1) on the house hammer adjuster (3) and secure with the screws M5x8
- 2 - Place Rail (2) on the main block and secure with the screws M5x8. Secure also with the screws M3x25 to the Stock Adapter (1)