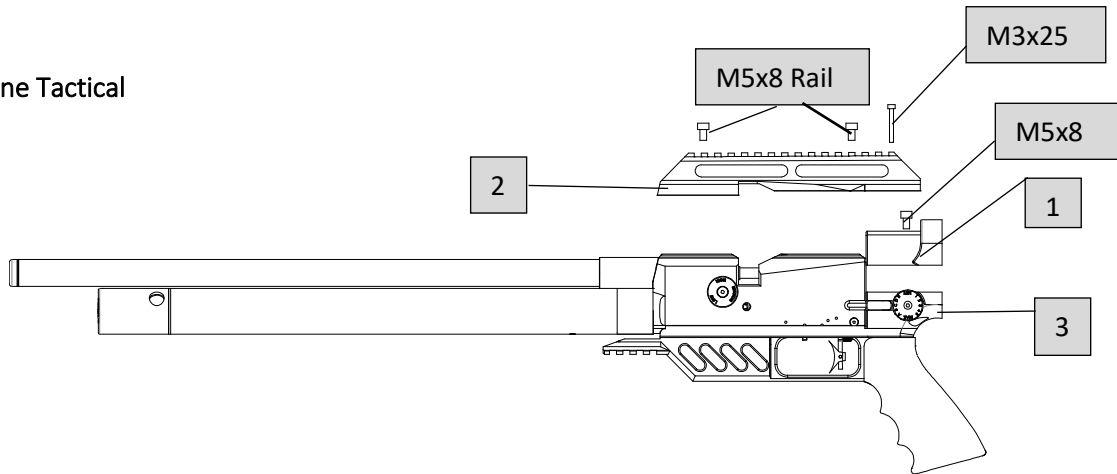
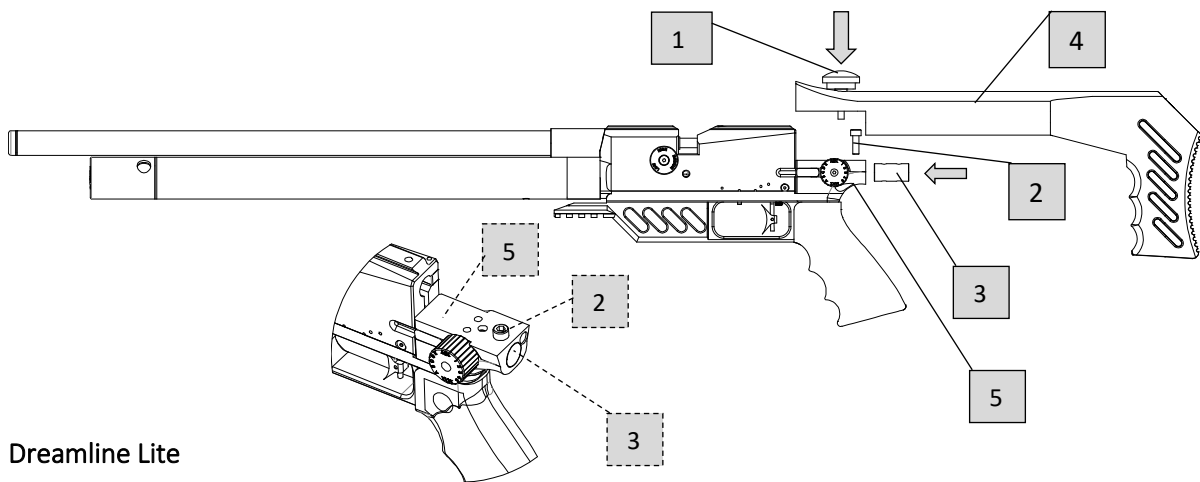


Conversion Kit, Dreamline Tactical to Dreamline Lite

Dreamline Tactical



- 1 - Loosen screws M5x8 Rail and M3x25 and lift of the Rail (2)
- 2 - Loosen screws M5x8 and lift off the Stock adapter (1)



Dreamline Lite

- 1 - Push the Piston (3) into the House hammer adjuster (5) and secure with the special screw (2)
- 2 - Push the Stock (4) in place, *on the house hammer adjuster (5)*, and tighten with the Locking Wheel (1)