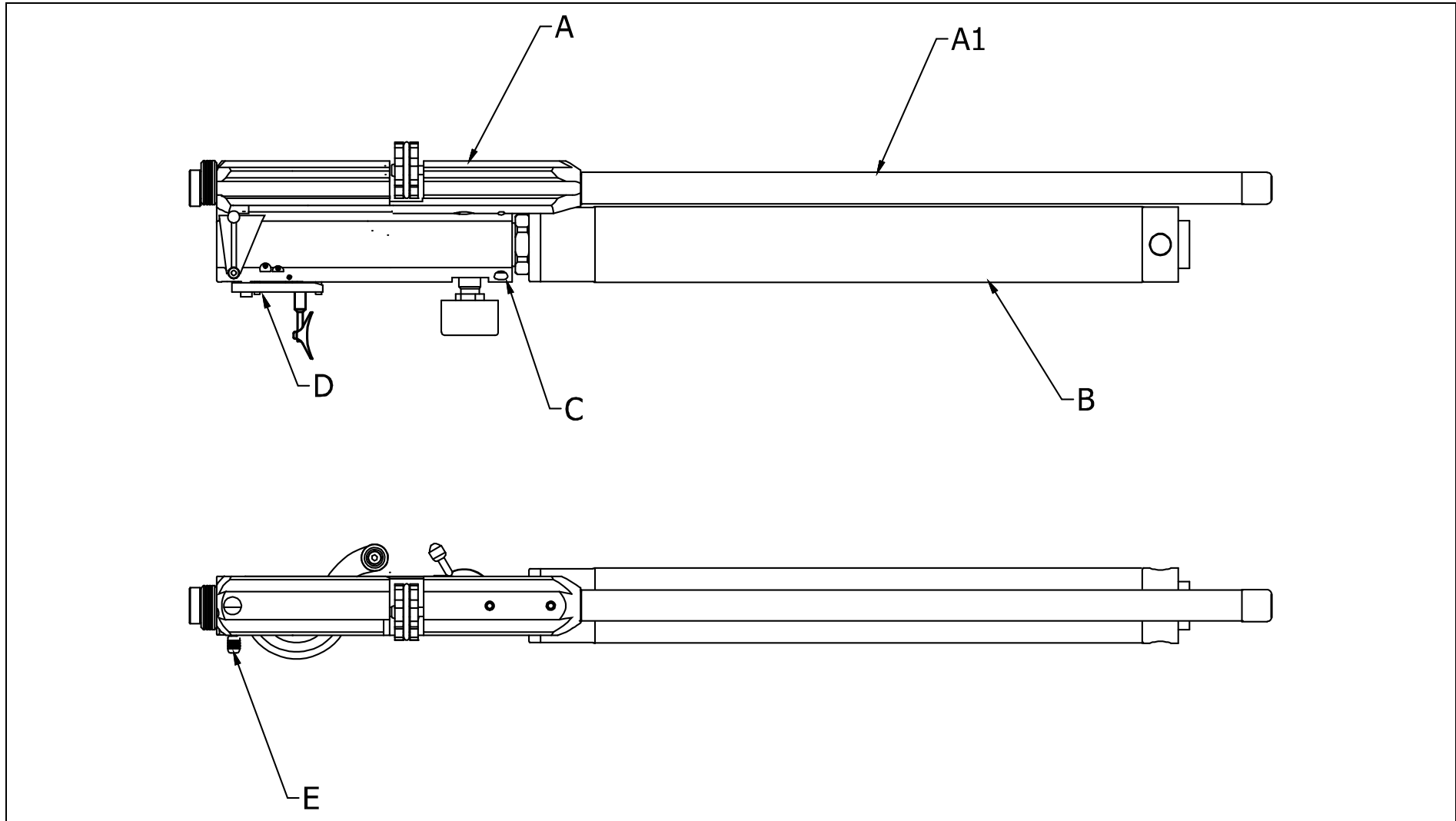
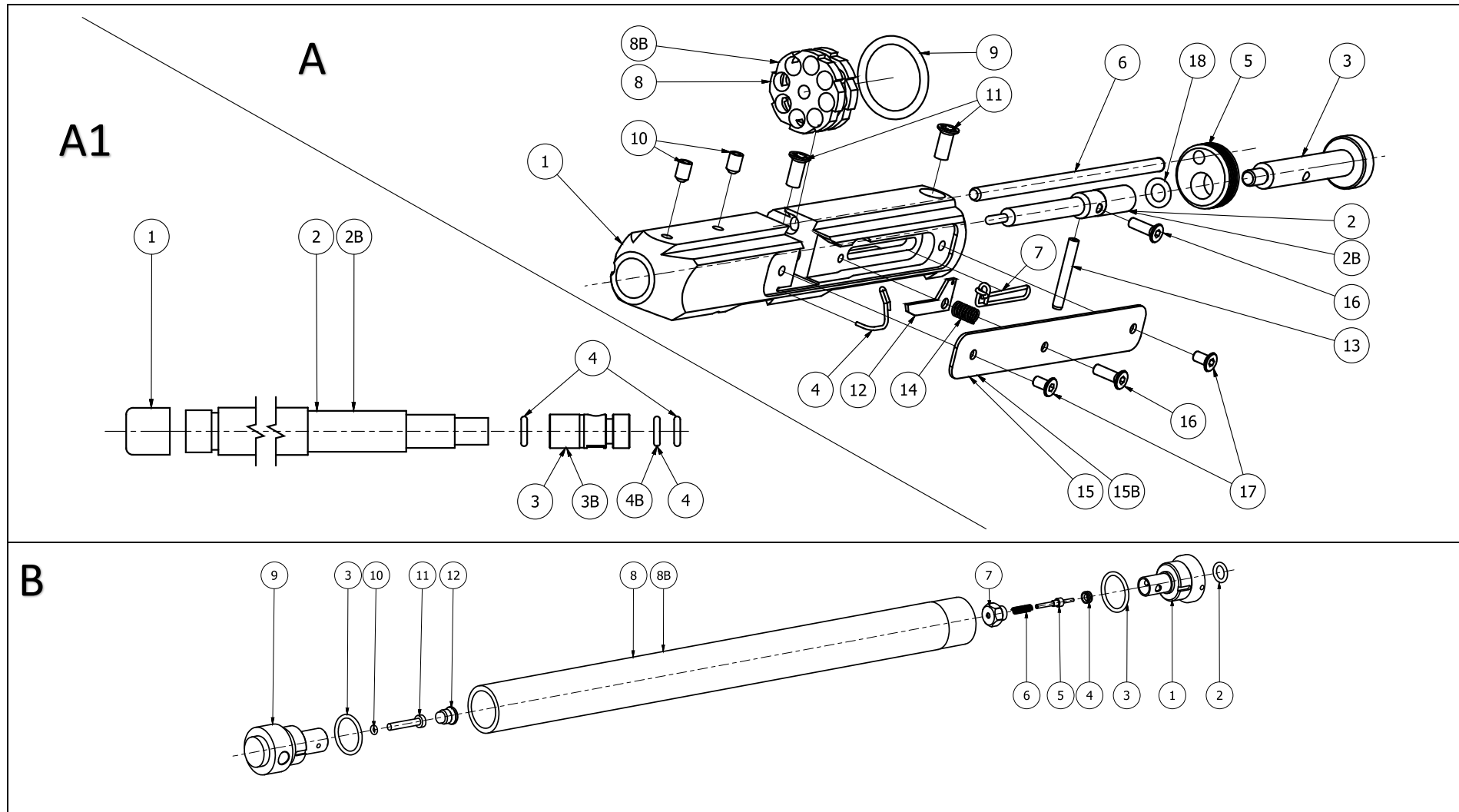


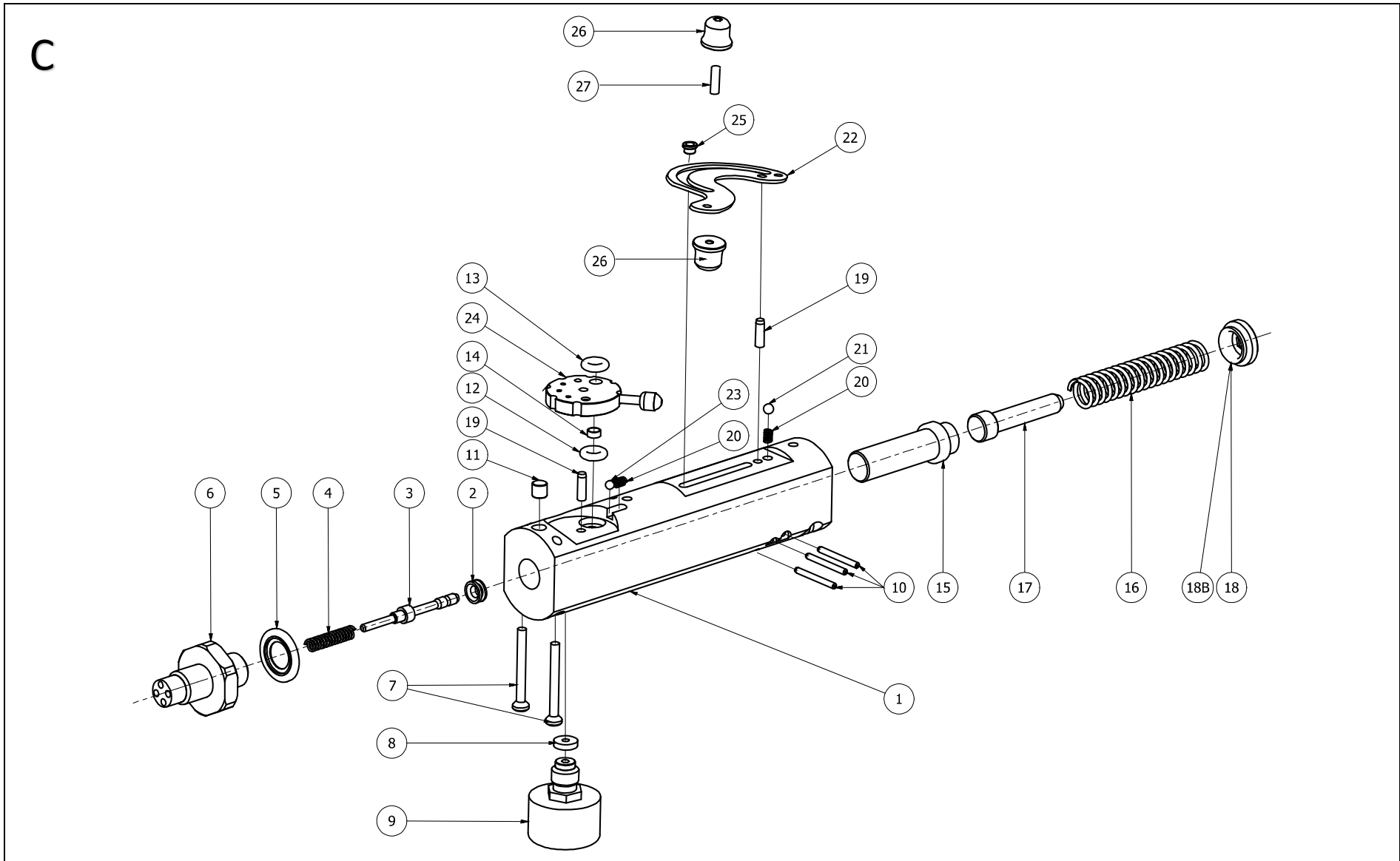
| Model | Other model names | Date | Revision | Revision date |
|----------|-------------------|------------|----------|---------------|
| Ranchero | | 2020-08-14 | EN.- | - |



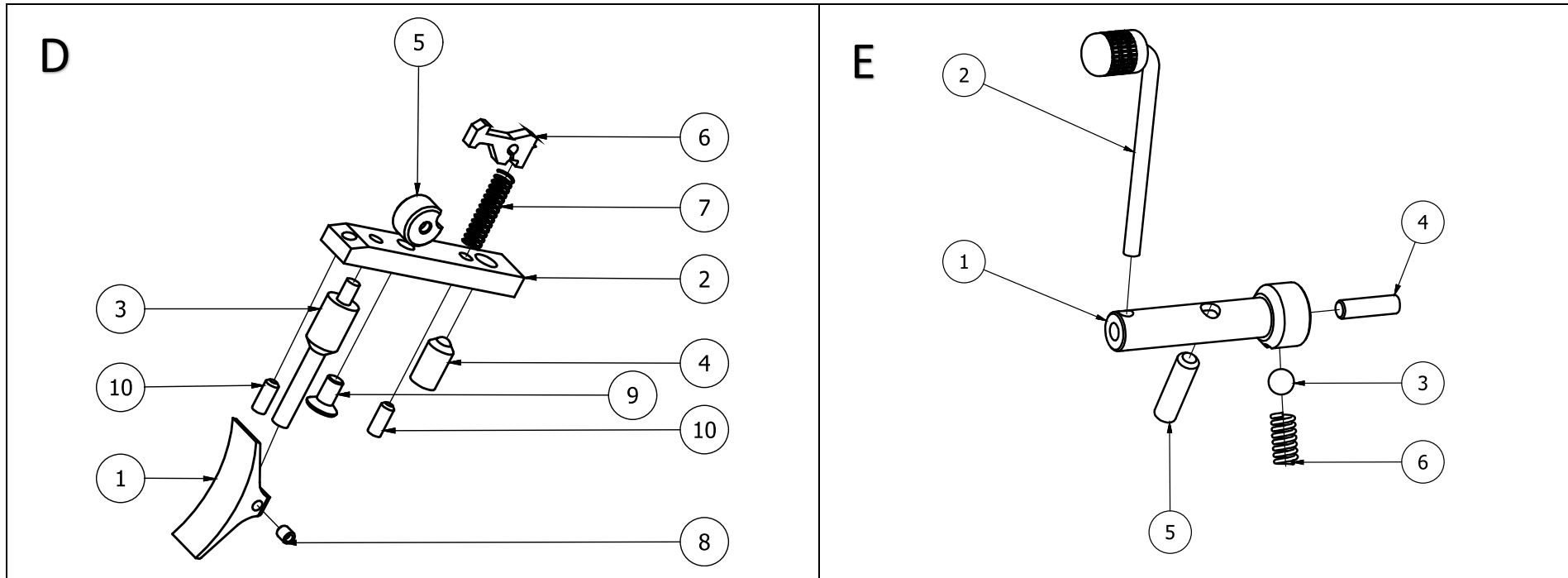
| Model | Other model names | Date | Revision | Revision date |
|----------|-------------------|------------|----------|---------------|
| Ranchero | | 2020-08-14 | EN.- | - |



| Model | Other model names | Date | Revision | Revision date |
|----------|-------------------|------------|----------|---------------|
| Ranchero | | 2020-08-14 | EN.- | - |



| Model | Other model names | Date | Revision | Revision date |
|----------|-------------------|------------|----------|---------------|
| Ranchero | | 2020-08-14 | EN.- | - |



| Model | Other model names | Date | Revision | Revision date |
|----------|-------------------|------------|----------|---------------|
| Ranchero | | 2020-08-14 | EN.- | - |

| NO | ART. NO | DESCRIPTION | NO | ART. NO | DESCRIPTION | NO | ART. NO | DESCRIPTION |
|-------|-----------|--------------------------------|------|---------|----------------------------------|----|---------|--|
| A1 | 11045 | Barrelhousing V2 | C1 | 11044 | Main Body | E1 | 11027 | Safety Pivot |
| A2 | 11048 | Pellet Probe .177 | C2 | 7044 | Valve Seat Complete | E2 | 11625 | Safety lever 27,5mm Cyclone, Cutlas, Ranchero. |
| A2B | 11025 | Pellet Probe .22 | C3 | 7035 | Valve pin V2 complete | E3 | 11527 | Steel Ball 3.175 |
| A3 | 11012 | Thumb Return Screw | C4 | 11627 | Spring 0,6x4x20 HV | E4 | 11633 | Grub Screw M2,5x8 |
| A4 | 2029 | Magazine Stop | C5 | 11507 | Rubber/Steel washer M12 | E5 | 11508 | Grub Screw M3x10 |
| A5 | 11004 | Magazine Release Grip | C6 | 11032 | Air Cylinder Connector | E6 | 11501 | Spring 0,5x2,5x6,1 Sä-Sp |
| A6 | 11022 | Magazine Pin | C7 | 11506 | Socket head cap screw M3x30 | | | |
| A7 | 11516 | Index Lever Connector | C8 | 5005 | Plastic Washer 2mm 1/8" | | | |
| A8 | 11051 | Magazine .177 | C9 | 11505 | Preassure Gauge 25mm 1/8" | | | |
| A8B | 11050 | Magazine .22 | C10 | 11502 | Cylindrical Pin 2h6x20 | | | |
| A9 | 5101 | O-ring 20 x 2,5 NBR 70 | C11 | 11626 | Spacer 4,8 | | | |
| A10 | 2501 | Cup point grub screw M4x6 | C12 | 1504 | O-ring 4,42 x 2,62 NBR 70 | | | |
| A11 | 11511 | Countersunk Screw M4x8 Torx | C13 | 11623 | O-ring 4,42 x 2,62 NBR 90 | | | |
| A12 | 11041 | Index Lever | C14 | 11536 | Air Transfer Port - High Flow | | | |
| A13 | 11514 | Cylindrical Pin 3m6x22 | C15 | 11023 | Hammer | | | |
| A14 | 2520 | Spring 0,5x4x7 | C16 | 11500 | Hammer Spring | | | |
| A15 | 11533-4.5 | Plate FX Cyclone | C17 | 11540 | Hammer Weight | | | |
| A15B | 11533-5.5 | Plate FX Cyclone | C18 | 11030 | Hammer spring Adjuster M16x1x2,5 | | | |
| A16 | 2508 | Countersunk screw M3x10 | C18B | 11541 | Hammer spring adjuster | | | |
| A17 | 2504 | Countersunk screw M3x6 | C19 | 11509 | Cylindrical Pin 3h6x10 | | | |
| A18 | 5108 | O-ring 5,28 x 1,78 PUR 70 | C20 | 11503 | Spring 0,5x2,5x4,4 | | | |
| A1-1 | 11038 | Muzzle thread cover 14mm | C21 | 11547 | Steel Ball 3.5 | | | |
| A1-2 | 13028 | Barrel 4,50-14-245 | C22 | 11033 | Sidelever | | | |
| A1-2B | 13029 | Barrel 5,50-14-245 | C23 | 4066 | Steel Ball 3.0 | | | |
| A1-3 | 2057 | Barrel brass inlet .177 | C24 | 11020 | Power adjuster blank | | | |
| A1-3 | 2056 | Barrel Inlet .22 | C25 | 12028 | Sidelever Bearing | | | |
| A1-4 | 5112 | O-ring 5,28 x 1,78 NBR 70 | C26 | 11063 | Cocking Bolt | | | |
| A1-4B | 2529 | O-ring 4,3 x 1,5 NBR 70 (.177) | C27 | 11508 | Grub screw M3x10 | | | |
| B1 | 11035 | Air Cylinder End (Brass) | D1 | 19136 | Adjustable Trigger Blade | | | |
| B2 | 5105 | O-ring 9,3 x 2,4 NBR90 | D2 | 11524 | Trigger Base | | | |
| B3 | 11624 | O-ring 22 x 2,5 NBR 70 | D3 | 19150 | Trigger Shoe Mount Short | | | |
| B4 | 7044 | Valve Seat Complete | D4 | 11015 | Second stage trigger screw M5 | | | |
| B5 | 7018 | Valve Pin Air Tube Complete | D5 | 11525 | Trigger Wheel | | | |
| B6 | 2525 | Spring 0,6x4x15 | D6 | 11031 | Trigger Sear | | | |
| B7 | 11013 | Valve Pin Nut | D7 | 11504 | Spring 0,32 x 3,2 x 14,4 | | | |
| B8 | 12053 | Air cylinder 140mm | D8 | 12035 | Grub Screw M2,5 x 2,5 | | | |
| B9 | 11029 | Air Cylinder End Inlet | D9 | 2504 | Countersunk Screw M3x6 | | | |
| B10 | 5107 | O-ring 2,9 x 1,78 PUR 90 | D10 | 2500 | Grub Screw M3x6 | | | |
| B11 | 11615 | High Performance Inlet Valve | | | | | | |
| B12 | 19035 | Plug 1/8" | | | | | | |