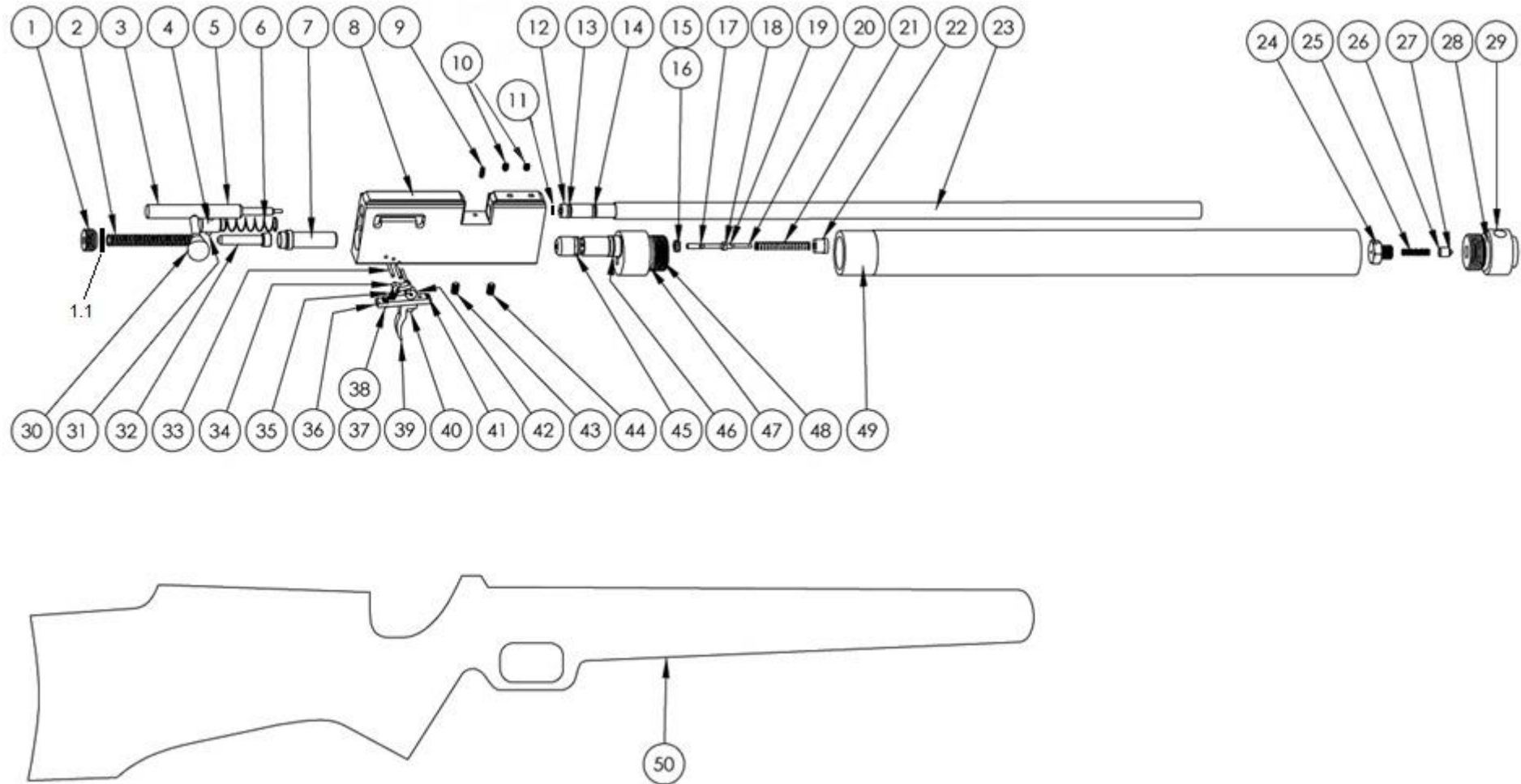


Model	Other model names	Date	Revision	Revision date
FX Typhoon and T12	Typhoon – Logun Solo, Tornado (JPN); F12- Tornado 5 (JPN)	2018-06-25	EN.20.02	2020-08-17



Model	Other model names	Date	Revision	Revision date
FX Typhoon and T12	Typhoon – Logun Solo, Tornado (JPN); F12- Tornado 5 (JPN)	2018-06-25	EN.20.02	2020-08-17

### Partslist FX Typhoon

NO	ART. NR	DESCRIPTION	NO	ART. NO	DESCRIPTION
1 Lo	11030 < 16 Joule	Hammer spring Adjuster M16x1x2,5	23 - .177	12030	Barrel 4,5-14-485
1.1 Lo	16026 < 16 Joule	Washer 6,7x14	23 - .22	12006	Barrel 5-14-485
1 Hi	11541 > 16 Joule	Hammer spring adjuster	23 - .25	19106	Barrel 6,35-14-600
2	16024	Hammer spring v3,v4	24	11017	Air tube end Inlet Nut
3	16007	Bolt attachment	25	2524	Spring 0,4x3x20
4	16005	Probe and hammer aligner	26	12011	Inlet valve
5 - .177 Lo	16006-1 < 16 Joule	Pellet probe .177 Steel	27	5111	O-ring 2,5 x 1,5 NBR90
5 - .177 Hi	16006 > 16 Joule	Pellet probe .177 Brass	28	11624	O-ring 22 x 2,5 NBR70
5 - .22	16008	Pellet probe .22 Steel	29	11029	Air cylinder end inlet
5 - .22	16008-1	Pellet probe .22 Brass	30	16004	Cocking Bolt v3.v4
6	16025	Spring Return	31	16003	Pin 4mm v3
7	11023	Hammer	32 Lo	16026 < 16 Joule	Washer 6,7x14
8 - .177	16033	Barrel housing Tornado .177	32 Hi	11540 > 16 Joule	Hammer weight
8 - .22	16011	Barrel housing Tornado .22	33	16023	Cylindrical pin 2h6x16
8 - .25	16010-4,5	Barrelhousing Typhoon .177	34	11031	Trigger Sear
8 - .22	16010-5,5	Barrelhousing Typhoon .22	35	11504	Spring 0,32x3,2x14,4
9		Screw M3x20	36	11524	Trigger base
10	2637	Grub screw M4x6 flat	37	11015	Second stage trigger screw M5
11 - .177	2529	O-ring 4,3 x 1,5 NBR 70	38	2500	Grub screw M3x6
11 - .22	5108	O-ring 5,28 x 1,78 PUR 70	39	2020	Trigger blade
11 - .25	4526	O-ring 6,4x1,3 NBR 70	40	2527	Socket head cap screw M3x10
12 - .177	2057	Barrel Brass Inlet .177	41	2500	Grub screw M3x6
12 - .22	2056	Barrel Brass Inlet .22	42	11525	Trigger wheel
12 - .25 >16J	19104	Barrel inlet .25	43	11523	Countersunk screw M5x30 (synthetic stock)
12 - .25 16J >	19118	Barrel inlet .25 HP	43	2526	Socket head cap screw M5x25 (for No synthetic stock)
13	5112	O-ring 5,28 x 1,78 NBR70	43	16044	Stock spacer (for No synthetic stock) <i>use with 2526</i>
14	5112	O-ring 5,28 x 1,78 NBR70	44	2503	Cup point grub screw M5x8
15	2529	O-ring 4,3 x 1,5 NBR70	45	5104	O-ring 9,3 x 2,4
16	7044	Valve seat Complete	46	16028	O-ring 12x1 NBR 70
17	2528	O-ring 1,5 x 1,0 NBR70	47	11624	O-ring 22 x 2,5 NBR 70
18	2040	Plastic Washer	48	16009	Main Valve Tube End
19	2041	Holder Valve Seal	49	16017	390mm Air cylinder
20	7034	Valve pin complete V1,3,6	50	16014	Stock T12/Typhoon synthetic complete
21	16030	Valve Spring	50	0307	Stock Walnut v3
22	16002	Valve spring lid V3			

Model	Other model names	Date	Revision	Revision date
FX Typhoon and T12	Typhoon – Logun Solo, Tornado (JPN); F12- Tornado 5 (JPN)	2018-06-25	EN.20.02	2020-08-17

### Partslist FX T12

NO	ART. NO	DESCRIPTION	NO	ART. NO	DESCRIPTION
1 Lo	11030 < 16 Joule	Hammer spring Adjuster M16x1x2,5	24	11017	Air tube end Inlet Nut
1.1 Lo	16026 < 16 Joule	Washer 6,7x14	25	2524	Spring 0,4x3x20
1 Hi	11541 > 16 Joule	Hammer spring adjuster	26	12011	Inlet Valve
2	16024	Hammer spring v3,v4	27	5111	O-ring 2,5 x 1,5 NBR90
3	16007	Bolt attachment	28	11624	O-ring 22 x 2,5 NBR70
4	16005	Probe and hammer aligner	29	11029	Air cylinder end inlet
5 - .177 Lo	16006-1 < 16 Joule	Pellet probe .177 Steel	30	16004	Cocking Bolt v3.v4
5 - .177 Hi	16006 > 16 Joule	Pellet probe .177 Brass	31	16003	Pin 4mm v3
5 - .22	16008	Pellet probe .22 Steel	32 Lo	16026 < 16 Joule	Washer 6,7x14
5 – .22	16008-1	Pellet probe .22 Brass	32 Hi	11540 > 16 Joule	Hammer weight
6	16025	Spring Return	33	16023	Cylindrical pin 2h6x16
7	11023	Hammer	34	11031	Trigger Sear
8 - .177	16015-4,5	Barrelhousing T12, .177	35	11504	Spring 0,32x3,2x14,4
8 - .22	16015-5,5	Barrelhousing T12, .22	36	11524	Trigger base
9		Screw M3x20	37	11015	Second stage trigger screw M5
10	2637	Grub screw M4x6 flat	38	2500	Grub screw M3x6
11 – .177	2529	O-ring 4,3 x 1,5 NBR 70	39	2020	Trigger blade
11 - .22	5108	O-ring 5,28 x 1,78 PUR 70	40	2527	Socket head cap screw M3x10
11 - .25	4526	O-ring 6,4x1,3 NBR 70	41	2500	Grub screw M3x6
12 - .177	2057	Barrel Brass Inlet .177	42	11525	Trigger wheel
12 - .22	2056	Barrel Brass Inlet .22	43	11523	Countersunk screw M5x30 (synthetic stock)
12 - .25 >16J	19104	Barrel inlet .25	43	2526	Socket head cap screw M5x25 (for No synthetic stock)
12 - .25 16J >	19118	Barrel inlet .25 HP	43	16044	Stock spacer (for No synthetic stock) <i>use with 2526</i>
13	5112	O-ring 5,28 x 1,78 NBR70	44	2503	Cup point grub screw M5x8
14	5112	O-ring 5,28 x 1,78 NBR70	45	5104	O-ring 9,3 x 2,4
15	2529	O-ring 4,3 x 1,5 NBR70	46	16028	O-ring 12x1 NBR 70
16	7044	Valve seat Complete	47	11624	O-ring 22 x 2,5 NBR 70
17	2528	O-ring 1,5 x 1,0 NBR70	48	16009	Main Valve Tube End
18	2040	Plastic Washer	49	16017	390mm Air cylinder
19	2041	Holder Valve Seal	50	16014	Stock T12/Typhoon synthetic complete
20	7034	Valve pin complete V1,3,6	50	0307	Stock Walnut v3
21	16030	Valve Spring			
22	16002	Valve spring lid V3			
23 - .177	12030	Barrel 4,5-14-485			
23 - .22	12006	Barrel 5-14-485			
23 - .25	19106	Barrel 6,35-14-600			