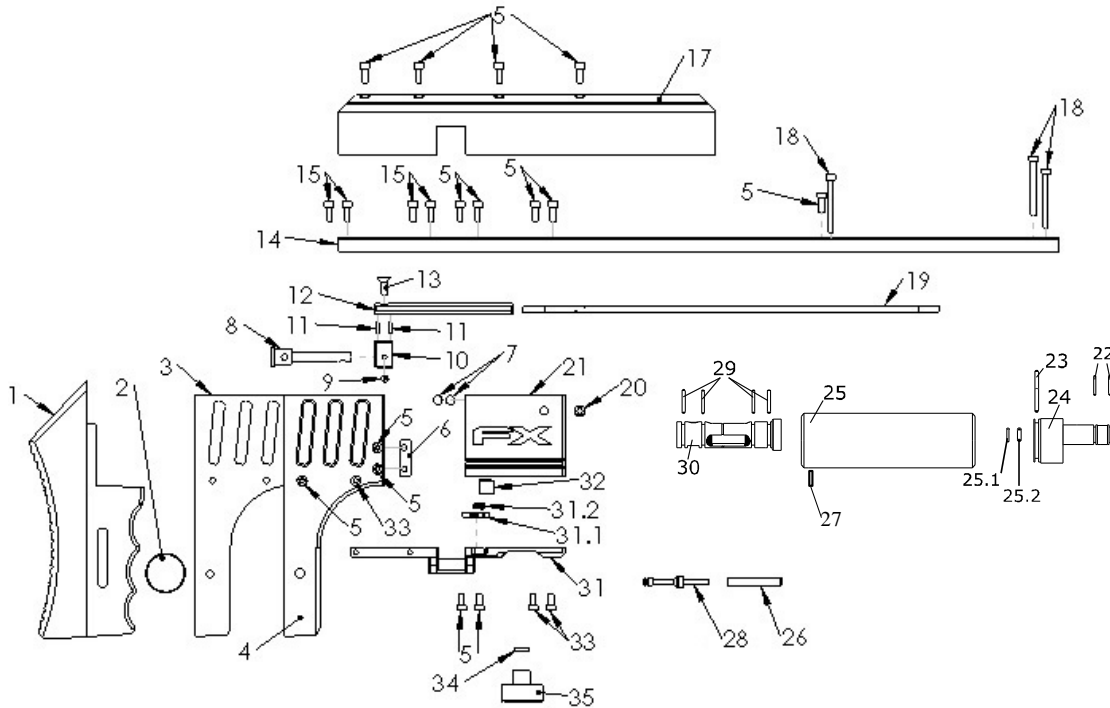
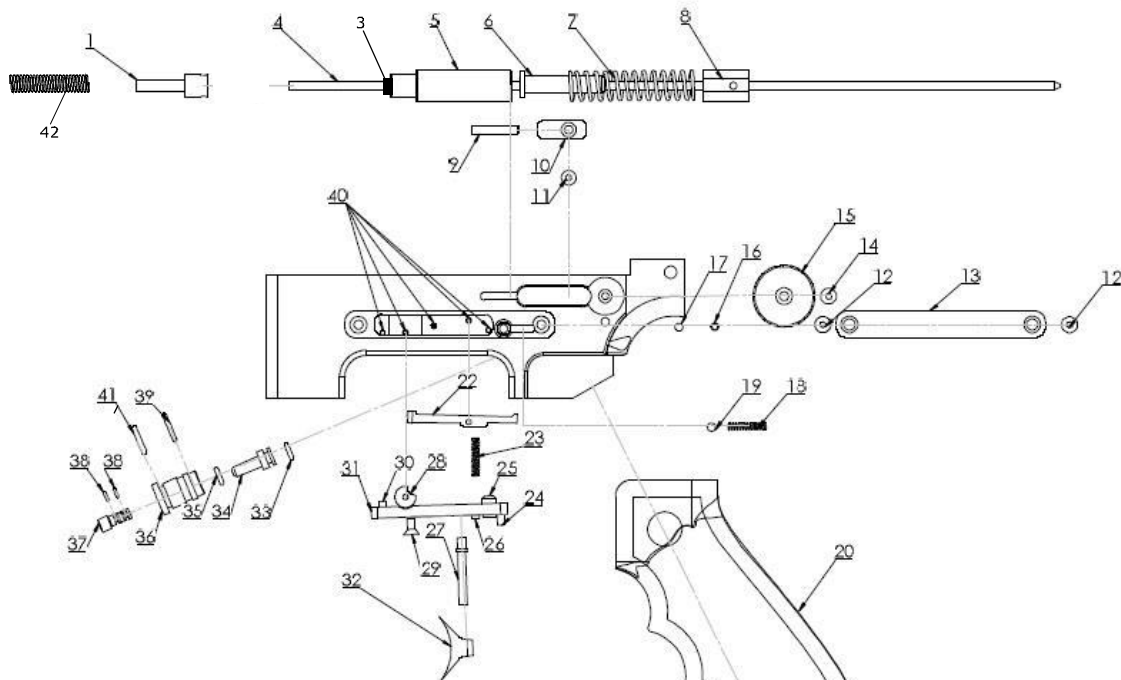


Model	Other model names	Date	Revision	Revision date
FX Impact MkII, Power Plenum		2019-12-09	EN.20.05	2020-08-19

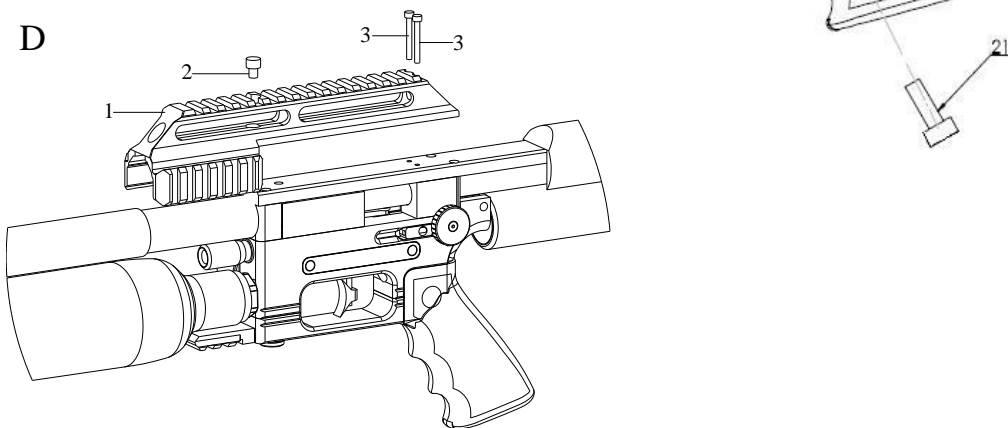
B



C



D



Model	Other model names	Date	Revision	Revision date
FX Impact MkII, Power Plenum		2019-12-09	EN.20.05	2020-08-19

NO	ART. NO	DESCRIPTION	NO	ART. NO	DESCRIPTION
A1	19690	Trigger Block Impact, black	B9	19748	Grub screw M3x7, <i>until ser.no. 191084</i>
A1	19699	Trigger Block Impact, silver	B9	19643	Grub screw, Feeding pin, M4, <i>from serial no.191084</i>
A1	20290	Trigger block Impact Bronze	B10	19614	Pellet probe holder, <i>revision 4, until serial No. 191084, (use with 19748)</i>
A2	1501	Cylindrical pin 2,5m6x24	B10	19614	Pellet probe holder, <i>revision 5, from serial no. 191084, (use with 19643)</i>
A3	19638	Sidelever Imp, Crown, Str	B11	19601	Cylindrical pin 2h6x6
A4	19026	Cylindrical pin 2,5m6x6	B12	19612	Pellet probe guide
A5	19021	Side lever linkage	B13	2505	Countersunk screw m4x10
A6	19718	O-ring 14x1,5 NBR 70	B14	19642	Guiding Plate Impact
A7	19650	Rear Support Impact	B15	2527	Socket head cap screw M3x10
A8	19740	Socket head cap screw M3x22	B16	N/A	N/A
A9	19652	Puck 5,0	B17	19779	Cheek piece for Impact (january 2019)
A10	19691	Reloading block Impact	B18	11506	Socket head cap screw M3x30
A10.1	2531	Rubberball 5,54 NBR 70	B19	19667	Reloading Bar
A11	19653	Puck 9,9	B20	19846	Grubb screw M6x6
A12	19713	Socket head cap screw M3x6	B21	19698	Rear block Impact
A12.1	19676	Sleeve reloading	B22	19763	O-ring 9x1,5 NBR90
A13	19651	Front Support Impact	B23	5113	O-ring 20,24x2,62 NBR70
A14	19611	Side lever handle B2-WC-IM	B24	19788	Valvetube End, Impact, Power Plenum
A15	11060	Socket head cap screw M3x18	B25	19787	Valvetube Impact, Power Plenum
A16 (.35)	5110	Rubberball 4,75 NBR70	B25.1	19726	O-ring 5.5x1.5 NBR70
A17	19616	Valvestop Impact	B25.2	19768	O-ring 2.84x2.62 PUR90
A18	19722	O-ring 9x1,5 NBR 70	B26	19603	Valve nut impact
A19	20277	Valvestop Impact, Power Plenum	B27	19742	Grub screw M3x8
A20	19669	Valve adjusterknob Impact	B28	20275	Valvepin complete Impact, Power Plenum
A21	19717	Countersunk screw m6x8	B29	19677	O-ring 10,5x2 NBR 70
A22	11507	Rubber/Steel Washer	B30	19786	Valvehouse, Impact, Power Plenum
A23	19659	Bottle connector Impact	B31	20117	Magazine bracket Impact MkII
A24	19694	Brass adapter Impact	B31.1	20116	Locking arm Magazine bracket MkII
A25	19761	O-ring 2,2x1 NBR 70	B31.2	16093	Spring 0,3x2x10
A26	19689	Trigger guard Impact, black	B32	19224	Cup point grub screw M8x8
A26	19617	Trigger guard Impact, silver	B33	19713	MC6S M3x6
A27	19762	X-ring 3,63x2,62 NBR 70	B34	19762	X-ring 3,63x2,62 NBR 70
A28	19775	Manometer 28mm with black cover	B35	19775	Manometer 28mm with black cover
A29	16303	Quick connector short	C1	19604	Hammerseat
A29.1	4528	O-ring 7.66x1.78 NBR70	C1	20392-C	Hammerseat Impact .35 cpl
A29.2	19910	Dust Cover - Quick Connection	C2	N/A	N/A
A30	19720	O-ring 10x1 NBR 90	C3	20272	Hammer Sleeve, Impact, Power Plenum
A31	5107	O-ring 2,9x1,78 PUR 90	C4	19647	Valverod
A32	19005	Inlet valve rod - Blue	C5	20270	Hammer V2 Power Plenum
A33	19682	Socket head cap screw M3x16	C6	20271	Hammer weight Power Plenum
A34	2504	Countersunk screw M3x6	C7	2604	Hammerspring 52mm
A35	19610	Safety	C8	19609	Spring holder Impact
A36	19736	Plastic Washer 5,3x3,1x1	C9	19683	Conical grub screw M3x18
A37	19715	Socket head cap screw M3x5	C10	19602	Hammer adjuster
A38	14500	Socket head cap screw M5x16	C11	19715	Socket head cap screw M3x5
B1	19618	Recoilpad	C12	2504	Countersunk screw M3x6
B2	19728	Adjustment Screw Recoilpad Impact	C13	19693	Impact sprintholder
B3	19646	Left plate Impact	C14	2508	Countersunk screw M3x10
B4	19645	Right plate Impact	C15	19608	Power adjuster Impact
B5	12610	Socket head cap screw M3x8	C16	11501	Spring 0,5x2,5x6,1
B6	19606	Magazine holder Impact	C17	4066	Steel ball 3mm
B7	5110	Rubberball 4,75 NBR 70	C18	11501	Spring 0,5x2,5x6,1
B8	19641	Pellet probe Impact .177	C19	4066	Steel ball 3mm
B8	19620	Pellet probe Impact .22	C20	19710	Houge Grip Rubber AR15
B8	19621	Pellet probe Impact .25	C21	19743	Socket head cap screw M6x20
B8	19619	Pellet probe Impact .30	C22	19636	Triggersear
B8	19798	Pellet probe Impact .35	C23	11504	Spring 0,32x3,2x14,4 v2.3

Model	Other model names	Date	Revision	Revision date
FX Impact MkII, Power Plenum		2019-12-09	EN.20.05	2020-08-19

C24	19742	Grub screw M3x8	C36	19697-1	Regulator house
C25	11062	Adj screw second stage, soft	C37	19695	Regulator Screw Impact
C26	2500	Grub screw M3x6	C38	19731	O-ring 2x1 NBR 90
C27	19613	Triggermount Impact	C39	19790	O-ring 10x1,5 NBR90
C28	11525	Triggerroll	C40	19040	Cylindrical pin 2m6x23,5
C29	2504	Countersunk M3x6	C41	19225	O-ring 7,5x2 NBR70
C30	2500	Grub screw M3x6	C42	2602	Spring 1x6,2x45
C31	19637	Triggerbase Impact	C42	2600 (.35)	Spring CS 0,6x5,8x45
C32	19136	Adjustable triggerblade	D1	19644	Rail Picatinny x3 Impact Black
C33	19109	O-ring 4x1,5 NBR 70	D1	19639	Picatinny Rail x3 Impact Silver
C34	19696	Regulator piston (long) (May 2017>)	D2	19684	Socket head cap screw M5x8
C35	19109	O-ring 4x1,5 NBR 70	D3	2554	Socket head cap screw M3x25