

DREAMLINE CONVERSION KIT

CONTENTS

WARNING 1

HOW TO DRAIN THE RIFLE FROM AIR PRESSURE 2

 Dreamline with Airtube 2

 Dreamline with AirBottle Adapter and Air Bottle 2

 Dreamline with AirBottle Adapter and Compact Tube 2

SAFETY LEVER REPLACEMENT 3

TRIGGER REPLACEMENT..... 4

 Trigger standard 4

 Trigger Bullpup 4

ADJUSTMENTS TRIGGERSYSTEM..... 5

 Standard triggersystem 5

 Bullpup triggersystem 5

REPLACE THE AIR TUBE with AIR BOTTLE..... 6

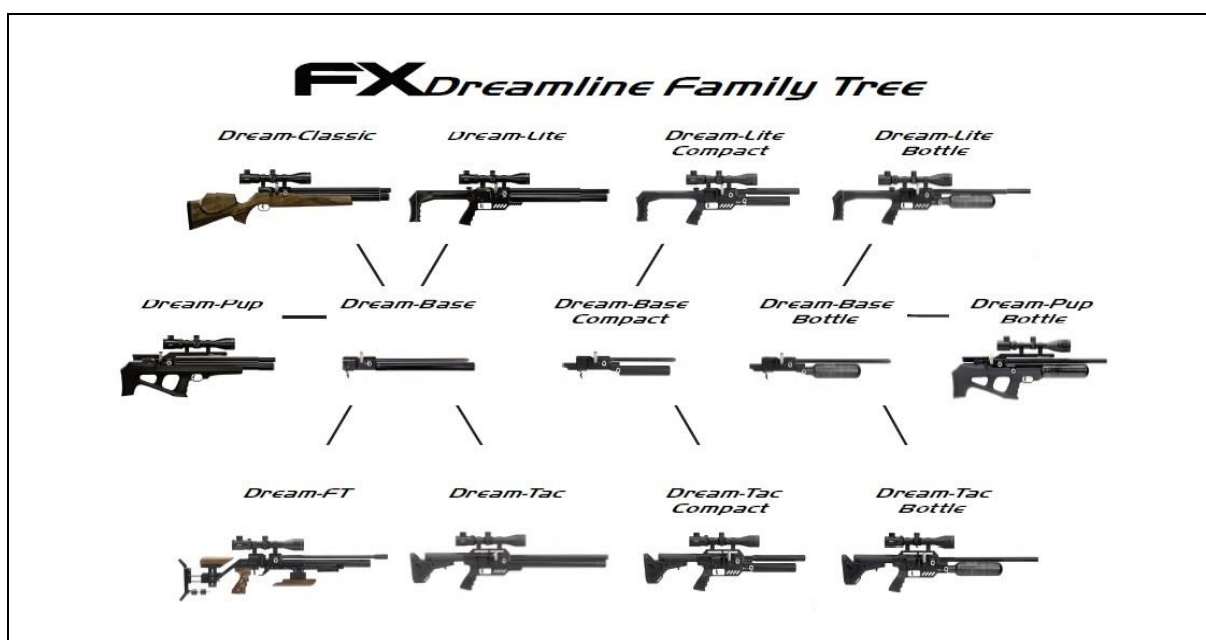
CONVERSION DREAMLINE BASIC to DREAMLINE BASIC COMPACT 7

CONVERSION DREAMLINE BASIC to DREAMLINE CLASSIC..... 8

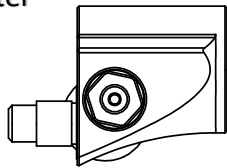
CONVERSION DREAMLINE BASIC to DREAMLINE LITE 9

CONVERSION DREAMLINE BASIC to DREAMLINE TACTICAL 10

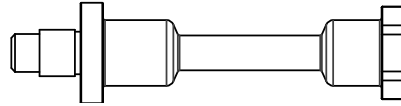
CONVERSION DREAMLINE BASIC to DREAMLINE BULLPUP 11



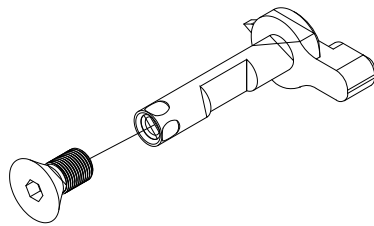
Bottle Adapter



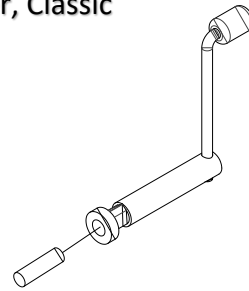
Bottle Adapter long, Bullpup



Safety Lever, standard



Safety Lever, Classic



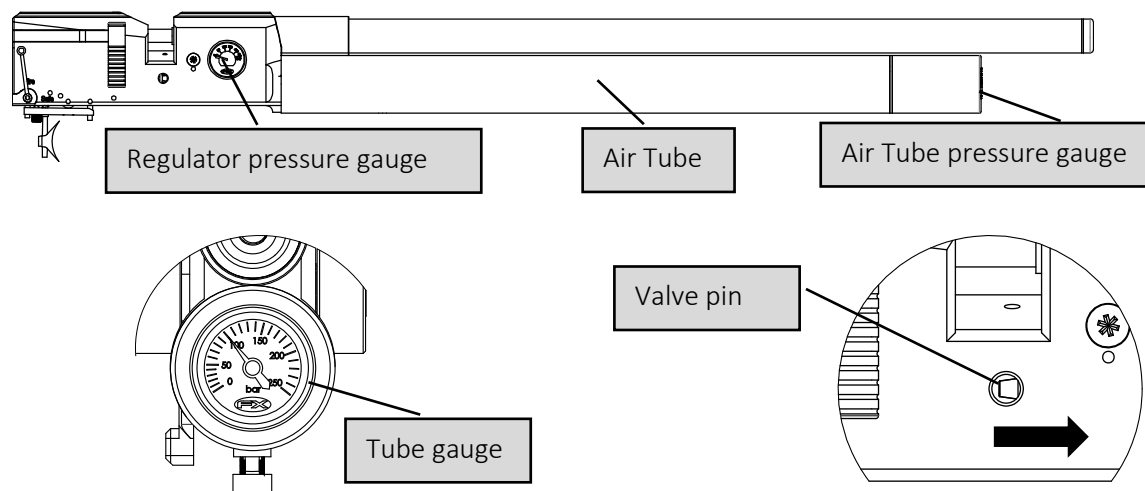
WARNING



**Drain the air from the air-tube/air-bottle and make sure the rifle is drained of air!
Both of pressure gauges must read zero air pressure!**

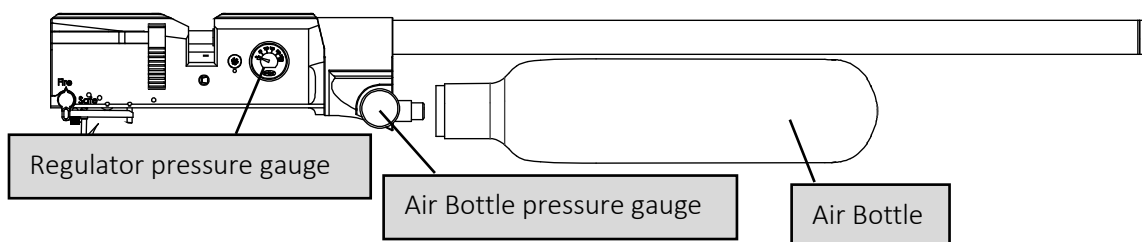
HOW TO DRAIN THE RIFLE FROM AIR PRESSURE

Dreamline with Airtube



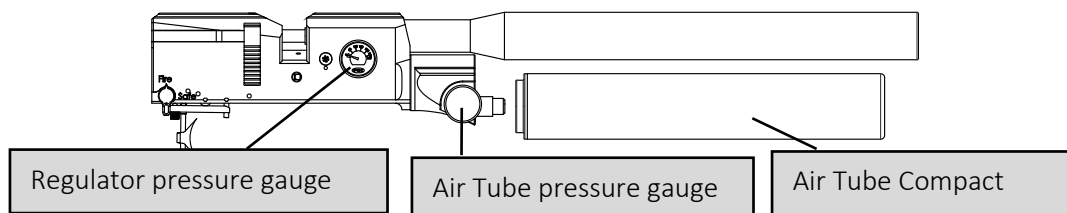
- 1 – If tube pressure is over 100bar, shoot air shots to get down to 100bar.
- 2 – Use some kind of tool as a lever to apply pressure on the valve pin, this will drain the air thru the barrel. A usable tool is a 2,5mm hex key or a small flat-head screw driver.
- 3 – Unscrew air tube from the action counter clockwise.

Dreamline with AirBottle Adapter and Air Bottle



- 1 – Loosen carefully Air Bottle from the rifle
 - 2 – Shoot a shot **without bullet** and listen if the air goes out of the rifle, if not try again. Regulator pressure gauge and Air Bottle pressure gauge must read zero air pressure.
- WARNING! Do not repeat if empty!**

Dreamline with AirBottle Adapter and Compact Tube



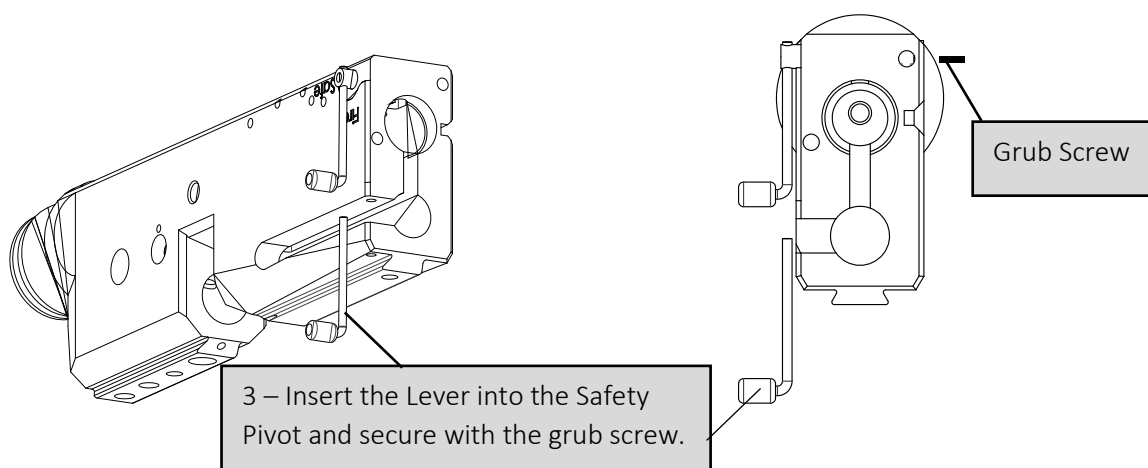
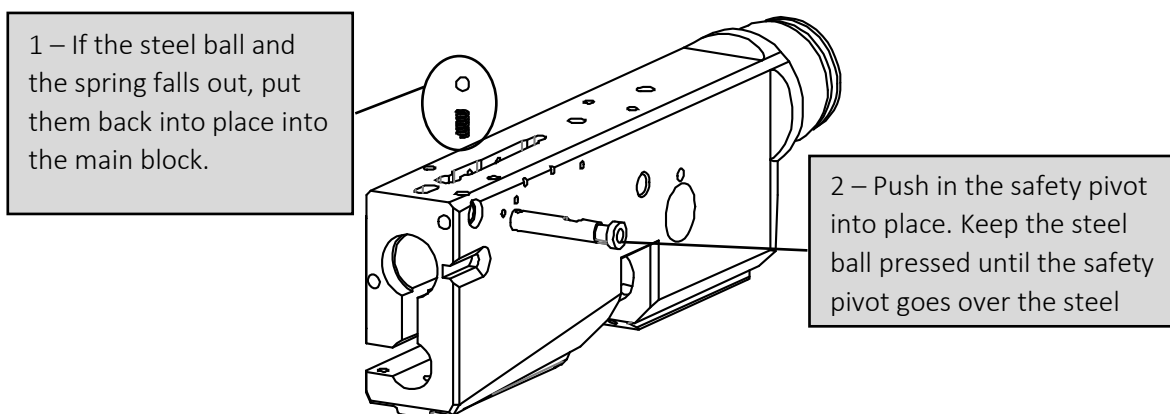
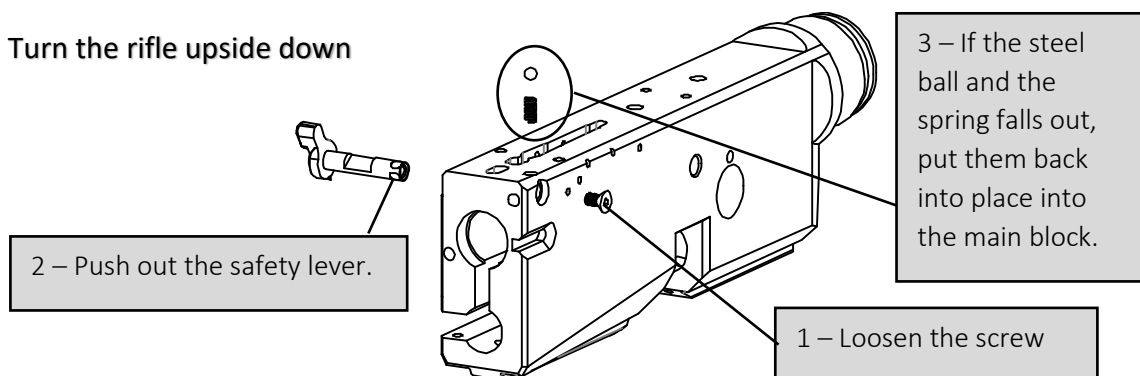
- 1 – Loosen carefully Air Tube Compact from the rifle
 - 2 – Shoot the air shot (**without bullet**) and listen if the air goes out of the rifle, if not try again. Regulator pressure gauge and Air Tube pressure gauge must read zero air pressure.
- WARNING! Do not repeat if empty!**

SAFETY LEVER REPLACEMENT

Dreamline Basic, Classic and Dreamline Bullpup have the "Classic" safety lever.

- **Warning, drain the air from air-tube/air-bottle and make sure the rifle is drained of air!**

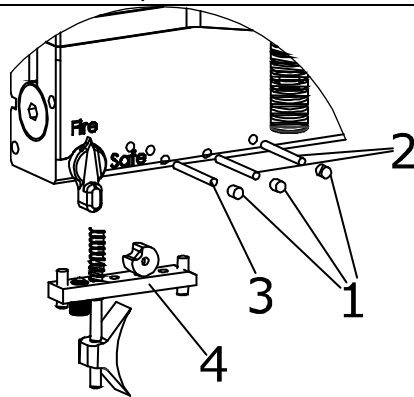
Turn the rifle upside down



TRIGGER REPLACEMENT

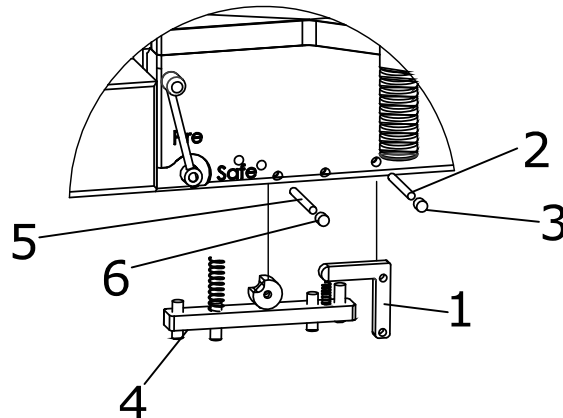
- *Warning, drain the air from air-tube/air-bottle and make sure the rifle is drained of air!*

Trigger standard



- 1 – Loosen grub screws (1)
- 2 – Push out the cylindrical pins (2)
- 3 – Push out the cylindrical pin (3)
- 4 – Pull out the complete trigger (4)

Trigger Bullpup

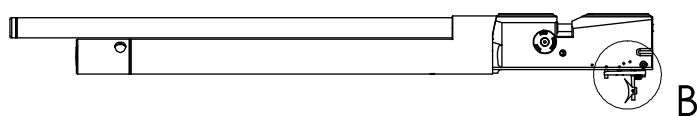


- 1 – Insert the L-trigger (1) into the main block and push the cylindrical pin (2) into their position
- 2 – Secure with the grub screw (3)
- 3 – Insert the Trigger complete (4) into it's position
- 4 – Push the cylindrical pin through the Trigger wheel (5)
- 5 – Secure with grub screw (6)

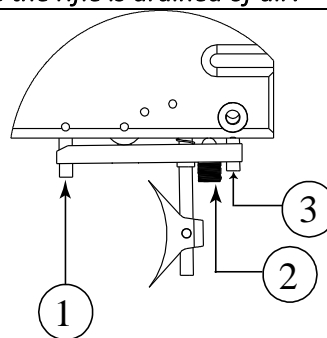
ADJUSTMENTS TRIGGERSYSTEM

- **Warning, drain the air from air-tube/air-bottle and make sure the rifle is drained of air!**

Standard triggersystem



To secure adjusting screws apply a drop of Blue Loctite 2400.

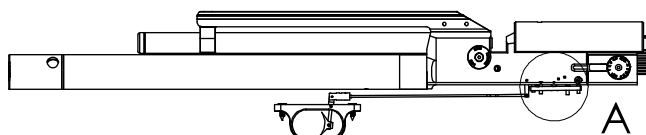


1 – The 1st Stage Length Adjustment (1) controls the travel or 1st Stage length.

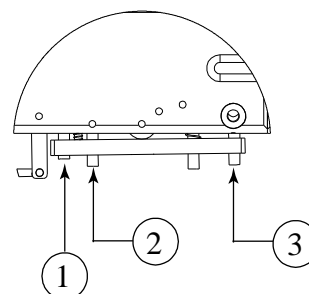
2 – The 2nd Stage Adjustment (2) is the break or release weight adjuster.

3 – Safety screw Adjustment

Bullpup triggersystem



To secure adjusting screws apply a drop of Blue Loctite 2400.



First Stage, Length of pull (3)

Adjust screw 1 clockwise to reduce the length of first stage travel, but also affects point 2.

1 and 2 works together and might need some adjustment back and forth to get it right.

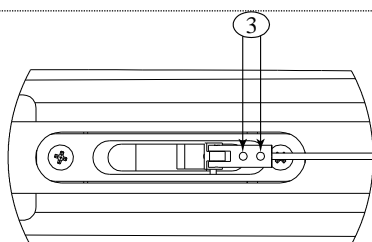
Second Stage. Resistance of pull (2)

Adjust screw 2 clockwise to increase resistance of the second stage, also affects point 1.

1 and 2 works together and might need some adjustment back and forth to get it right.

Position 3 – safety screw Adjustment

5 – Secure with grub screw (6)



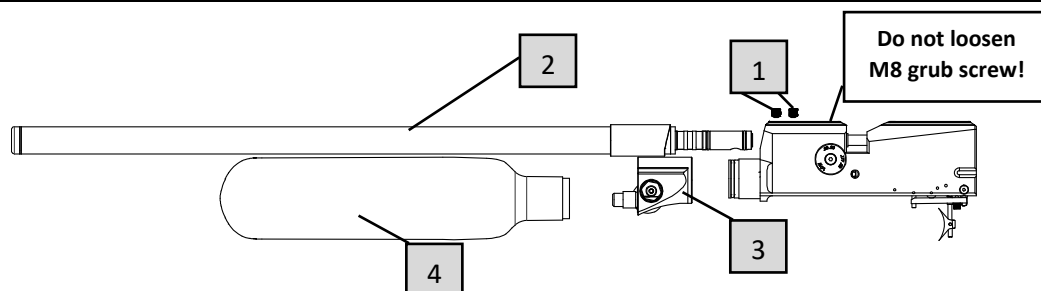
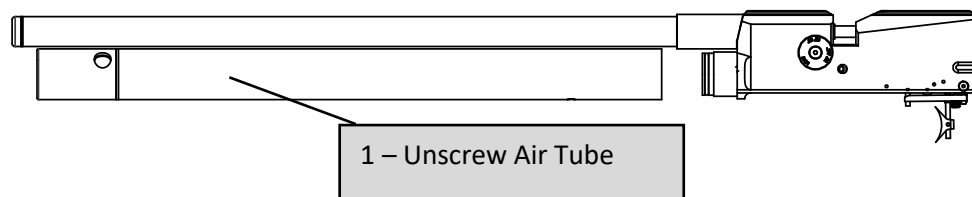
Trigger blade position (3)

Loosen screws and adjust rod to get wanted position of the trigger blade.

NOTICE – Adjusting your trigger can easily make the rifle unsafe. Take caution in safely adjusting and testing your trigger with an UNLOADED magazine and empty barrel. Always point the rifle in a safe direction while adjusting the trigger. Never rely on the trigger or safety when pointing your rifle at any target. And, always test the rifle thoroughly following any adjustments to ensure safety and reliability.

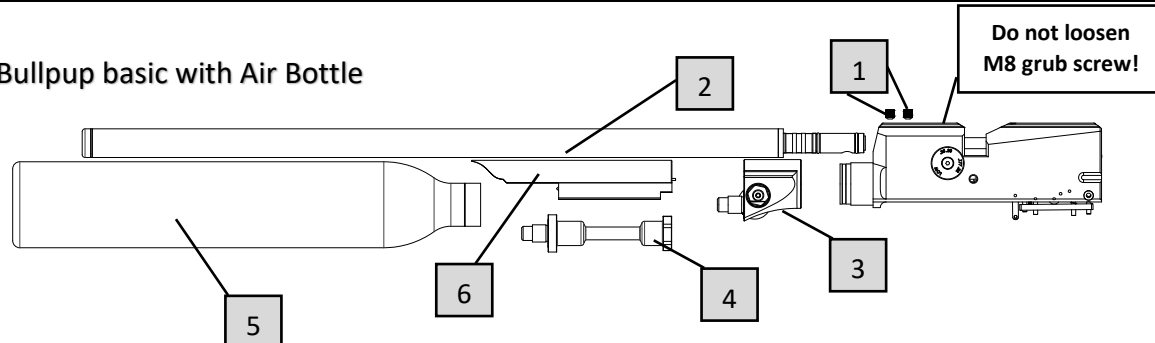
REPLACE THE AIR TUBE with AIR BOTTLE

- **Warning, drain the air from air-tube/air-bottle and make sure the rifle is drained of air!**



- 1 – Loosen grub screws (1) and pull the barrel (2) out of the system
- 2 – Screw the Air Bottle Adapter (3) to the system
- 3 – Screw the Air Bottle (4) to the bottle adapter (3)
- 4 – Insert the barrel back in the main block (2) and secure with the grub screws (1)

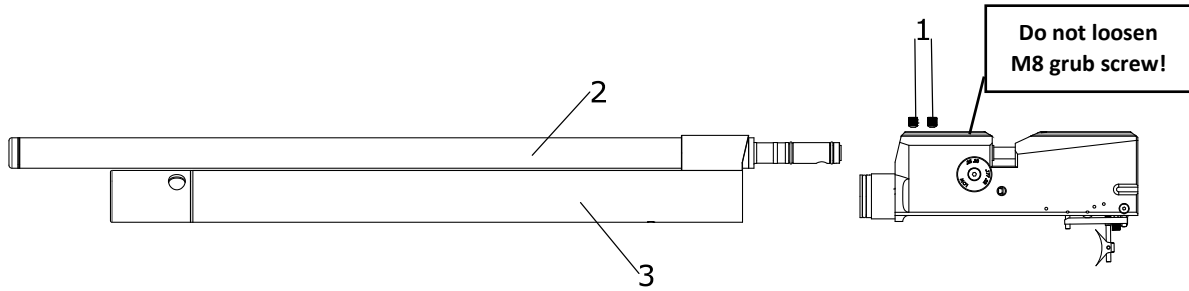
Bullpup basic with Air Bottle



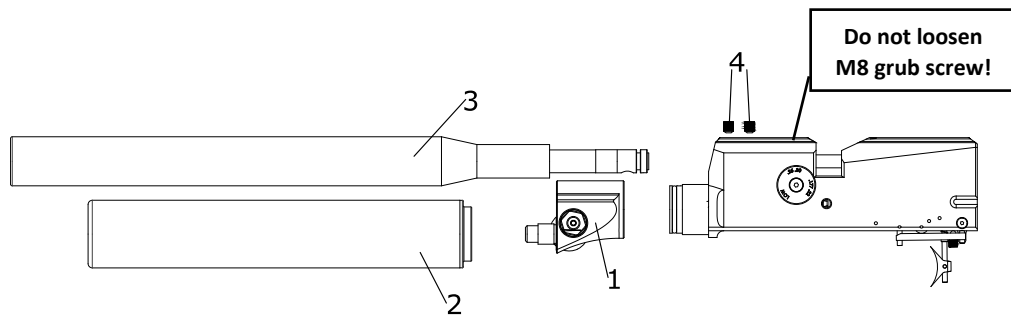
- 1 – Loosen the grub screws (1) and pull the barrel (2) out of the system
- 2 – Screw the Air Bottle Adapter (3) to the system
- 3 – Screw the Air Bottle Adapter Long, Bullpup (4) to bottle adapter (3)
- 4 – Screw on Air Bottle (5) to bottle adapter (4)
- 5 – Insert the Bottle Adapter Cover (6) in place, *between the Bottle Adapter (3) and the Air Bottle (5)*, over the Long Bottle Adapter Bullpup (4). Secure the Bottle Adapter Cover with the adjusting screw on the right side of the Bottle Adapter Cover (6).
- 6 - Insert the barrel back in the main block (2) and secure with the grub screws (1)

CONVERSION DREAMLINE BASIC to DREAMLINE BASIC COMPACT

- *Warning, drain the air from air-tube/air-bottle and make sure the rifle is drained of air!*



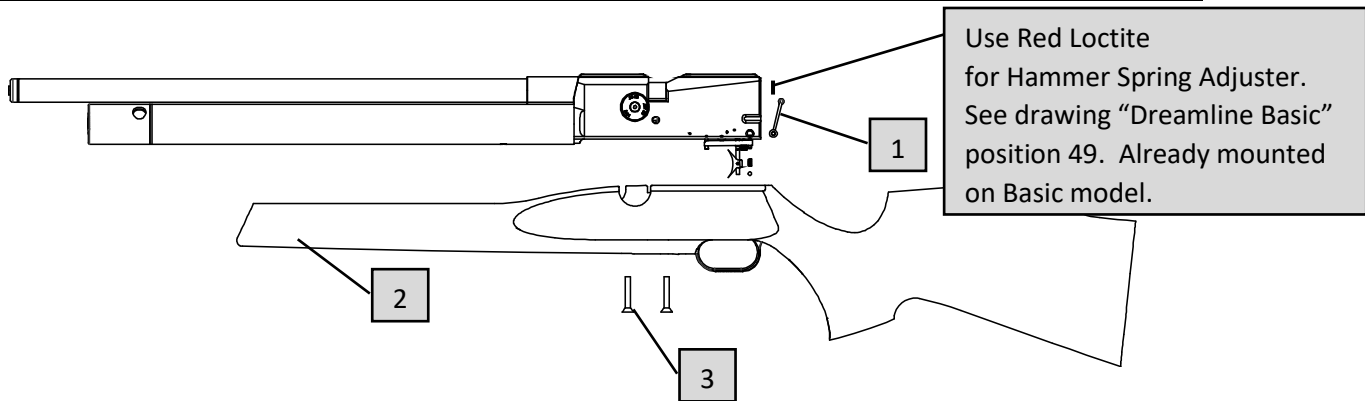
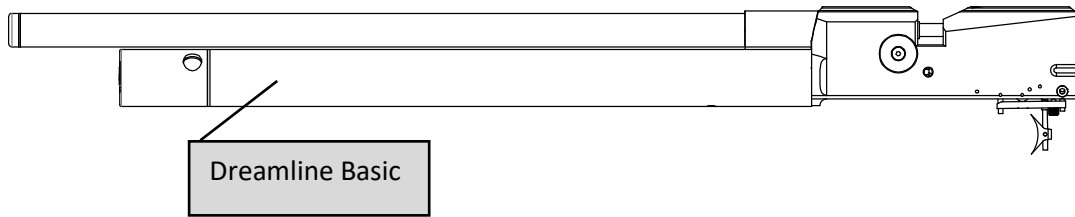
- 1 – Loosen grub screws (1)
- 2 – Pull the barrel (2) out of the system
- 3 – Unscrew Air Tube (3)



- 1 – Screw the Bottle Adapter (1) to the system
- 2 – Screw the Air Tube compact (2) to the bottle adapter (1)
- 3 – Insert the barrel compact in the main block
- 4 – Secure with the grub screws (4)

CONVERSION DREAMLINE BASIC to DREAMLINE CLASSIC

- *Warning, drain the air from air-tube/air-bottle and make sure the rifle is drained of air!*



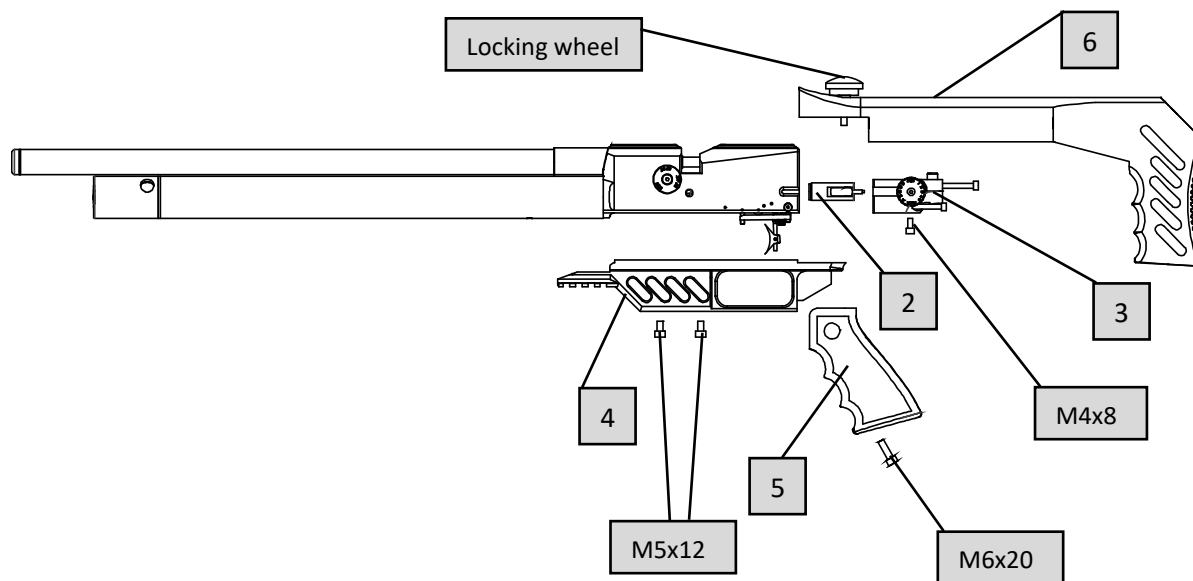
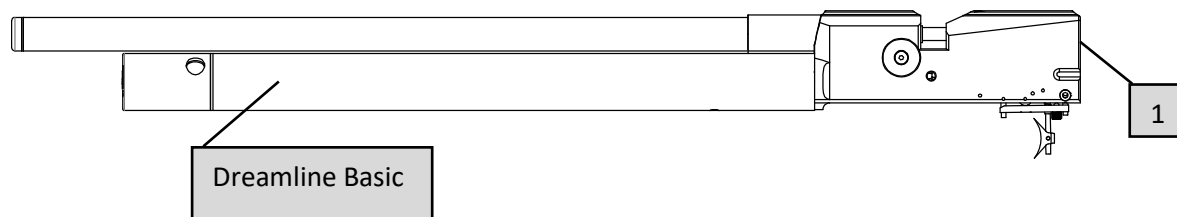
1 – Replace the Safety (1) to the Safety Classic model. The Classic Safety lever is already mounted from factory on the basic model.

2 – Insert the system into the stock (2)

3 – Secure from below with the screws M5x30

CONVERSION DREAMLINE BASIC to DREAMLINE LITE

- **Warning, drain the air from air-tube/air-bottle and make sure the rifle is drained of air!**



1 – Unscrew the hammer spring adjuster (1)

2 – Insert the spring holder (2) into the house hammer adjuster (3) and screw on to the main block with the special screw M4x30 on the left side and the screw M4x60 on the right side.

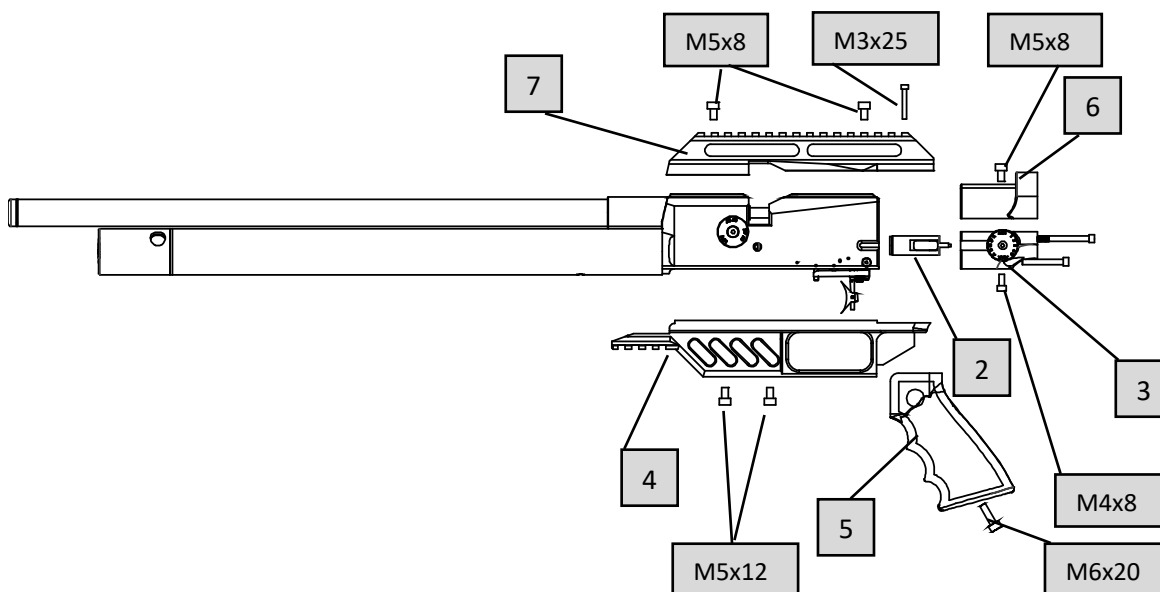
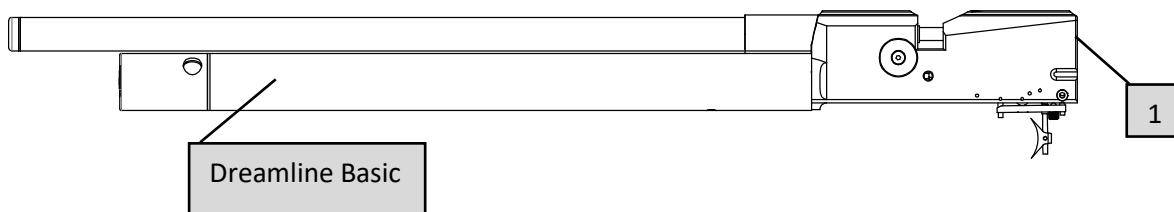
3 – Place the Lower Receiver (4) in place and secure with three screws, *two screws M5x12 goes into the main block and M4x8 goes into the house hammer adjuster (3)*

4 – Push the Grip (5) on to the Lower Receiver (4) and secure with screw M6x20

5 – Push the Stock (6) in place, *on the house hammer adjuster (3)*, and tighten with the Locking Wheel

CONVERSION DREAMLINE BASIC to DREAMLINE TACTICAL

- **Warning, drain the air from air-tube/air-bottle and make sure the rifle is drained of air!**



1 – Unscrew the hammer spring adjuster (1)

2 – Insert the spring holder (2) into the house hammer adjuster (3) and screw on to the main block with the special screw M4x30 on the left side and the screw M4x60 on the right side.

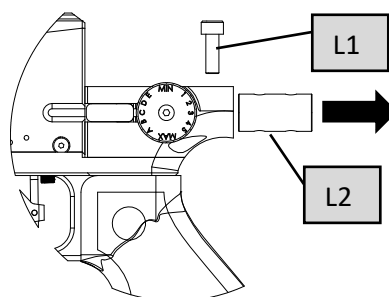
3 – Place the Lower Receiver (4) in place and secure with three screws, *two screws M5x12 goes into the main block and M4x8 goes into the house hammer adjuster (3)*

4 – Push the Grip (5) on to the Lower Receiver (4) and secure with screw M6x20

5 – Place the Stock Adapter (6) on the house hammer adjuster (3) and secure with the screws M5x8

6 – Place Rail (7) on the main block and secure with the screws M5x8. Secure also with the screws M3x25 to the Stock Adapter (6)

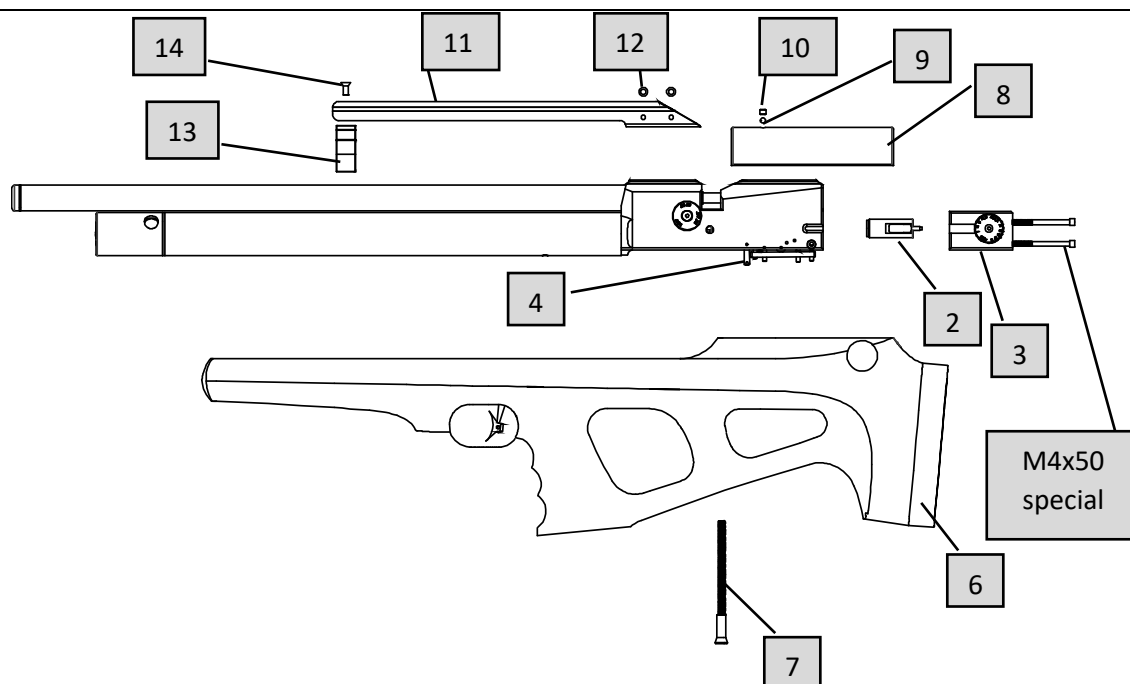
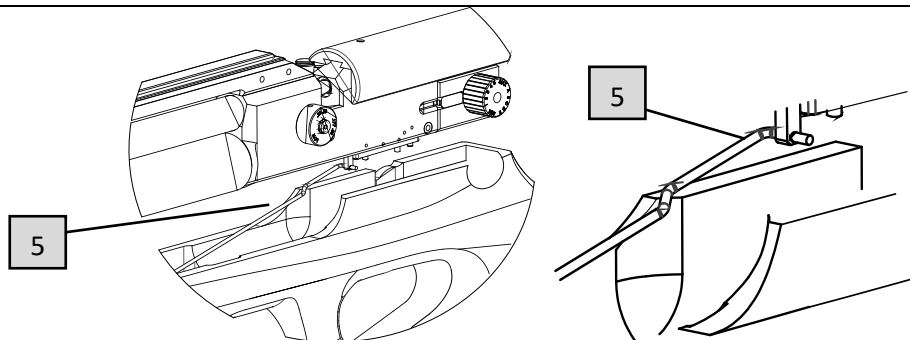
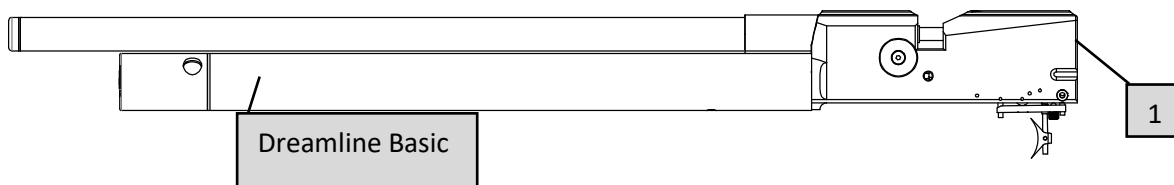
NOTE!



If converting from Dreamline Lite to Dreamline Tactical be sure to remove Screw (L1) and Piston (L2) from House hammer adjuster.

CONVERSION DREAMLINE BASIC to DREAMLINE BULLPUP

- **Warning, drain the air from air-tube/air-bottle and make sure the rifle is drained of air!**



1 – Unscrew the hammer spring adjuster (1)

2 – Replace the Trigger Standard Complete with Trigger Bullpup Complete and L-trigger (4)

3 – Insert spring holder (2) into the house hammer adjuster Bullpup (3) and screw on to the main block with the special screws M4x50.

4 – Lift up the Trigger Linkage (5) and hook it into the L-trigger

5 – Insert the system into the Bullpup stock and secure, from below, with the special screw (7).

6 – Push the Cheekrest (8) on to the main block, push the rubber ball (9) into the hole and secure with the grub screw (10)

7 – Push the Dovetailrail (11) on to the main block and secure with the screws M4x14 (12).

8 – Pull the Dovetailrail barrel support (13) on to the barrel and into the Dovetailrail and secure with the countersunk screw M4x10 (14).

9 - The Classic Safety lever is already mounted from factory on the basic model.