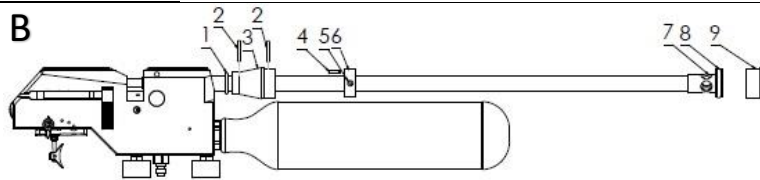


| Model | Other model names | Date | Revision | Revision date |
|----------|-------------------|------------|----------|---------------|
| FX Crown | | 2018-06-19 | EN.20.4 | 2020-10-28 |

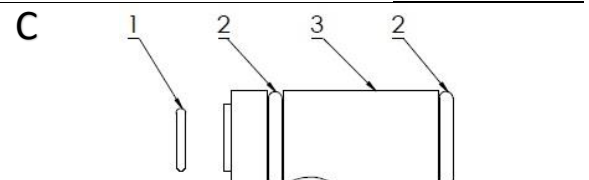
A



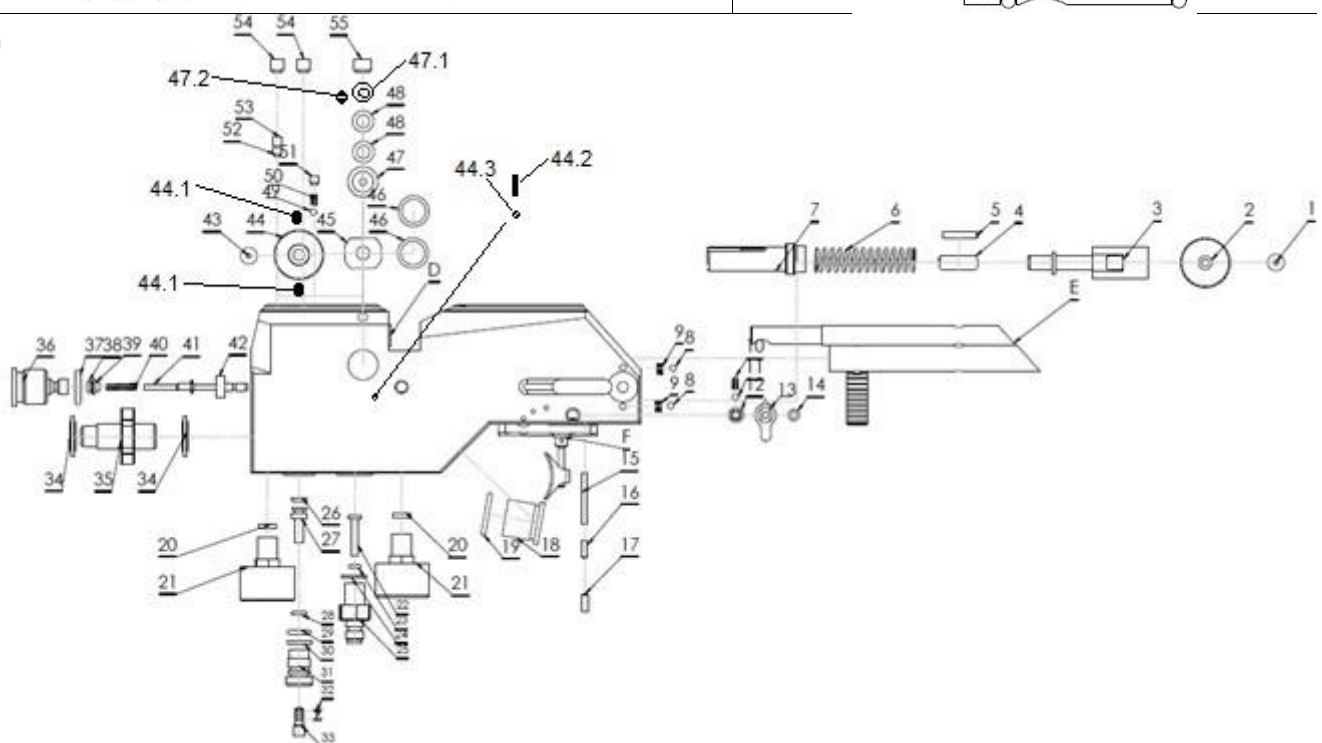
B



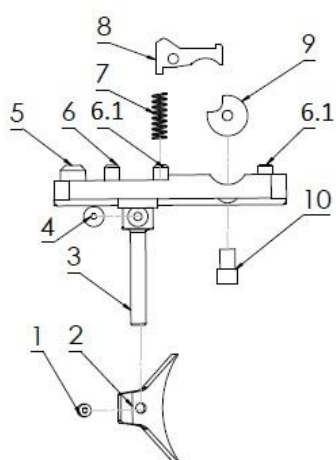
C



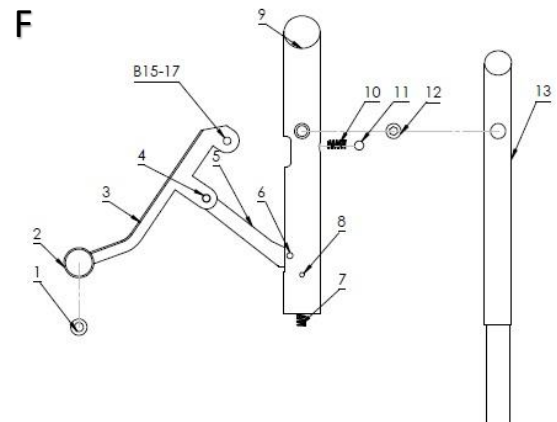
D



E



F



| Model | Other model names | Date | Revision | Revision date |
|----------|-------------------|------------|----------|---------------|
| FX Crown | | 2018-06-19 | EN.20.4 | 2020-10-28 |

| NO | ART. NO | DESCRIPTION | NO | ART. NO | DESCRIPTION |
|--------------------|-----------------|--|----------|---------|--|
| A1-Walnut | 19940 | Crown Walnut Stock | D31 | 19697-1 | Regulator housing Impact/Crown, <i>from ser.no. 181700</i> |
| A1-Gray | 19943 | Crown Laminate Gray Stock | D32 | 19731 | O-ring 2x1 NBR 90 |
| A1-Green | 19941 | Crown Laminate Green Stock | D33 | 19695 | Regulator Screw Impact |
| A1-Blue | 19942 | Crown Laminate Blue Stock | D34 | 11507 | Rubber/Steel Washer |
| A2 | 19901 | Main block Crown | D35 | 19659 | Bottle connector Impact |
| A2 | 19901-Picatinny | Main block Crown Picatinny | D36 | 19905 | M16 Guide Crown |
| A3-4,5 & 5,5 | 19142 | Shroud 447mm Extreme | D36 | 19948 | <i>Gide M16 low power, for 10J/12Ft</i> |
| A3-6,35 & 7,62 | 19975 | Shroud 562mm | D37 | 5109 | O-ring 11,6x2,4 NBR 70 |
| A4 | 5532 | Tube/ Bottle Carbonfiber 480cc | D38 | 5111 | O-ring 2,5x1,5 NBR 90 |
| B1 | 12045 | O-ring 13.95x2.62 NBR 70 | D39 | 19038 | Spring seat v7 |
| B2 | 12045 | O-ring 13.95x2.62 NBR 70 | D40 | 2525 | Spring 0,6x4x15 |
| B3 | 19925 | Shroud-cone Crown | D40 | 11627 | <i>Spring 0,6x4x20, for 10J/12Ft</i> |
| B4 | 11509 | Cylindrical pin 3h6x10 | D41 | 19929 | Valvepin Crown SHP Complete, <i>Until Ser.No. 0112839</i> |
| B5 | 11201 | Cup point grub screw M5x4 | D41 | 19929-1 | Valvepin Crown Ø6,8 Complete, <i>from ser.no. 0112839</i> |
| B6 | 19926 | Shroudstop Crown | D42 | 19217 | Valveseat CPL, <i>Until Ser.No. 0112839</i> |
| B7 | 19911 | Shroud compensator .22 | D42 | 2024C | Valve Seat Mega Complete, <i>from ser.no. 0112839</i> |
| B7 | 19912 | Shroud compensator .25 | D43 | 16104 | Countersunk screw M4x14 |
| B7 | 19913 | Shroud Compensator .30 | D44 | 19915 | Power adjuster house Crown |
| B8 | 19951 | O-ring 18x3,5 NBR 70 | D44 | 20123 | <i>Power adjuster Crown Picatinny</i> |
| B9-4.5 & 5.5 | 19654 | Impactmuzzle 7,0 | D44.1 | 2562 | Cup point grub screw M3x3, <i>Crown Picatinny</i> |
| B9- 6.35 | 19655 | Impactmuzzle 8,0 | D44.2 | 11501 | Spring 0,5x2,5x6,1, <i>Crown Picatinny</i> |
| B9- 7.62 | 19656 | Impactmuzzle 9,0 | D44.3 | 4066 | Steel ball 3mm, <i>Crown Picatinny</i> |
| C1- 4.5 | 2529 | O-ring 4,3 x 1,5 NBR 70 | D45 | 19923 | Poweradjuster outer crown |
| C1- 5.5 | 19726 | O-ring 5,5 x 1,5 NBR 70 | D46 | 19956 | O-ring 11,1x1,6 NBR 90 |
| C1- 6.35 | 2575 | O-ring 6,35 x 1,27 NBR 70 | D47 | 19922 | Power adjuster inner Crown |
| C1- 7.62 | 19209 | O-ring 7,5 x 1,5 NBR 70 | D47 | 19937 | <i>Power adjuster inner Crown 10J</i> |
| C2- .177, .22, .25 | 19703 | O-ring 10x2 NBR 70 | D47 | 19936 | <i>Power adjuster inner Crown 12Ft</i> |
| C2- .30 | 19210 | O-ring 11x1,5 NBR 70 | D47 | 20124 | Power adjuster inner, <i>Crown Picatinny</i> |
| C3 | 19628 | Barrel inlet .177 Impact/Crown | D47 | 20145 | Power adjuster inner 10J/12ft Dreamline/Crown Picatinny |
| C3 | 19629 | Barrel inlet .22 Impact/ Crown | D47.1 | 5208 | Screw Countersunk M4x6, <i>Crown Picatinny</i> |
| C3 | 19670 | Barrel inlet .25 Impact/Crown | D47.2 | 2562 | Cup point grub screw M3x3, <i>Crown Picatinny</i> |
| C3 | 19671 | Barrel inlet .30 Impact/Crown | D48 | 19953 | O-ring 5,5x2 NBR 70 |
| D1 | 2508 | Countersunk screw M3x10 | D49 | 4066 | Steel Ball 3mm |
| D2 | 19908 | Power adjuster Crown | D50 | 11501 | Spring 0,5x2,5x6,1 |
| D3 | 19902 | Springholder Crown | D51 | 2637 | Grub screw M4x6 flat |
| D4 | 19909 | Hammer Adjuster Crown | D52 | 2637 | Grub screw M4x6 flat |
| D5 | 19683 | Grubscrew M3x18 | D53 | 2637 | Grub screw M4x6 flat |
| D6 | 11500 | Hammerspring v2 | D54 | 19846 | Grub screw M6x6 |
| D6 | 16024 | <i>Hammerspring, for 10J /12Ft</i> | D55 | 19955 | Grub screw M8x6 |
| D7 | 19039 | Hammer v7 | E1 | 12035 | Grub screw M2.5x2.5 |
| D8 | 11501 | Spring 0,5x2,5x6,1 | E2 | 19136 | Adjustable trigger blade |
| D9 | 4066 | Steelball 3mm | E3 | 19137 | Triggerpin |
| D10 | 11501 | Spring 0,5x2,5x6,1 | E4 | 19178 | Screw M2x4 |
| D11 | 4066 | Steelball 3mm | E5 | 11015 | Second stage trigger screw M5 |
| D12 | 19907 | Safety Crown | E6 | 2500 | Grub screw M3x6 |
| D13 | 19906 | Safety lever Crown | E6.1 | 19742 | Grub screw M3x8 |
| D14 | 11546 | Socket head cap screw M3x14 | E7 | 11544 | Spring 0,32x3,2x14,4 (Cut 2,5v) |
| D15 | 1501 | Cylindrical pin 2,5m6x24 | E8 | 19934 | Trigger sear Crown |
| D16 | 19026 | Cylindrical pin 2,5m6x6 | E9 | 11525 | Trigger wheel |
| D17 | 11508 | Grub screw M3x10 | E10 | 19927 | Screw trigger roll Crown |
| D18 | 19904 | Plug M18x1 Crown | F1 | 19682 | Socket head cap screw M3x16 |
| D19 | 19950 | O-ring 14x2 NBR 70 | F2 | 19611 | Side lever handle B2-WC-IM |
| D20 | 19723-1 | Plastic Washer "Thick" Impact Regulator Gauge | F3 | 19638 | Sidelever Imp, Crown, Str |
| D21 | 11505 | Pressure gauge 25mm 1/8" | F4 | 19026 | Cylindrical pin 2,5m6x6 |
| D22 | 19329 | Inlet valve rod "gold" | F5 | 19935 | Linkage Crown |
| D23 | 5111 | O-ring 2.5x1.5 NBR 90 | F6 | 19601 | Cylindrical pin 2h6x6 |
| D24 | 19720 | O-ring 10x1 NBR 90 | F7 | 19957 | Fjäder 0,8x6,5ydx18,5x9nt NPA |
| D25 | 19939 | Quick connector Crown | F8 | 11509 | CPK 3h6x10 |
| D26 | 19109 | O-ring 4x1,5 NBR 70 | F9 | 19921 | Carrier |
| D27 | 19696 | Regulator piston (long) (May 2017>) | F10 | 11503 | Spring 0,5x2,5x4,4 |
| D28 | 19109 | O-ring 4x1,5 NBR 70 | F11 | 4066 | Steelball 3mm |
| D29 | 19763 | O-ring 9x1,5 NBR 90, <i>until serial no. 181700</i> | F12 | 19914 | Pellet probe screw |
| D29 | 19790 | O-ring 10x1,5 NBR90, <i>from ser.no. 181700</i> | F13-4.5 | 19917 | Pellet probe Crown .177 |
| D30 | 4528 | O-ring 7,66x1,78 NBR 70, <i>until ser. no. 181700</i> | F13-5.5 | 19918 | Pellet probe Crown .22 |
| D30 | 19225 | O-ring 7,5x2 NBR70, <i>from ser.no. 181700</i> | F13-6.35 | 19919 | Pellet probe Crown .25 |
| D31 | 19697 | Regulator housing Impact, <i>until serial no. 181700</i> | F13-7.62 | 19920 | Pellet probe Crown .30 |