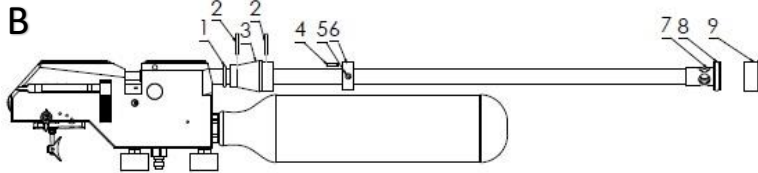


Model	Other model names	Date	Revision	Revision date
FX Crown		2018-06-19	EN.20.3	2020-10-07

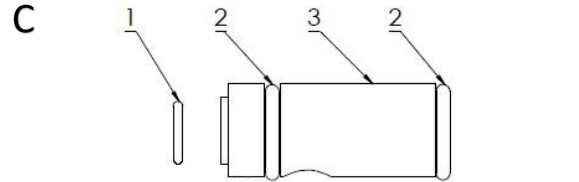
A



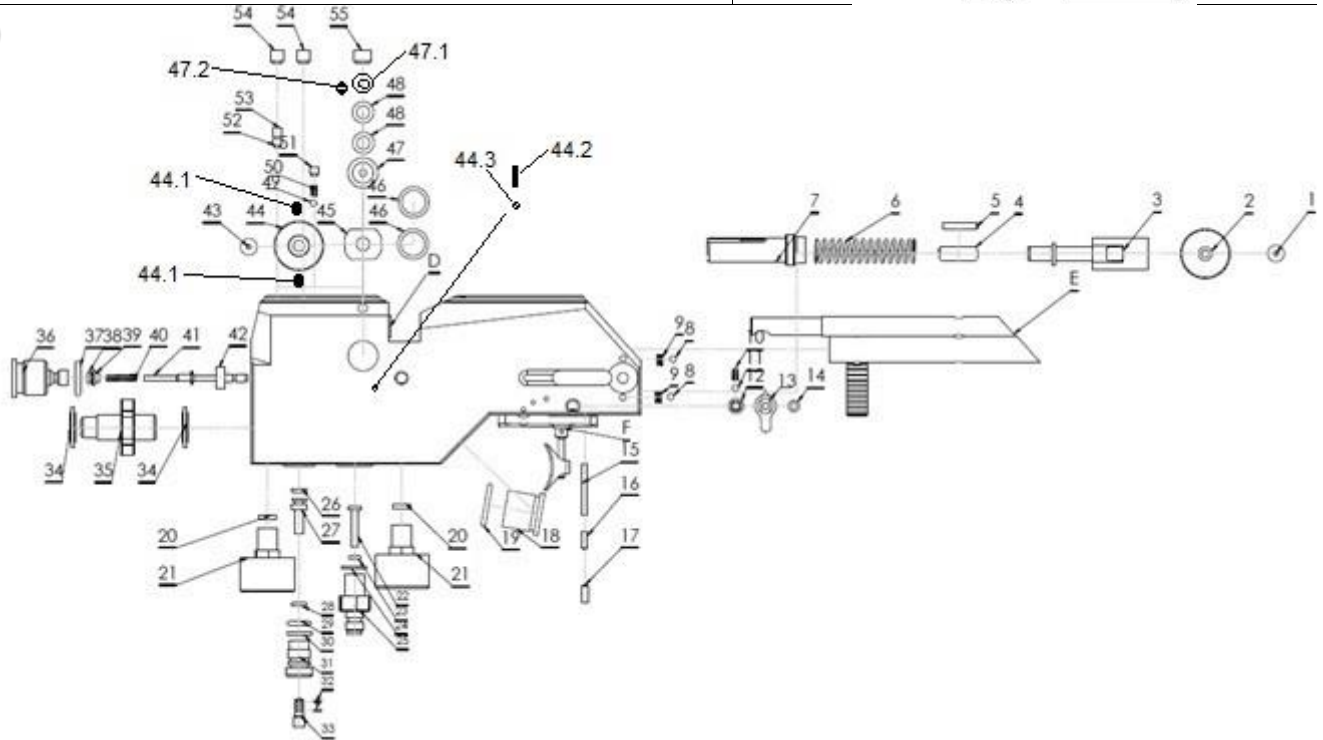
B



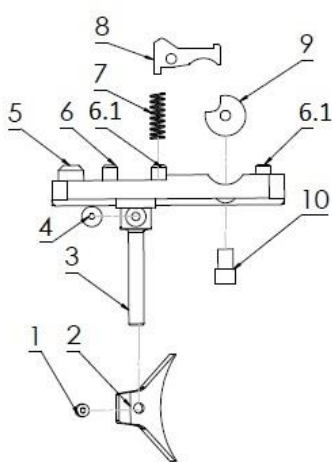
C



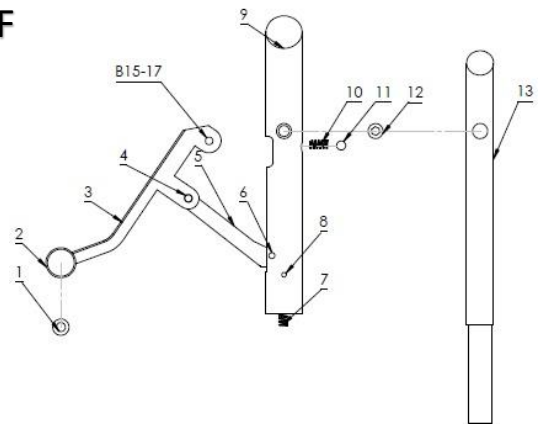
D



E



F



Model	Other model names	Date	Revision	Revision date
FX Crown		2018-06-19	EN.20.3	2020-10-07

NO	ART. NO	DESCRIPTION	NO	ART. NO	DESCRIPTION
A1-Walnut	19940	Crown Walnut Stock	D31	19697-1	Regulator housing Impact/Crown, <i>from ser.no. 181700</i>
A1-Gray	19943	Crown Laminate Gray Stock	D32	19731	O-ring 2x1 NBR 90
A1-Green	19941	Crown Laminate Green Stock	D33	19695	Regulator Screw Impact
A1-Blue	19942	Crown Laminate Blue Stock	D34	11507	Rubber/Steel Washer
A2	19901	Main block Crown	D35	19659	Bottle connector Impact
A2	19901-Picatinny	Main block Crown Picatinny	D36	19905	M16 Guide Crown
A3-4,5 & 5,5	19142	Shroud 447mm Extreme	D36	19948	<i>Gide M16 low power, for 10J/12Ft</i>
A3-6,35 & 7,62	19975	Shroud 562mm	D37	5109	O-ring 11,6x2,4 NBR 70
A4	5532	Tube/ Bottle Carbonfiber 480cc	D38	5111	O-ring 2,5x1,5 NBR 90
B1	12045	O-ring 13.95x2.62 NBR 70	D39	19038	Spring seat v7
B2	12045	O-ring 13.95x2.62 NBR 70	D40	2525	Spring 0,6x4x15
B3	19925	Shroud-cone Crown	D40	11627	<i>Spring 0,6x4x20, for 10J/12Ft</i>
B4	11509	Cylindrical pin 3h6x10	D41	19929	Valvepin Crown SHP Complete, <i>Until Ser.No. 0112839</i>
B5	11201	Cup point grub screw M5x4	D41	19929-1	Valvepin Crown Ø6,8 Complete, <i>from ser.no. 0112839</i>
B6	19926	Shroudstop Crown	D42	19217	Valveseat CPL, <i>Until Ser.No. 0112839</i>
B7	19911	Shroud compensator .22	D42	2024C	Valve Seat Mega Complete, <i>from ser.no. 0112839</i>
B7	19912	Shroud compensator .25	D43	16104	Countersunk screw M4x14
B7	19913	Shroud Compensator .30	D44	19915	Power adjuster house Crown
B8	19951	O-ring 18x3,5 NBR 70	D44	20123	<i>Power adjuster Crown Picatinny</i>
B9-4.5 & 5.5	19654	Impactmuzzle 7,0	D44.1	2562	Cup point grub screw M3x3, <i>Crown Picatinny</i>
B9- 6.35	19655	Impactmuzzle 8,0	D44.2	11501	Spring 0,5x2,5x6,1, <i>Crown Picatinny</i>
B9- 7.62	19656	Impactmuzzle 9,0	D44.3	4066	Steel ball 3mm, <i>Crown Picatinny</i>
C1- 4.5	2529	O-ring 4,3 x 1,5 NBR 70	D45	19923	Poweradjuster outer crown
C1- 5.5	19726	O-ring 5,5 x 1,5 NBR 70	D46	19956	O-ring 11,1x1,6 NBR 90
C1- 6.35	2575	O-ring 6,35 x 1,27 NBR 70	D47	19922	Power adjuster inner Crown
C1- 7.62	19209	O-ring 7,5 x 1,5 NBR 70	D47	19937	<i>Power adjuster inner Crown 10J</i>
C2- .177, .22, .25	19703	O-ring 10x2 NBR 70	D47	19936	<i>Power adjuster inner Crown 12Ft</i>
C2- .30	19210	O-ring 11x1,5 NBR 70	D47	20124	Power adjuster inner, <i>Crown Picatinny</i>
C3	19628	Barrel inlet .177 Impact/Crown	D47	20145	Power adjuster inner 10J/12ft Dreamline/Crown Picatinny
C3	19629	Barrel inlet .22 Impact/ Crown	D47.1	5208	Screw Countersunk M4x6, <i>Crown Picatinny</i>
C3	19670	Barrel inlet .25 Impact/Crown	D47.2	2562	Cup point grub screw M3x3, <i>Crown Picatinny</i>
C3	19671	Barrel inlet .30 Impact/Crown	D48	19953	O-ring 5,5x2 NBR 70
D1	2508	Countersunk screw M3x10	D49	4066	Steel Ball 3mm
D2	19908	Power adjuster Crown	D50	11501	Spring 0,5x2,5x6,1
D3	19902	Springholder Crown	D51	2637	Grub screw M4x6 flat
D4	19909	Hammer Adjuster Crown	D52	2637	Grub screw M4x6 flat
D5	19683	Grubscrew M3x18	D53	2637	Grub screw M4x6 flat
D6	11500	Hammerspring v2	D54	19846	Grub screw M6x6
D6	16024	<i>Hammerspring, for 10J /12Ft</i>	D55	19955	Grub screw M8x6
D7	19039	Hammer v7	E1	12035	Grub screw M2.5x2.5
D8	11501	Spring 0,5x2,5x6,1	E2	19136	Adjustable trigger blade
D9	4066	Steelball 3mm	E3	19137	Triggerpin
D10	11501	Spring 0,5x2,5x6,1	E4	19178	Screw M2x4
D11	4066	Steelball 3mm	E5	11015	Second stage trigger screw M5
D12	19907	Safety Crown	E6	2500	Grub screw M3x6
D13	19906	Safety lever Crown	E6.1	19742	Grub screw M3x8
D14	11546	Socket head cap screw M3x14	E7	11544	Spring 0,32x3,2x14,4 (Cut 2,5v)
D15	1501	Cylindrical pin 2,5m6x24	E8	19934	Trigger sear Crown
D16	19026	Cylindrical pin 2,5m6x6	E9	11525	Trigger wheel
D17	11508	Grub screw M3x10	E10	19927	Screw trigger roll Crown
D18	19904	Plug M18x1 Crown	F1	19682	Socket head cap screw M3x16
D19	19950	O-ring 14x2 NBR 70	F2	19611	Side lever handle B2-WC-IM
D20	19723-1	Plastic Washer "Thick" Impact Regulator Gauge	F3	19638	Sidelever Imp, Crown, Str
D21	11505	Pressure gauge 25mm 1/8"	F4	19026	Cylindrical pin 2,5m6x6
D22	19329	Inlet valve rod "gold"	F5	19935	Linkage Crown
D23	5111	O-ring 2.5x1.5 NBR 90	F6	19601	Cylindrical pin 2h6x6
D24	16028	O-ring 12x1 NBR 70	F7	19957	Fjäder 0,8x6,5ydx18,5x9nt NPA
D25	19939	Quick connector Crown	F8	11509	CPK 3h6x10
D26	19109	O-ring 4x1,5 NBR 70	F9	19921	Carrier
D27	19696	Regulator piston (long) (May 2017>)	F10	11503	Spring 0,5x2,5x4,4
D28	19109	O-ring 4x1,5 NBR 70	F11	4066	Steelball 3mm
D29	19763	O-ring 9x1,5 NBR 90, <i>until serial no. 181700</i>	F12	19914	Pellet probe screw
D29	19790	O-ring 10x1,5 NBR90, <i>from ser.no. 181700</i>	F13-4.5	19917	Pellet probe Crown .177
D30	4528	O-ring 7,66x1,78 NBR 70, <i>until ser. no. 181700</i>	F13-5.5	19918	Pellet probe Crown .22
D30	19225	O-ring 7,5x2 NBR70, <i>from ser.no. 181700</i>	F13-6.35	19919	Pellet probe Crown .25
D31	19697	Regulator housing Impact, <i>until serial no. 181700</i>	F13-7.62	19920	Pellet probe Crown .30