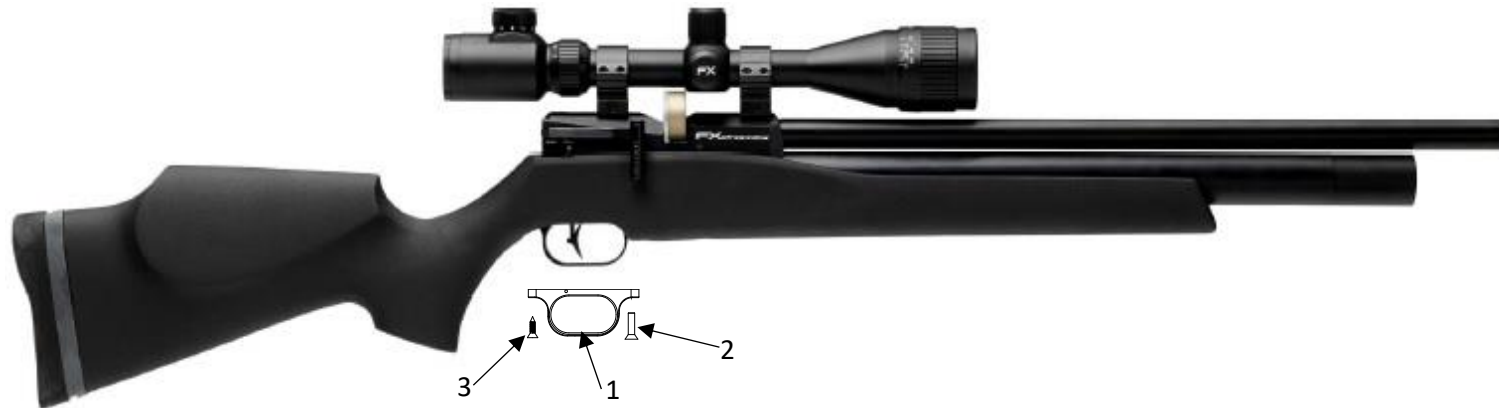
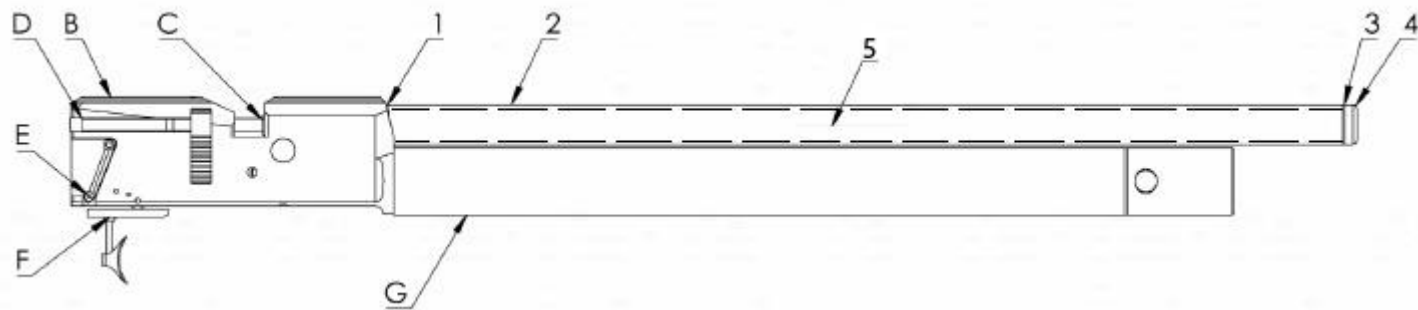


Model	Other model names	Date	Revision	Revision date
FX Streamline		2018-06-25	EN.20.3	2020-11-05

STOCK

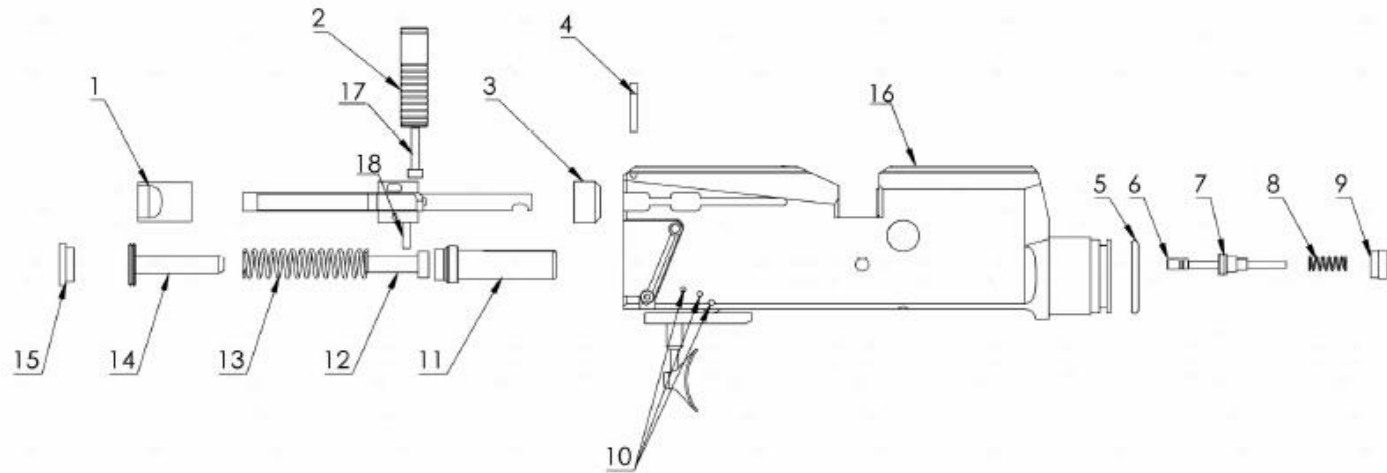


A

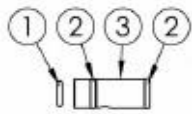


Model	Other model names	Date	Revision	Revision date
FX Streamline		2018-06-25	EN.20.3	2020-11-05

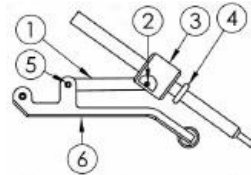
B



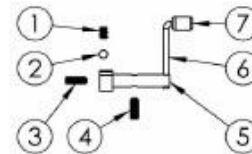
C



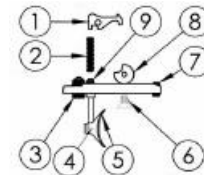
D



E



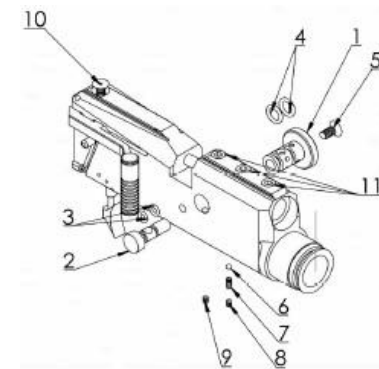
F



G



H



Model	Other model names	Date	Revision	Revision date
FX Streamline		2018-06-25	EN.20.3	2020-11-05

NO	ART. NO	DESCRIPTION	NO	ART. NO	DESCRIPTION	NO	ART. NO	DESCRIPTION
A1	19802	Shroud Guide	C1 - 6,35	4526	O-ring 6,4x1,3 NBR 70	G4 - 4,5 - 5,5	19830	Tube 34x360
A2 - 4,5 - 5,5	19868	Shroud 20x470	C2	19703	O-ring 10,0x2,0 NBR 70	G4 - 6,35	19831	Tube 34x475
A2 - 6,35	19867	Shroud 20x585	C3 - 4,5	19817	Barrel Inlet .177	G5	19530	Plug 1/8" Gold BC WC
A3 - 4,5 - 5,5	19807	Compensator	C3 - 5,5	19815	Barrel Inlet .22	G6	19329	Inlet-valve Rod (Gold)
A3 - 6,35	19810	Compensator .25	C3 - 6,35	19822	Barrel Inlet .25	G7	5111	O-ring 2,5x1,5 NBR 90
A4	19821	Muzzle-thread cover	D1	19021	Side lever linkage	G8	20080	Tube End Pressure Gauge
A5	19744	Barrel 4,50-14-485 Impact	D2	19042	Cylindrical pin 2mx6x8	G9	19485	O-ring 23,0x2,5 NBR 70
A5	19706	Barrel 5,50-14-485 Impact	D3	19011	Pelletprobe 4,5	G10	19484	O-ring 24x2 NBR 70
A5	19115	Barrel 6,35-14-485	D3	19010	Pelletprobe 5,5 V7	G11	19484	O-ring 24x2 NBR 70
			D3	19192	Pelletprobe 6,35 V7.8	G12	5003	Plastic Washer 4mm 1/8"
B1	19029	Rear pellet probe guide	D4	19171	O-ring 4x2 NBR70	G13	11505	Pressure gauge 25mm 1/8"
B2	19611	Sidelever handle	D4	19332	O-ring 5x2 NBR70	G14	19544	Dust cover Wildcat
B3 - 4,5	19823	Probeguide .177	D4	19228	O-ring 6x2 NBR70	G15	19545	Dust cover plastic ring
B3 - 5,5	19820	Probeguide .22	D5	19026	Cylindrical pin 2,5m6x6	G16	19497	O-ring 23,3x2,4 NBR 70
B3 - 6,35	19819	Probeguide .25	D6	19638	Sidelever Imp, Crown, Str	H1	19804	Outer power adjuster
B4	19034	Screw M3 "special"	E1	11503	Spring 0,5x2,5x4,4	H2	19805	Inner power adjuster
B5	19485	O-ring 23x2,5 NBR 70	E2	4066	Steelball 3mm	H3	19836	O-ring 4,1x16 NBR70
B6	19816C	Valve pin Streamline Complete	E3	11633	Grub Screw M2,5x8	H4	19835	O-ring 8x2 NBR70
B7	19060	Valve seat SHP Complete	E4	11508	Grub Screw M3x10	H5	2505	Countersink Screw M4x10
B8 - 24J>	19850	Spring 0,5x4x20	E5	11027	Safety Pivot	H6	4066	Steel Ball 3mm
B8 - >16J	19580	Spring 0,75x4x20	E6	19860	Safety lever 32,5mm	H7	11501	Spring 0,5x2,5x6,1
B9	19803	Valve mount	E7	11200	Safety Handle	H8	2501	Cup point grub screw M4x6
B10	19040	Cylindrical pin 2m6x23,5	F1	19177	Trigger Sear v7.8.12	H9	2637	Grubscrew M4x6mm flat
B11	19039	Hammer V7	F2	11504	Spring 0,32x3,2x14,4	H10	19025	Countersunk screw M5x8
B12 - 5,5 24J>	19215	Hammer Weight	F3	11062	Adj screw second stage, soft	H11	19846	Grubscrew M6x6
B12 - 6,35 24J>	19215	Hammer Weight	F4	12035	Grub screw M2,5x2,5	Stock 1	15008	Triggerguard
B13	11500	Hammer Spring	F5	19136	Adjustable trigger blade	Stock 2	19845	Countersunk screw M5x20, Front
B14 - >16J + 4,5	11030	Hammer Spring Adjuster	F6	19214	Countersunk screw m3x5	Stock 3	11622	Sheet metal screw 4,2x16, Rear
B14 - 24J>	11541	Hammer Spring Adjuster	F7	2500	Grub Screw M3x6	Stock	19862C	Synthetic Stock Streamline
B15 (uk)	16043	Anti-Tamper	F8	11525	Trigger Wheel	Stock	2510	Socket head cap screw M5x30
B16	19801	Main Block Streamline	F9	19809	Trigger Pin	Stock	16044	Stock spacer
B17	19683	Grubscrew M3x18	F10	11524	Trigger Base	Stock	19863C	Stock streamline Walnut cpl.
B18	19490	Cylindrical pin 3h6x14	G1	19497	O-ring 23,3x2,4 NBR 70	Stock	19864C	Stock Streamline Laminate Cpl.
C1 - 4,5	2529	O-ring 4,3x1.5 NBR 70	G2	19512	Regulator seat	Stock	11523	Countersunk screw M5x30
C1 - 5,5	19726	O-ring 5,5x1,5 NBR 70	G3	19043	Regulator Mounted			