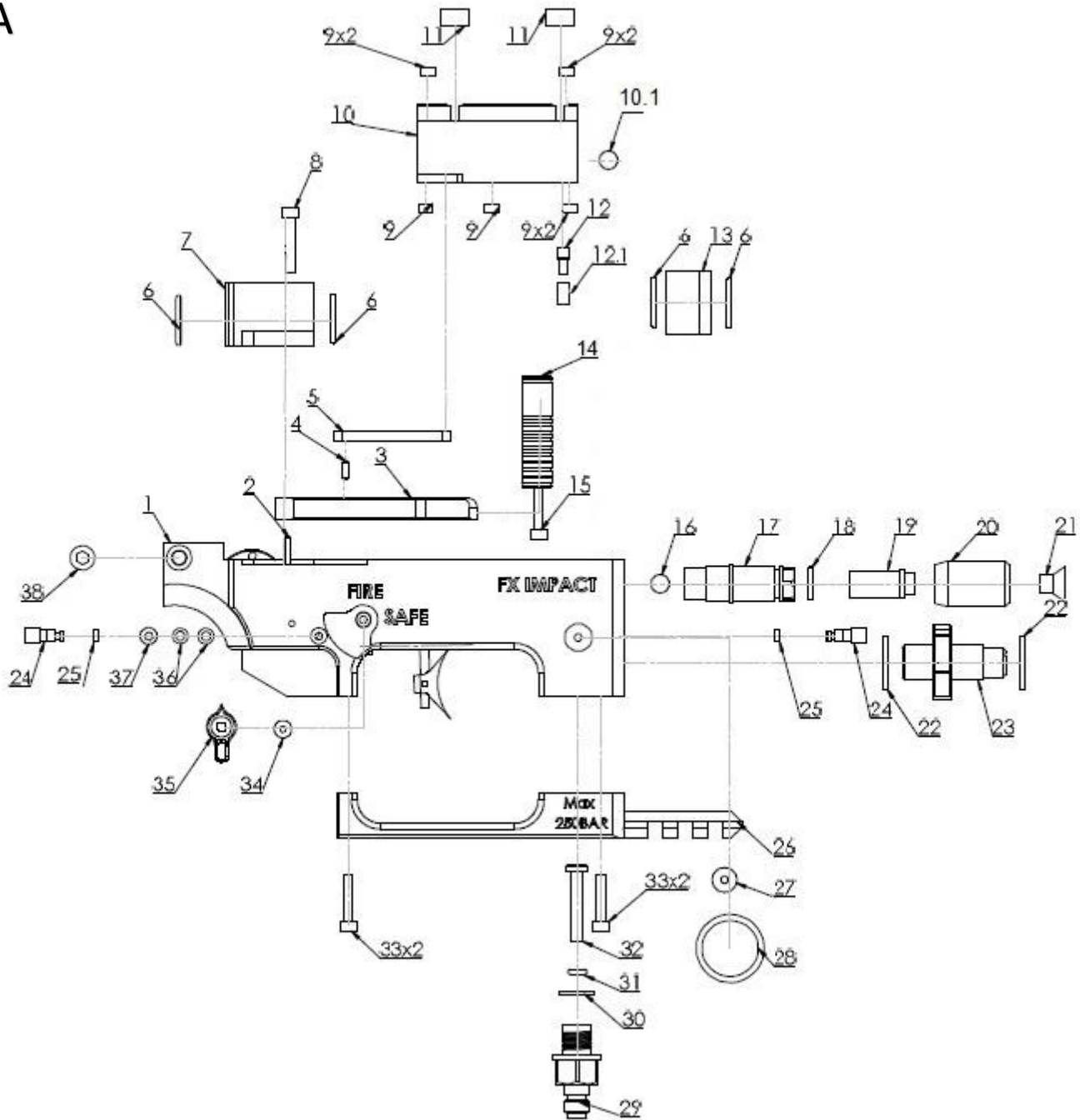


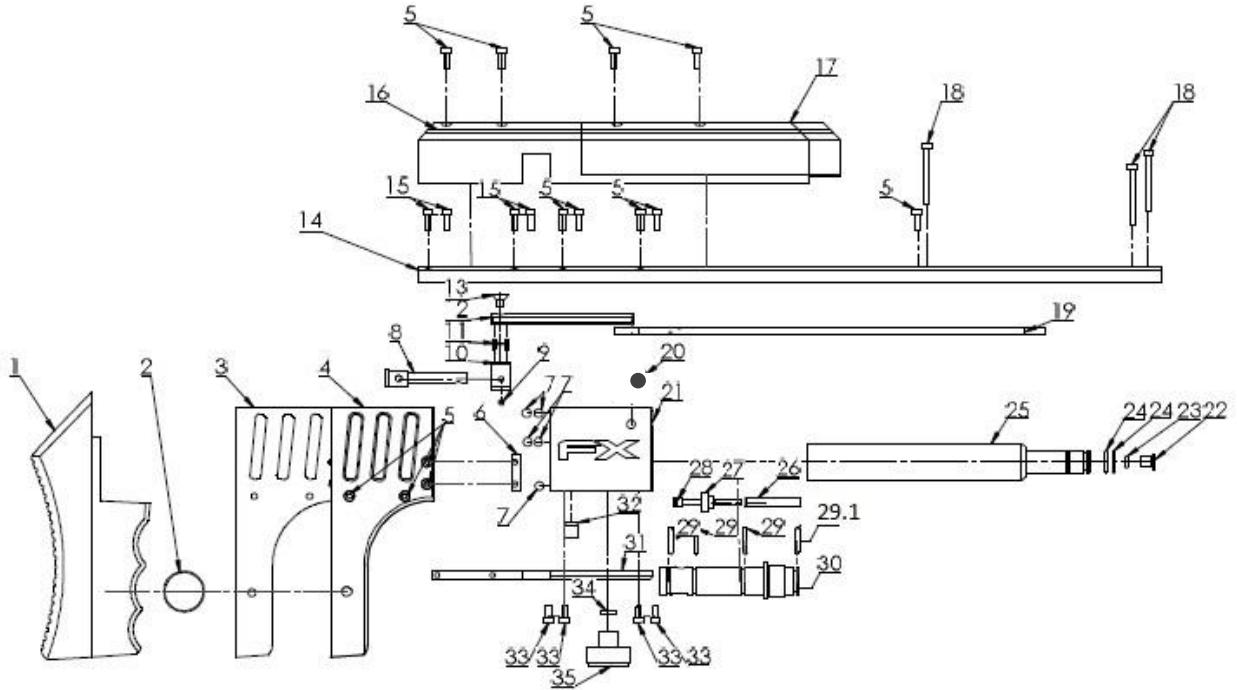
| Model     | Other model names | Date       | Revision | Revision date |
|-----------|-------------------|------------|----------|---------------|
| FX Impact |                   | 2018-06-19 | EN.21.01 | 2021-04-26    |

A

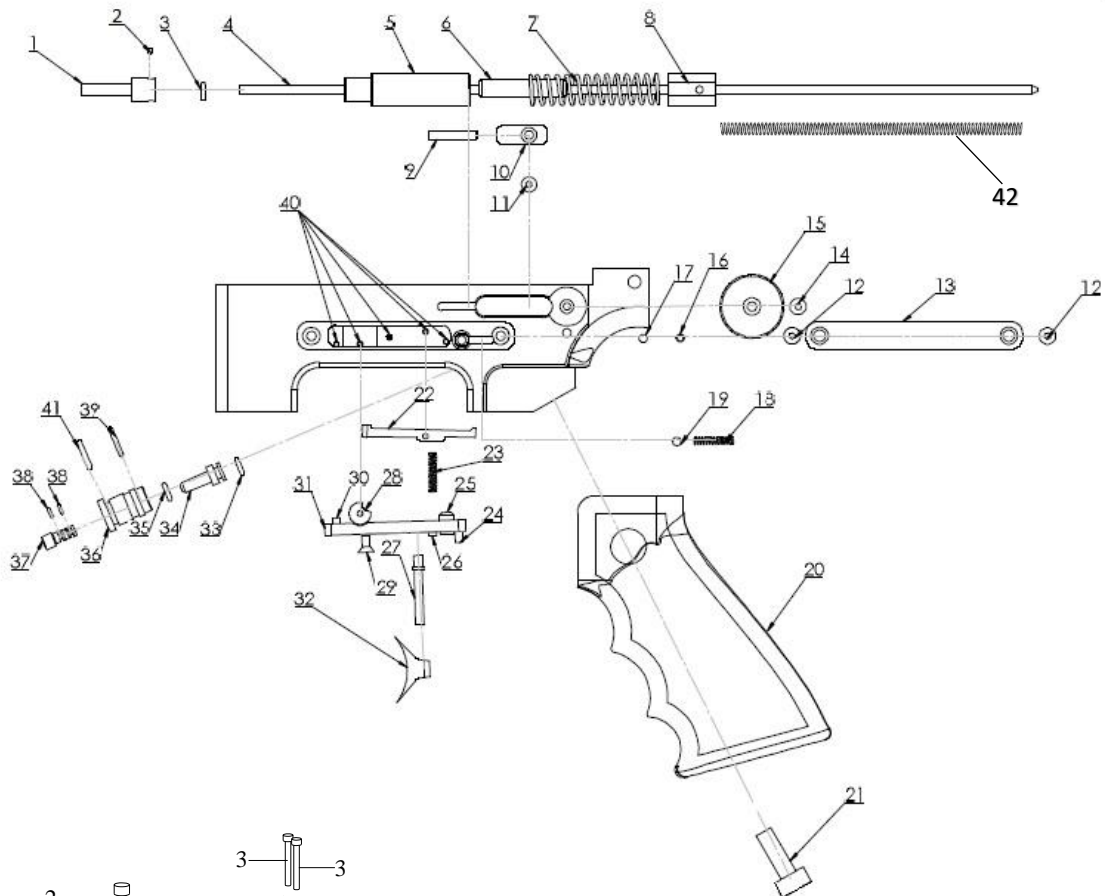


| Model     | Other model names | Date       | Revision | Revision date |
|-----------|-------------------|------------|----------|---------------|
| FX Impact |                   | 2018-06-19 | EN.21.01 | 2021-04-26    |

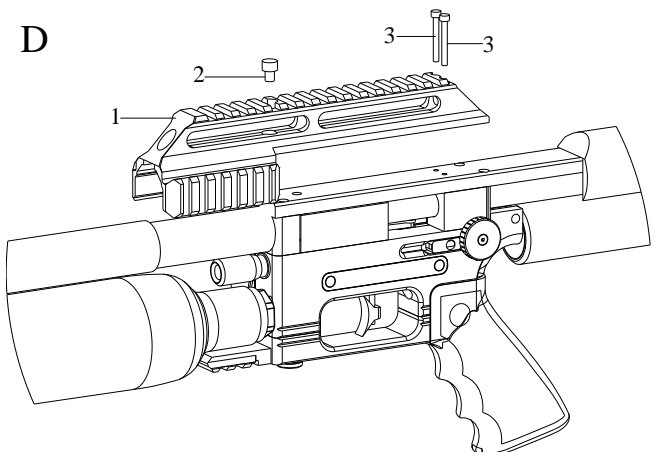
**B**



**C**



**D**



| Model     | Other model names | Date       | Revision | Revision date |
|-----------|-------------------|------------|----------|---------------|
| FX Impact |                   | 2018-06-19 | EN.21.01 | 2021-04-26    |

| NO    | ART. NO | DESCRIPTION   | NO    | ART. NO  | DESCRIPTION   |
|-------|---------|---|-------|----------|---|
| A1    | 19690-1 | Trigger block Impact MkI Black - trigger guard included                           | B22   | 19674    | O-ring valve tube stop  |
| A1    | 19690-2 | Trigger block Impact X - small regulator  | B23   | 19768    | O-ring 2,84x2,62 PUR 90   |
| A1    | 19690   | Trigger block Impact X MkII Black   | B24   | 19722    | O-ring 9x1,5 NBR 70   |
| A2    | 1501    | Cylindrical pin 2,5m6x24  | B25   | 19615    | Valvetube 20mm Impact   |
| A3    | 19638   | Sidelever Imp, Crown, Str   | B26   | 19603    | Valve nut Impact  |
| A4    | 19026   | Cylindrical pin 2,5m6x6   | B27   | 19217    | Valve seat Cal.30 Complete  |
| A5    | 19021   | Side lever linkage  | B28   | 7064     | Valvepin Impact complete  |
| A6    | 19718   | O-ring 14x1,5 NBR 70  | B29   | 19677    | O-ring 10,5x2 NBR 70  |
| A7    | 19650   | Rear Support Impact   | B29.1 | 19718    | O-ring 14x1,5 NBR 70  |
| A8    | 19740   | Socket head cap screw M3x22   | B30   | 19605-1  | Valvehousing Impact   |
| A9    | 19652   | Delrin Puck 5   | B31   | 19630    | Platemount Impact   |
| A10   | 19691   | Reloading block   | B32   | 19224    | Cup point grub screw M8x8   |
| A10.1 | 2531    | Rubberball 5,54 NBR 70  | B33   | 19713    | Socket head cap screw M3x6  |
| A11   | 19653   | Delrin Puck 9,9   | B34   | 19723    | Plastic Washer "Thin" Impact Regulator Gauge                                |
| A12   | 19672   | Hammer pin  | B35   | 19772    | Pressure Gauge 23mm Dreamline 300bar  |
| A12.1 | N/A     | N/A   | C1    | 19604    | Hammer seat   |
| A13   | 19651   | Front Support Impact  | C2    | 19741    | Grub screw M2x2   |
| A14   | 19611   | Side lever handle B2-WC-IM  | C3    | 5107     | O-ring 2,9x1,78 PUR 90  |
| A15   | 11060   | Socket head cap screw M3x18   | C4    | 19647    | Valve Rod   |
| A16   | 11599   | Rubber ball 6,35 NBR90  | C5    | 19622    | Impact Hammer HP - Depth 20mm   |
| A17   | 19616   | Valvestop Impact  | C6    | 19623    | Spring guide Impact   |
| A18   | 19722   | O-ring 9x1,5 NBR 70   | C7    | 11500    | Hammer spring   |
| A19   | 19668   | Valve adjuster screw  | C8    | 19609    | Spring holder Impact  |
| A20   | 19669   | Valve adjusterknob Impact   | C9    | 19683    | Grub screw M3x18  |
| A21   | 19717   | Countersunk screw M6x8  | C10   | 19602-OG | Hammer adjuster   |
| A22   | 11507   | Rubber/Steel Washer   | C11   | 19715    | Socket head cap screw M3x5  |
| A23   | 19659   | Bottle connector Impact   | C12   | 2504     | Countersunk screw M3x6  |
| A24   | 19694   | Brass adapter impact.   | C13   | 19693    | Impact sprintholder   |
| A25   | 19761   | O-ring 2,2x1 NBR 70   | C14   | 2508     | Countersunk screw M3x10   |
| A26   | 19689   | Triggerguard Black Impact   | C15   | 19608    | Power adjuster Impact   |
| A27   | 19762   | X-ring 3,63x2,62 NBR 70   | C16   | 11501    | Spring 0,5x2,5x6,1  |
| A28   | 19772   | Pressure Gauge 23mm Dreamline 300bar  | C17   | 4066     | Steel ball 3mm  |
| A29   | 16303   | Quick connector short   | C18   | 11501    | Spring 0,5x2,5x6,1  |
| A30   | 19720   | O-ring 10x1 NBR 90  | C19   | 4066     | Steel ball 3mm  |
| A31   | 5107    | O-ring 2,9x1,78 PUR 90  | C20   | 19710    | Houge Grip Rubber AR15  |
| A32   | 19005   | Inlet valve rod - Blue  | C21   | 19743    | Socket head cap screw M6x20   |
| A33   | 19682   | Socket head cap screw M3x16   | C22   | 19636    | Triggersear   |
| A34   | 2504    | Countersunk screw M3x6  | C23   | 11504    | Spring 0,32x3,2x14,4 v2.3   |
| A35   | 19610   | Safety  | C24   | 19742    | Grub screw M3x8   |
| A36   | 19736   | Plastic Washer 5,3x3,1x1  | C25   | 11062    | M5 secondstage std  |
| A37   | 19715   | Socket head cap screw M3x5  | C26   | 2500     | Grub screw M3x6   |
| A38   | 14500   | Socket head cap screw M5x16   | C27   | 19613    | Triggermount Impact   |
| B1    | 19618-1 | Recoilpad Impact Solid  | C28   | 11525    | Trigger wheel   |
| B2    | 19728   | Adjustment Screw Recoilpad Impact   | C29   | 2504     | Countersunk M3x6  |
| B3    | 19646   | Left plate impact   | C30   | 2500     | Grub screw M3x6   |
| B4    | 19645   | Right plate impact  | C31   | 19637    | Triggerbase Impact  |
| B5    | 12610   | Socket head cap screw M3x8  | C32   | 19136    | Adjustable triggerblade   |
| B6    | 19606   | Magazine holder Impact  | C33   | 19109    | O-ring 4x1,5 NBR 70   |
| B7    | 5110    | Rubberball 4,75 NBR 70  | C34   | 19696-1  | Regulator rod, <i>until April 2017</i>                                      |
| B8    | 19620   | Pellet probe Impact .22   | C34   | 19696    | Regulator rod, <i>from April 2017</i>                                       |
| B9    | 19748   | Grub screw M3x7, <i>until ser.no. 191084</i>                                      | C35   | 19109    | O-ring 4x1,5 NBR 70   |
| B9    | 19643   | Grub screw, Pellet probe, M4, <i>from serial no.191084</i>                        | C36   | 19697    | Regulator housing, <i>until serial no. 183534 (small regulator housing)</i> |
| B10   | 19614   | Pellet probe holder, <i>revision 4, until serial No. 191084, (use with 19748)</i> | C36   | 19697-1  | Regulator housing, <i>from ser.no. 183534</i>                               |
| B10   | 19614   | Pellet probe holder, <i>revision 5, from serial no. 191084, (use with 19643)</i>  | C37   | 19695    | Regulator screw   |
| B11   | 19601   | CPK 2h6x6   | C38   | 19731    | O-ring 2x1 NBR 90   |
| B12   | 19612   | Pellet probe guide  | C39   | 19763    | O-ring 9x1,5 NBR 90, <i>until serial no. 183534</i>                         |
| B13   | 2505    | Countersunk screw m4x10   | C39   | 19790    | O-ring 10x1,5 NBR90, <i>from ser.no. 183534</i>                             |
| B14   | 19642   | Guiding Plate Impact  | C40   | 19040    | CPK 2m6x24  |
| B15   | 2527    | MC6S M3x10  | C41   | 4528     | O-ring 7,66x1,78 NBR 70 <i>until ser. no. 183534</i>                        |
| B16   | N/A     | -   | C41   | 19225    | O-ring 7,5x2 NBR70, <i>from ser.no. 183534</i>                              |
| B17   | 19779   | Cheek piece for Impact (January 2019)   | C42   | 19735    | Spring 0,75x5x175   |
| B18   | 11506   | Socket head cap screw M3x30   | D1    | 19644    | Rail Picatinny x3 Impact Black  |
| B19   | 19667   | Reloading Bar   | D1    | 19639    | Picatinny Rail x3 Impact Silver   |
| B20   | 19846   | Grub screw M6x6   | D2    | 19684    | Socket head cap screw M5x8  |
| B21   | 19698R  | Rear block Impact   | D3    | 2554     | Socket head cap screw M3x25   |