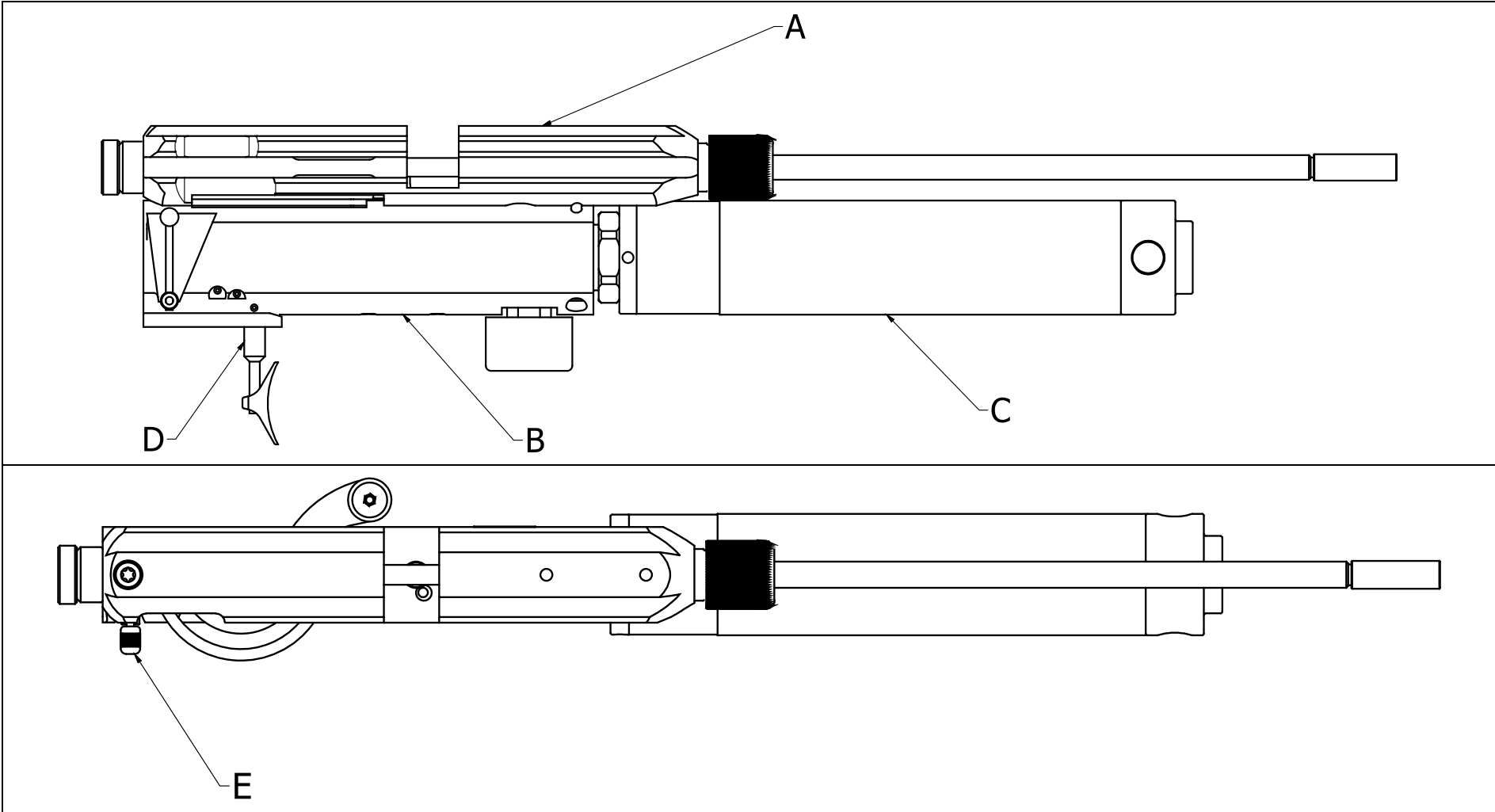
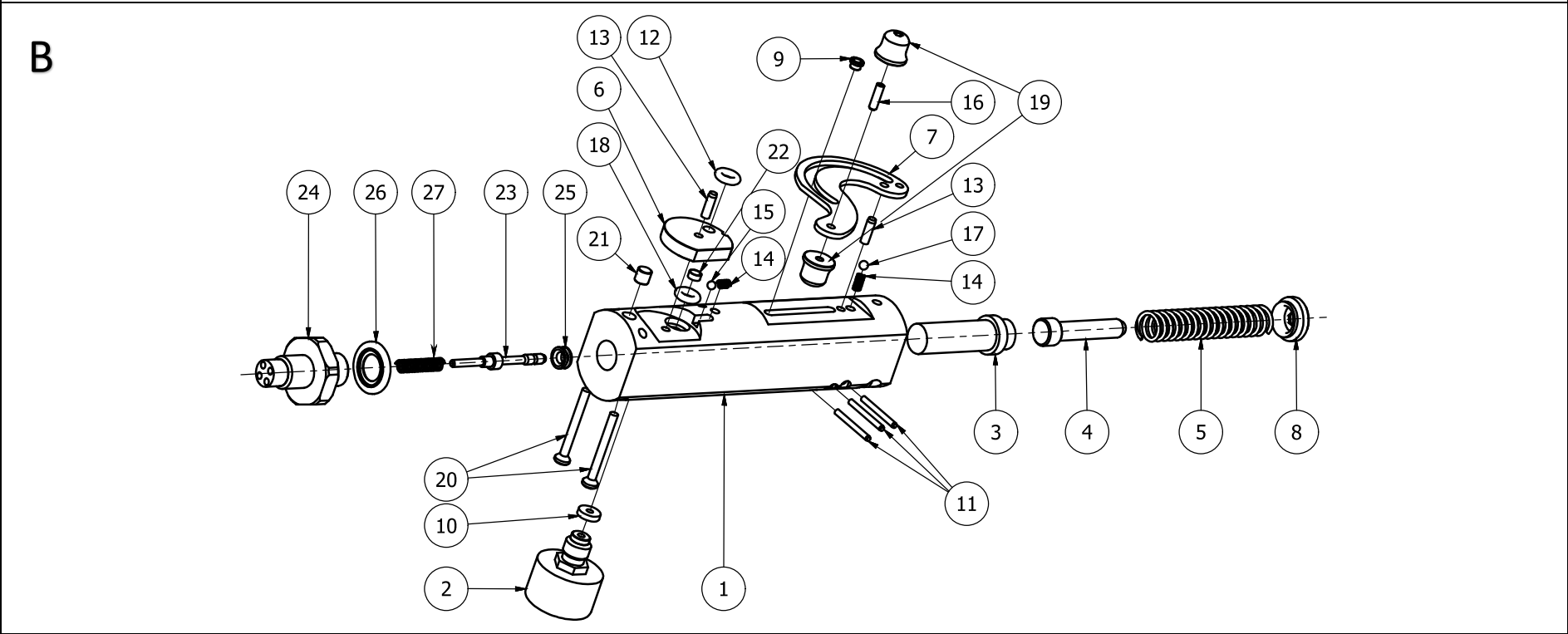
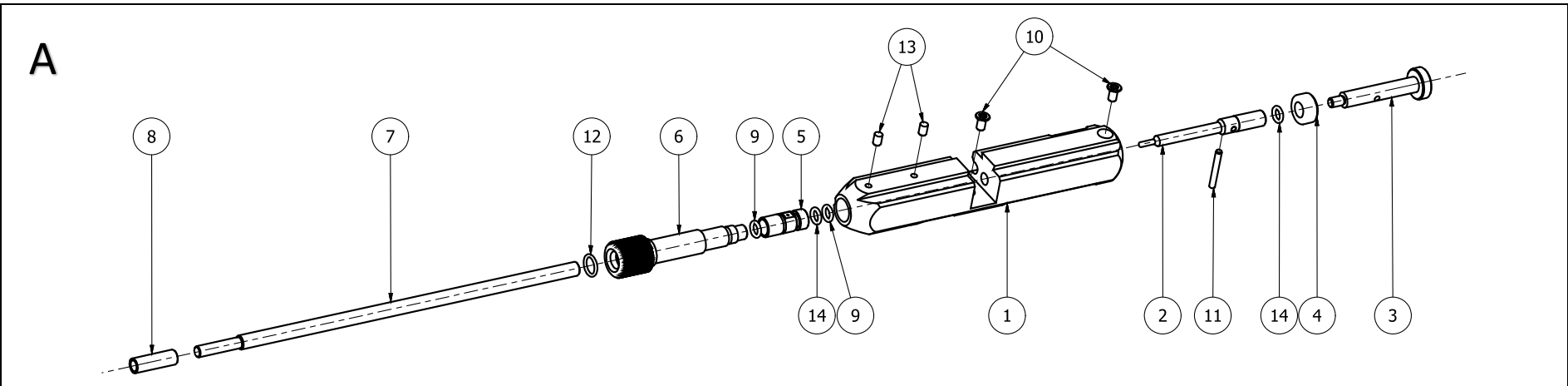


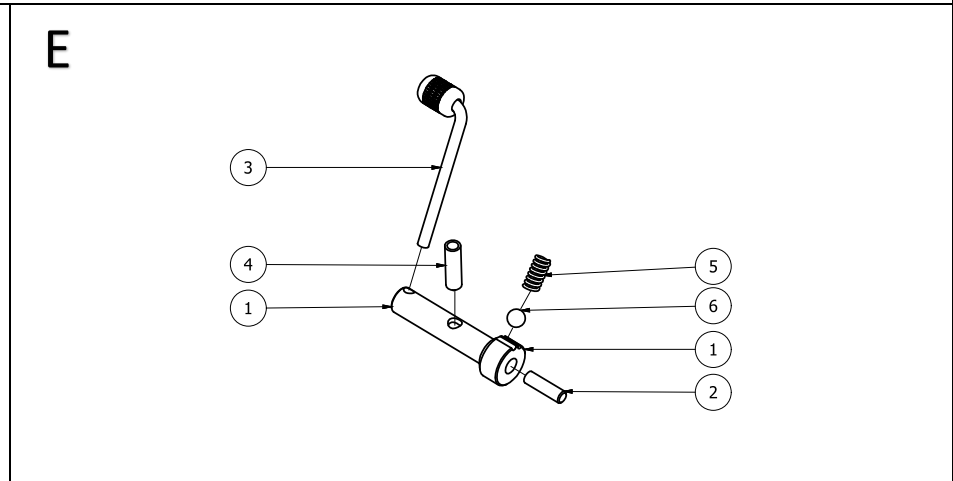
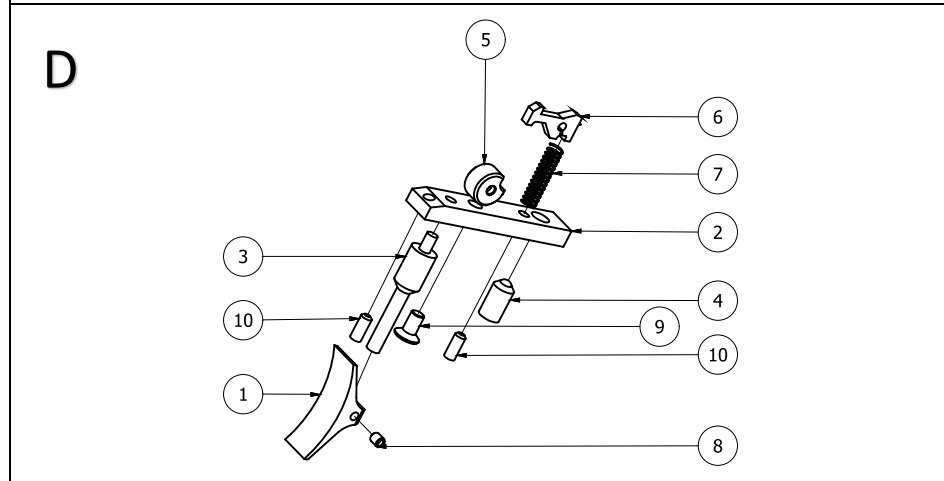
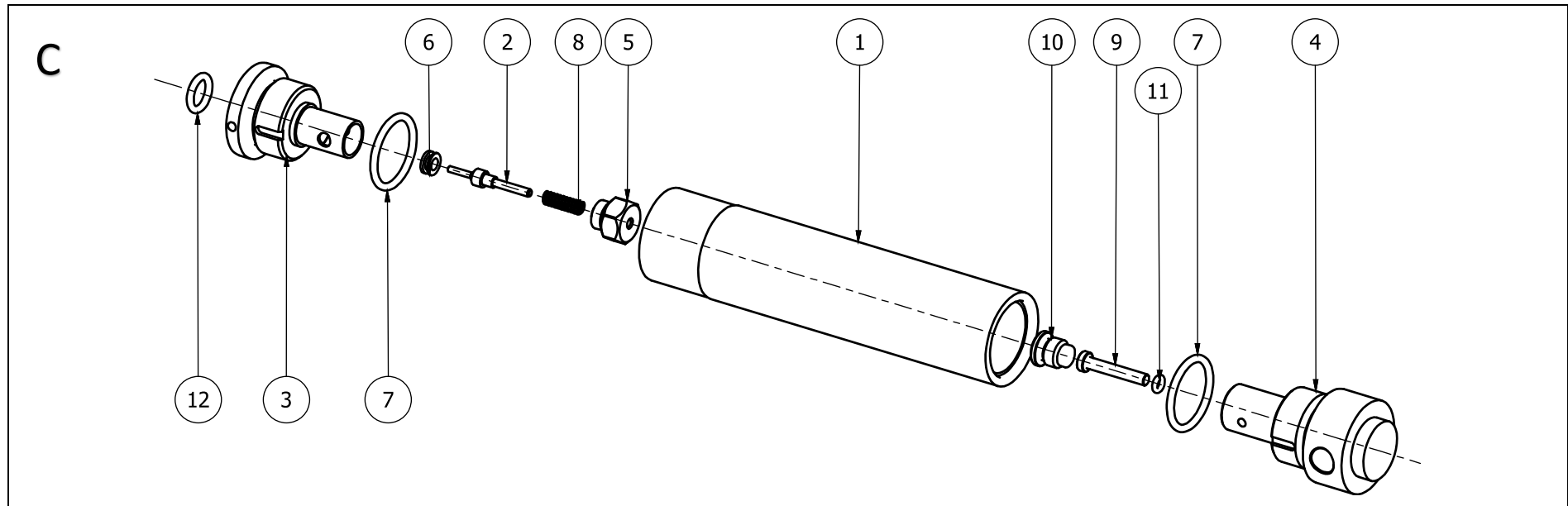
| Model          | Other model names | Date       | Revision | Revision date |
|----------------|-------------------|------------|----------|---------------|
| Ranchero Arrow |                   | 2019-05-14 | EN.21.1  | 2021-05-12    |



| Model          | Other model names | Date       | Revision | Revision date |
|----------------|-------------------|------------|----------|---------------|
| Ranchero Arrow |                   | 2019-05-14 | EN.21.1  | 2021-05-12    |



| Model          | Other model names | Date       | Revision | Revision date |
|----------------|-------------------|------------|----------|---------------|
| Ranchero Arrow |                   | 2019-05-14 | EN.21.1  | 2021-05-12    |



| Model          | Other model names | Date       | Revision | Revision date |
|----------------|-------------------|------------|----------|---------------|
| Ranchero Arrow |                   | 2019-05-14 | EN.21.1  | 2021-05-12    |

| NO  | ART. NO | DESCRIPTION                            | NO  | ART. NO | DESCRIPTION                                    |
|-----|---------|--|-----|---------|--|
| A1  | 13020R  | Main Block Ranchero Arrow              | B25 | 7044    | Valve Seat Complete                            |
| A2  | 11025   | Pellet Probe .22                       | B26 | 11507   | Rubber/Steel Washer                            |
| A3  | 11012   | Thumb Return Screw                     | B27 | 11627   | Spring 0,6 x 4 x 20                            |
| A4  |         | Distance Washer Thumb Screw            |     |         |  |
| A5  | 19152   | Bushing For Arrowbarrel                | C1  | 12053   | Air Cylinder 140mm                             |
| A6  | 19153   | Mount For Arrowbarrel                  | C2  | 7018    | Valve pin for Air tube, Complete               |
| A7  | 13033   | Arrowbarrel Ranchero                   | C3  | 11035   | Air Cylinder End (Brass)                       |
| A8  | 13036   | Barrel sleeve .22 Arrowbarrel Ranchero | C4  | 11029   | Air Cylinder End Inlet                         |
| A9  | 5108    | O-ring 5,28 x 1,78 NBR 70              | C5  | 11013   | Valve Pin Nut                                  |
| A10 | 11511   | Countersunk screw M4x8 (Torx)          | C6  | 7044    | Valve Seat Complete                            |
| A11 | 11514   | Cylindrical Pin 3m6x22                 | C7  | 11624   | O-ring 22 x 2,5 NBR 70                         |
| A12 | 19711   | O-ring 8,5 x 1,5 NBR 70                | C8  | 2525    | Spring 0,6 x 4 x 15                            |
| A13 | 2501    | Cup point grub screw M4x6              | C9  | 11615   | High Performance Inlet Valve                   |
| A14 | 5108    | O-ring 5,28 x 1,78 PUR 70              | C10 | 19035   | Plug 1/8"                                      |
|     |         |  | C11 | 5107    | O-ring 2,9 x 1,78 PUR 90                       |
| B1  | 11044   | Main Body                              | C12 | 5105    | O-ring 9,3 x 2,4 NBR 90                        |
| B2  | 11505   | Pressure Gauge 25mm 1/8"               |     |         |  |
| B3  | 11023   | Hammer                                 | D1  | 19136   | Adjustable Trigger Blade                       |
| B4  | 11540   | Hammer Weight                          | D2  | 11524   | Trigger Base                                   |
| B5  | 11500   | Hammer Spring                          | D3  | 19150   | Trigger Shoe Mount Short                       |
| B6  | 11642   | Power Adjuster 1 Hole                  | D4  | 11015   | Second stage trigger screw M5                  |
| B7  | 11033   | Sidelever                              | D5  | 11525   | Trigger Wheel                                  |
| B8  | 11541   | Hammer spring adjuster                 | D6  | 11031   | Trigger Sear                                   |
| B9  | 12028   | Sidelever Bearing                      | D7  | 11504   | Spring 0,32 x 3,2 x 14,4                       |
| B10 | 5005    | Plastic Washer 2mm 1/8"                | D8  | 12035   | Grub Screw M2,5 x 2,5                          |
| B11 | 11502   | Cylindrical Pin 2h6x20                 | D9  | 2504    | Countersunk Screw M3x6                         |
| B12 | 11623   | O-ring 4,42 x 2,62 NBR 90              | D10 | 2500    | Grub Screw M3x6                                |
| B13 | 11509   | Cylindrical Pin 3h6x10                 |     |         |  |
| B14 | 11503   | Spring 0,5 x 2,5 x 4,4                 | E1  | 11027   | Safety Pivot                                   |
| B15 | 4066    | Steel Ball 3mm                         | E2  | 11633   | Grub Screw M2,5 x 8                            |
| B16 | 11508   | Grub Screw M3x10                       | E3  | 11625   | Safety lever 27,5mm Cyclone, Cutlas, Ranchero. |
| B17 | 11547   | Steel Ball 3.5mm                       | E4  | 11508   | Grub Screw M3 x 10                             |
| B18 | 1504    | O-ring 4,42 x 2,62 NBR 70              | E5  | 11501   | Spring 0,5 x 2,5 x 6,1                         |
| B19 | 11063   | Cocking Bolt                           | E6  | 11527   | Steel Ball 3,175                               |
| B20 | 11506   | Socket Head Cap Screw M3x30            |     |         |  |
| B21 | 11626   | Spacer 4,8                             |     |         |  |
| B22 | 11536   | Air Transfer Port - High Flow          |     |         |  |
| B23 | 7035    | Valve Pin Complete V2                  |     |         |  |
| B24 | 11032   | Air Cylinder Connector                 |     |         |  |