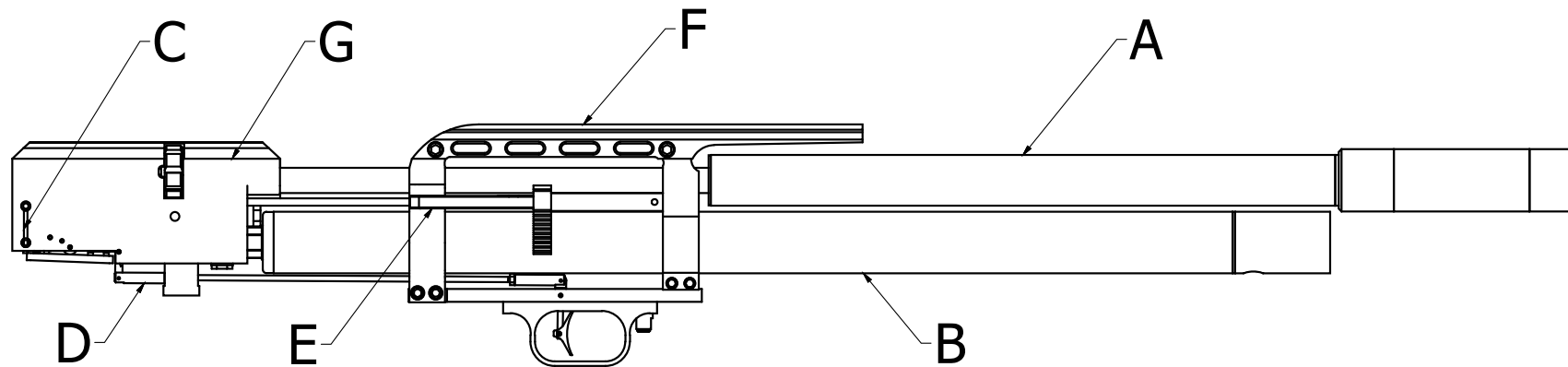
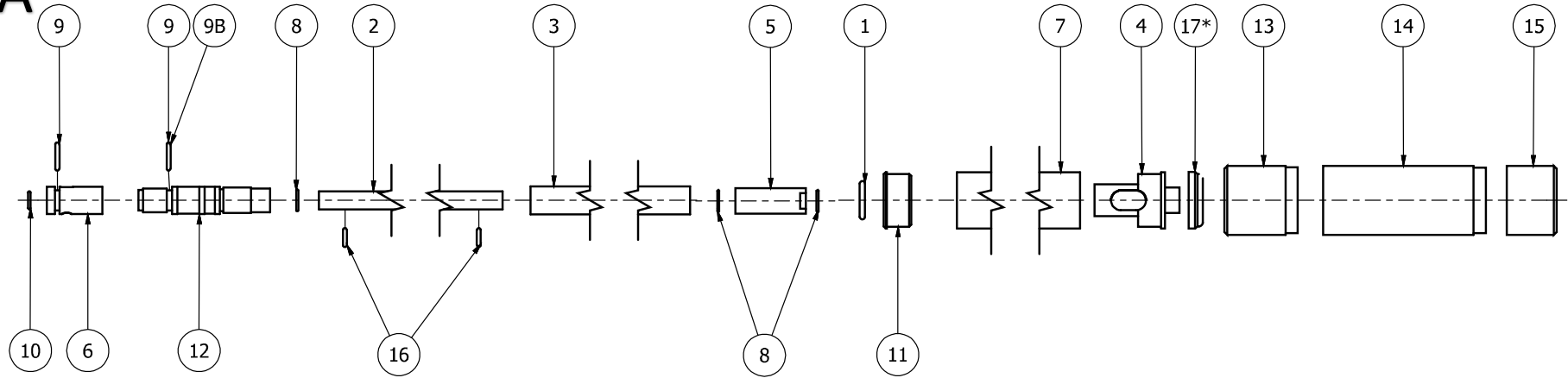


Model	Other model names	Date	Revision	Revision date
FX Wildcat MKII		2019-11-26	EN.21.01	2021-05-12



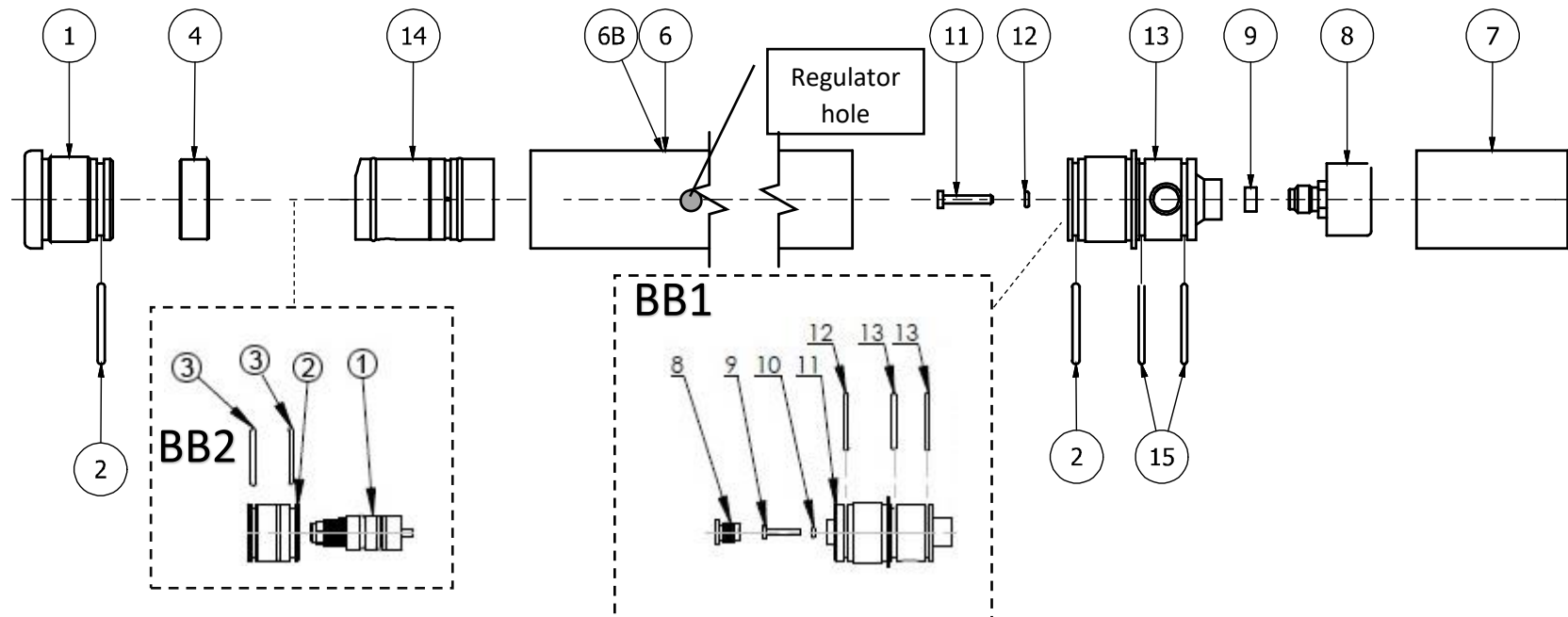
Model	Other model names	Date	Revision	Revision date
FX Wildcat MKII		2019-11-26	EN.21.01	2021-05-12

A



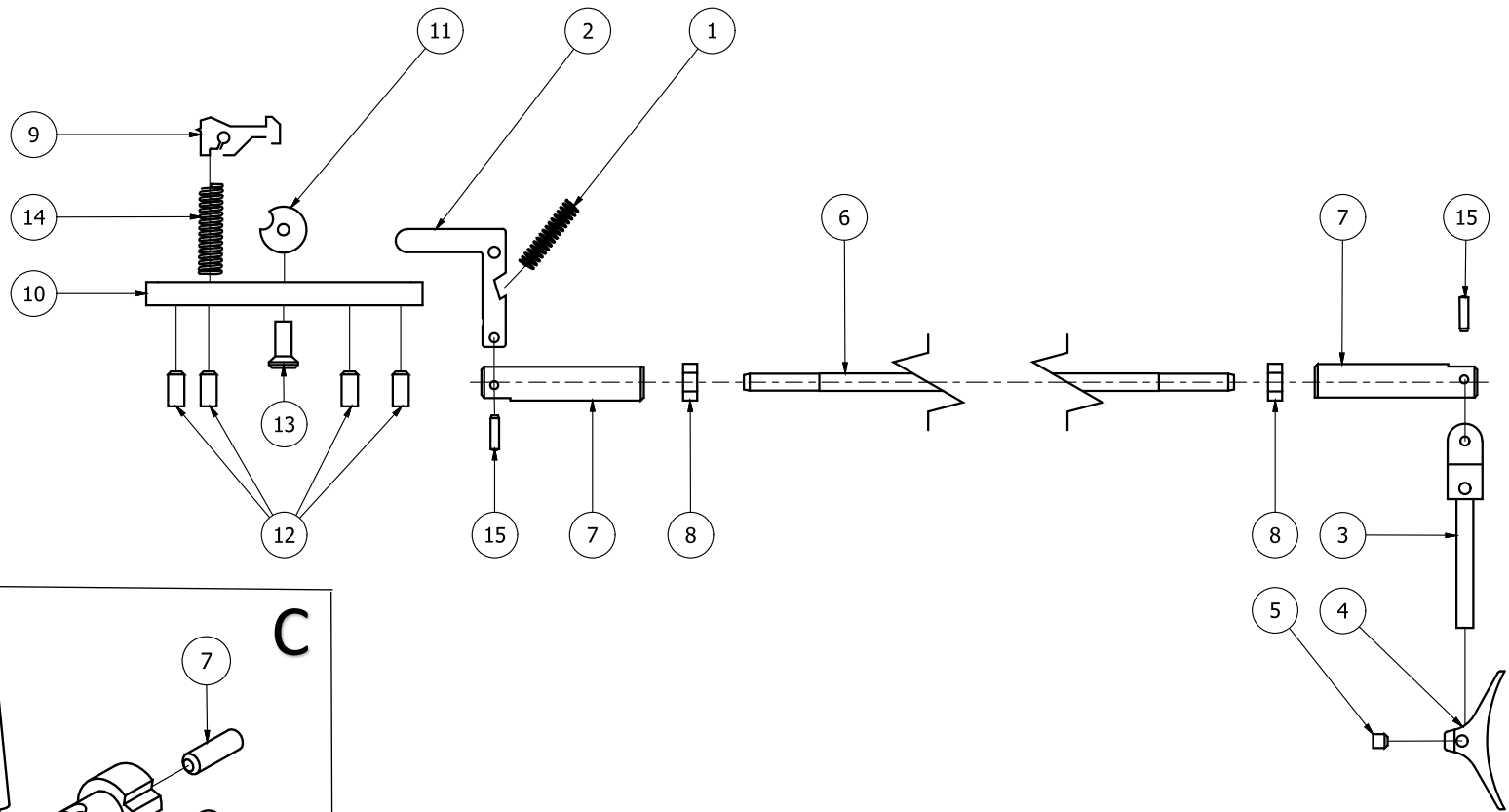
* = Only on 10J, CAN and AUS models

B

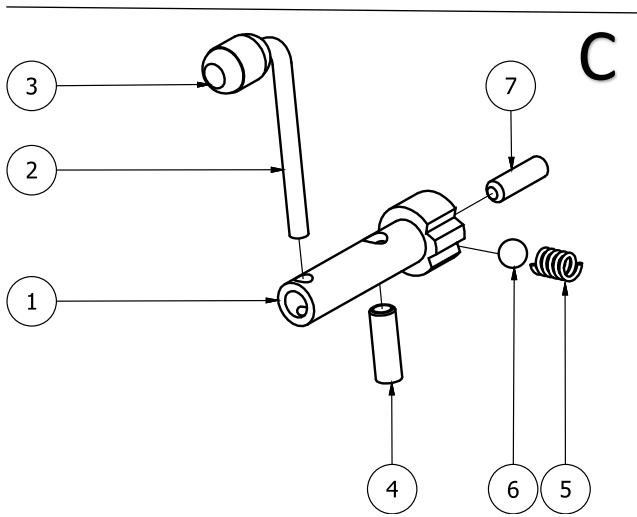


Model	Other model names	Date	Revision	Revision date
FX Wildcat MKII		2019-11-26	EN.21.01	2021-05-12

D

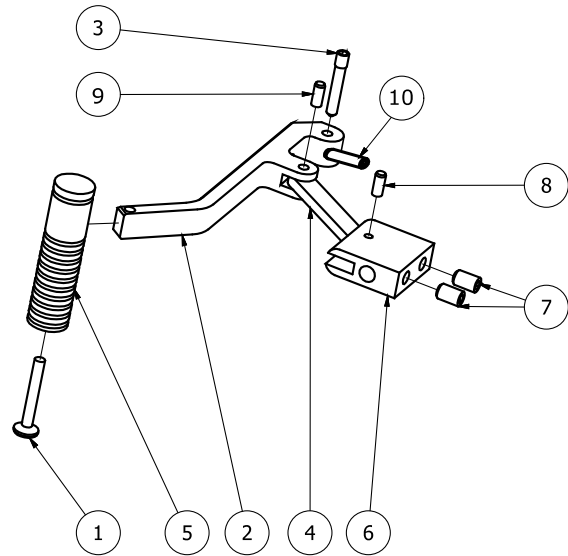


C

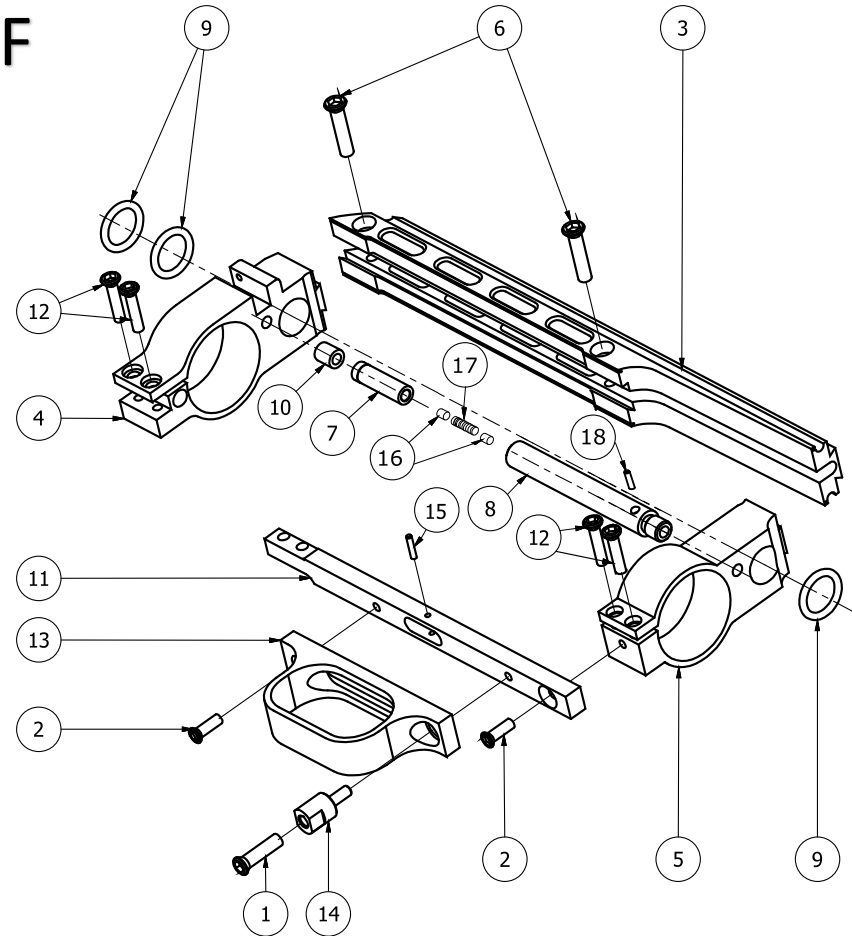


Model	Other model names	Date	Revision	Revision date
FX Wildcat MKII		2019-11-26	EN.21.01	2021-05-12

E

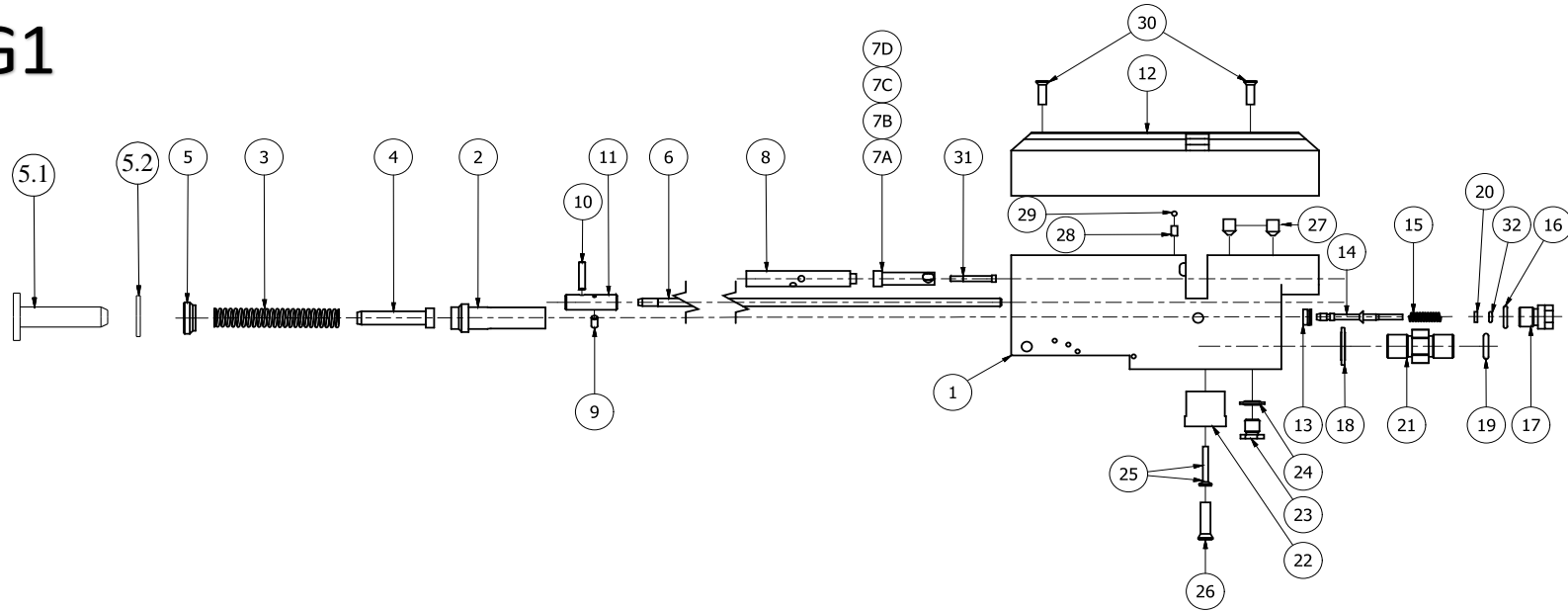


F

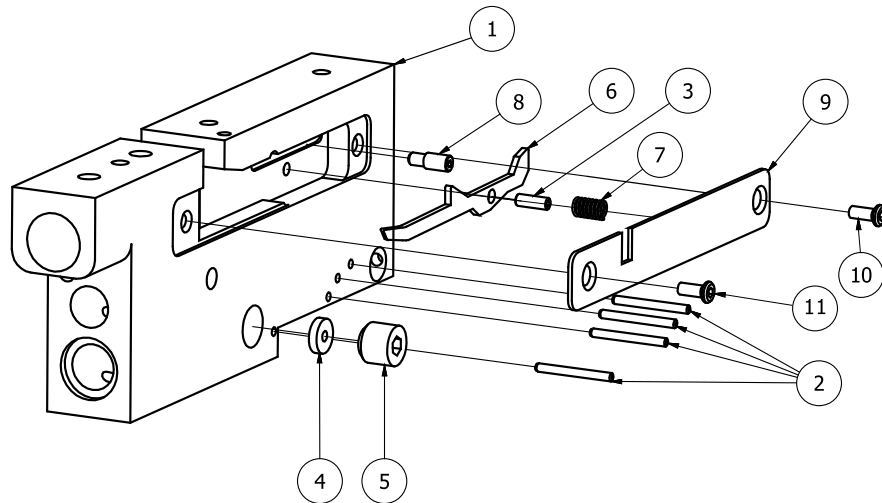


Model	Other model names	Date	Revision	Revision date
FX Wildcat MKII		2019-11-26	EN.21.01	2021-05-12

G1



G2



Model	Other model names	Date	Revision	Revision date
FX Wildcat MKII		2019-11-26	EN.21.01	2021-05-12

NO	ART. NO	DESCRIPTION	NO	ART. NO	DESCRIPTION	NO	ART. NO	DESCRIPTION
A-Barrel .177			A5	19970	Liner Lock .25	B9	5005	Plastic Washer 2mm 1/8"
A1	12045	O-ring 13,95x2,62 NBR 70	A6	19591	Barrel inlet .25 Wildcat MKII	B10		N/A
A2	19964	STX Liner .177 500mm Pellet A	A7	19099	Shroud 345mm R5	B11	11511	Countersunk screw M4x8 (Torx)
A3	19973	Barrel House 14x1x435mm	A8	19954	O-ring 9 x 1 NBR 70	B12	19109	O-ring 4x1,5 NBR 70
A4	19794	Compensator fixed .177-.22 UNF1/2"	A9	19703	O-ring 10 x 2 NBR 70	B13	19542	Front Tube End Preassure Gauge
A5	19968	Liner Lock .177	A10	2575	O-ring 6,35 x 1,27 NBR 70	B14	20199	Regulator Complete
A6	19589	Barrel inlet 4,5 Wildcat MKII	A11	19588	Shroud Start Wildcat MKII	B15	19484	O-ring 24 x 2 NBR70
A7	19573	Shroud 230mm Wildcat US .22	A12	19962	Barrel Attchment .25			
A8	19837	O-ring 7 x 1 NBR 70	A13	19997	Shroud Start 35mm UNF 1/2"	BB1 – until January 2019		
A9	19703	O-ring 10 x 2 NBR 70	A14	19680	Shroud Mid Part 35mm UNF 1/2"	BB1-8	19530	Plug 1/8" Gold BC Wildcat
A10	2529	O-ring 4,3 x 1,5 NBR 70	A15	19663	Shroud endcap .25 35mm	BB1-9	19329	Inlet valve rod "gold"
A11	19588	Shroud Start Wildcat MKII	A16	19953	O-ring 5,5 x 2 NBR 70	BB1-10	5111	O-ring 2,5 x 1,5 NBR 90
A12	19960	Barrel Attachment .177				BB1-11	19542	Front tube end pressure gauge
A13	19997	Shroud Start 35mm UNF 1/2"	A-Barrel .30			BB1-12	19485	O-ring 23,0x2,5 NBR 70
A14	19680	Shroud mid part 35mm	A1	12045	O-ring 13,95x2,62 NBR 70	BB1-13	19484	O-ring 24x2 NBR 70
A15	19663	Shroud endcap .25 35mm	A2	19967	STX Liner .30 600mm Pellet A			
A16	19958	O-ring 6,02 x 2,62 NBR 70	A3	19972	Barrel House 550mm	If the hole on the AirTube is smaller than 4mm then you do not have an adjustable regulator. Please pick the parts from BB2 and not B14.		
			A4	19999	Compensator fixed .30 UNF1/2"			
A-Barrel .22			A5	19971	Liner Lock .30	BB2 – 1, .22, .25	19043-140	Regulator "Red" 140 Bar
A1	12045	O-ring 13,95x2,62 NBR 70	A6	19593	Barrel inlet .30 Wildcat MKII	BB2 – 1, .177	19043-115	Regulator "copper" 115 bar
A2	19965	STX Liner .22 500mm Pellet A	A7	19099	Shroud 345mm R5	BB2 – 1, 12ft/p .177	19043-65	Regulator "Black" 65 Bar
A3	19973	Barrel House 14x1x435mm	A8	19145	O-ring 10 x 1 NBR 70	BB2 – 1, 12ft/p 10J	19043-55	Regulator "Silver" 55 Bar
A4	19794	Compensator fixed .177-.22 UNF1/2"	A9	19703	O-ring 10 x 2 NBR 70	BB2 – 2	19512	Regulator seat
A5	19969	Liner lock .22 Crown	A9B	19210	O-ring 11 x 1,5 NBR 70	BB2 - 3	19497	O-ring 23,3x2,4 NBR 70
A6	19590	Barrel inlet .22 Wildcat MKII	A10	19209	O-ring 7,5 x 1,5 NBR 70			
A7	19573	Shroud 230mm Wildcat US .22	A11	19588	Shroud Start Wildcat MKII	C1	19513	Safety Pivot
A8	19117	O-ring 8 x 1 NBR 70	A12	19963	Barrel Attchment .30	C2	19584	Safety Lever
A9	19703	O-ring 10 x 2 NBR 70	A13	19997	Shroud Start 35mm UNF 1/2"	C3	11200	Safety Knob
A10	19726	O-ring 5,5 x 1,5 NBR 70	A14	19680	Shroud Mid Part 35mm UNF 1/2"	C4	19742	Grub Screw M3x8
A11	19588	Shroud Start Wildcat MKII	A15	19664	Shroud endcap .30 35mm	C5	11503	Spring 0,5 x 2,5 x 4,4
A12	19961	Barrel Attachment .22	A16	5125	O-ring 6,5 x 1,5 NBR 70	C6	4066	Steel Ball 3.0
A13	19997	Shroud Start 35mm UNF 1/2"				C7	11633	Grub Screw M2,5 x 8
A14	19680	Shroud Mid Part 35mm UNF 1/2"	B1	19543	Rear Tube End Wildcat	D1	19498	Spring 0,2 x 2,5 x 13,1
A15	19663	Shroud endcap .25 35mm	B2	19485	O-ring 23 x 2,5 NBR 70	D2	19527	Wildcat L Triggerpart
A16	19952	O-ring 5,23 x 2,62 NBR 70	B3		N/A	D3	19506	Trigger Mount
			B4	19514	Regulator Spacer	D4	19136	Adjustable Trigger Blade
A-Barrel .25			B5		N/A	D5	12035	Grub Screw M2,5x2,5
A1	12045	O-ring 13,95x2,62 NBR 70	B6	19556	Tube 34x570	D6	19518	Trigger pin Wildcat
A2	19966	STX Liner .25 600mm Pellet A	B6B	19555	Tube 34x410	D7	19574	Metal Clevis M3 Wildcat
A3	19972	Barrel House 550mm	B7	19544	Dust Cover Wildcat	D8	19482	Nut M3
A4	19998	Compensator fixed .25 UNF1/2"	B8	11505	Pressure gauge 25mm 1/8"	D9	19177	Trigger Sear v7,8,12

