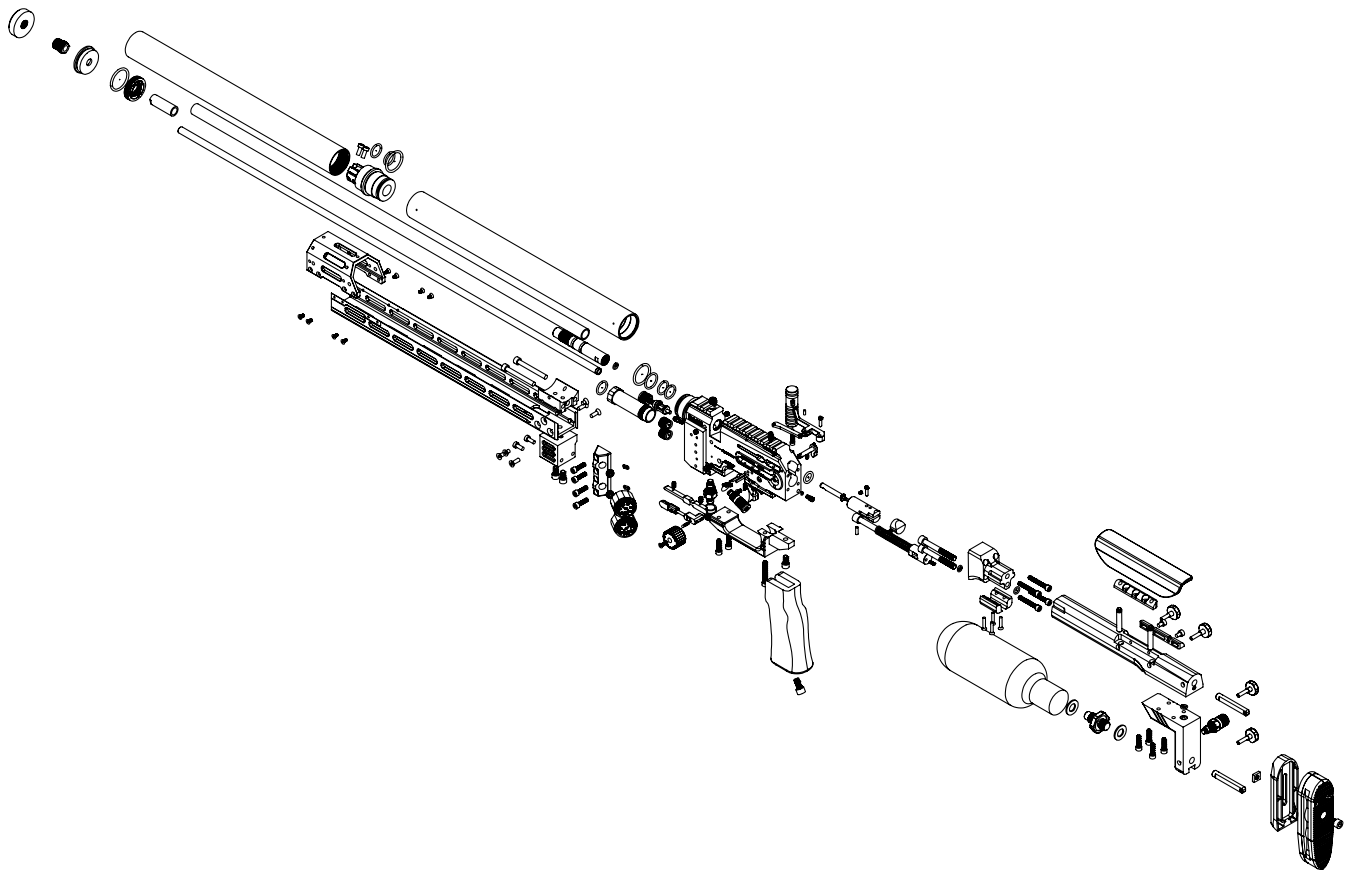
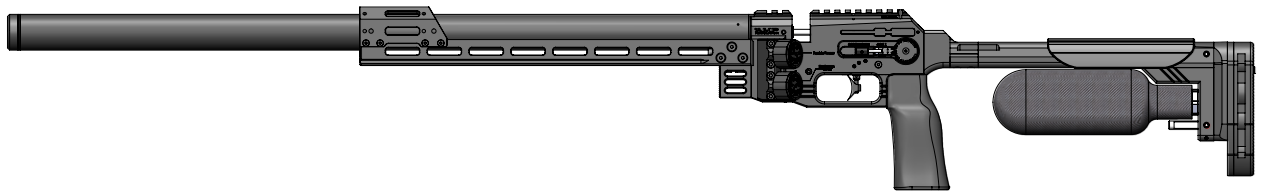
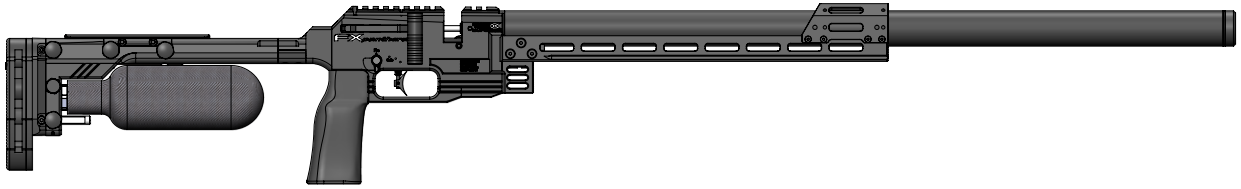


| Model | Other model names | Date | Revision | Revision date |
|-------------|-------------------|------------|----------|---------------|
| FX Panthera | | 2023-02-02 | EN.23.01 | |

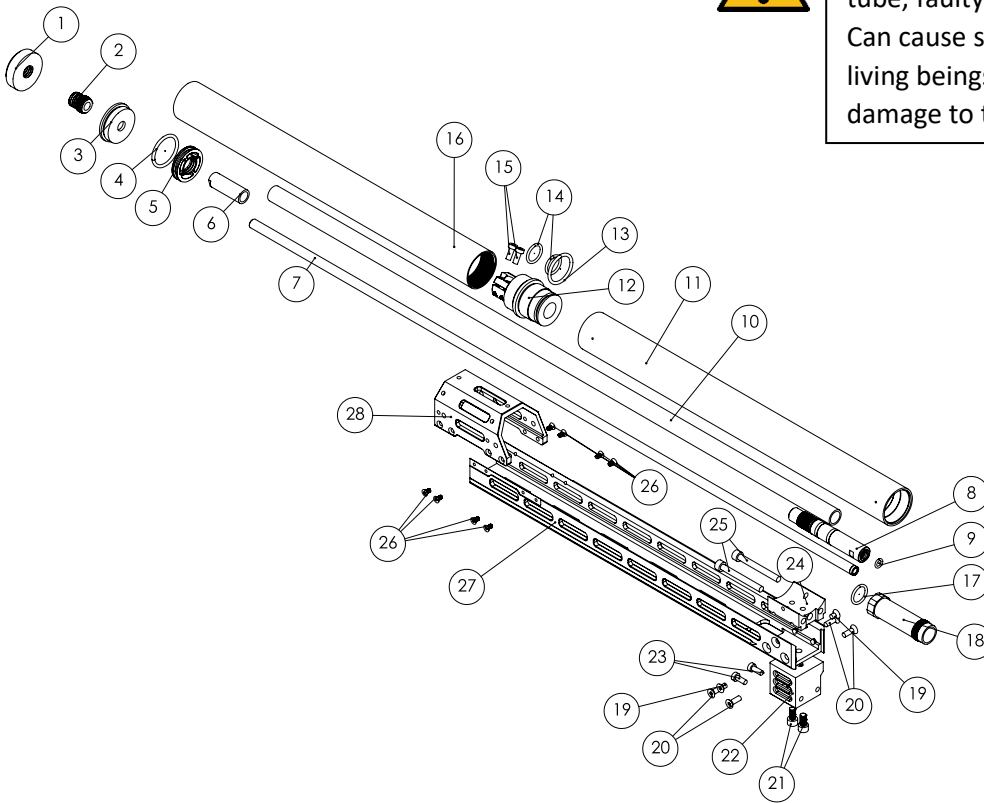


| Model | Other model names | Date | Revision | Revision date |
|-------------|-------------------|------------|----------|---------------|
| FX Panthera | | 2023-02-02 | EN.23.01 | |

A



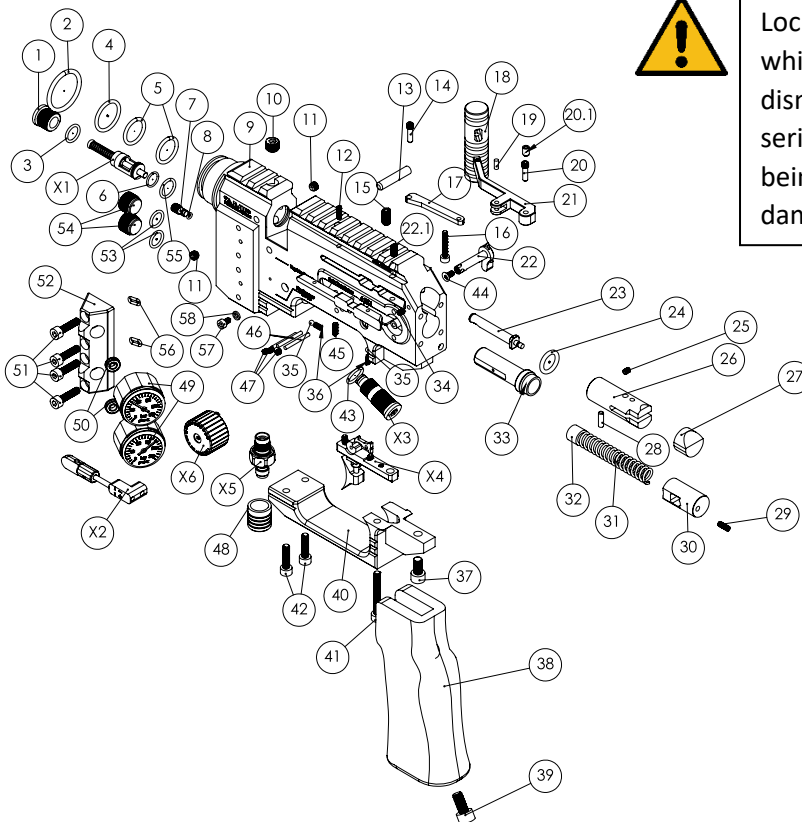
Barrel system A1-A18 runs thru a pressurized tube, faulty dismantling or faulty re-assembly Can cause serious injury to yourself and other living beings in the proximity. Can cause serious damage to the gun and property close by.



B

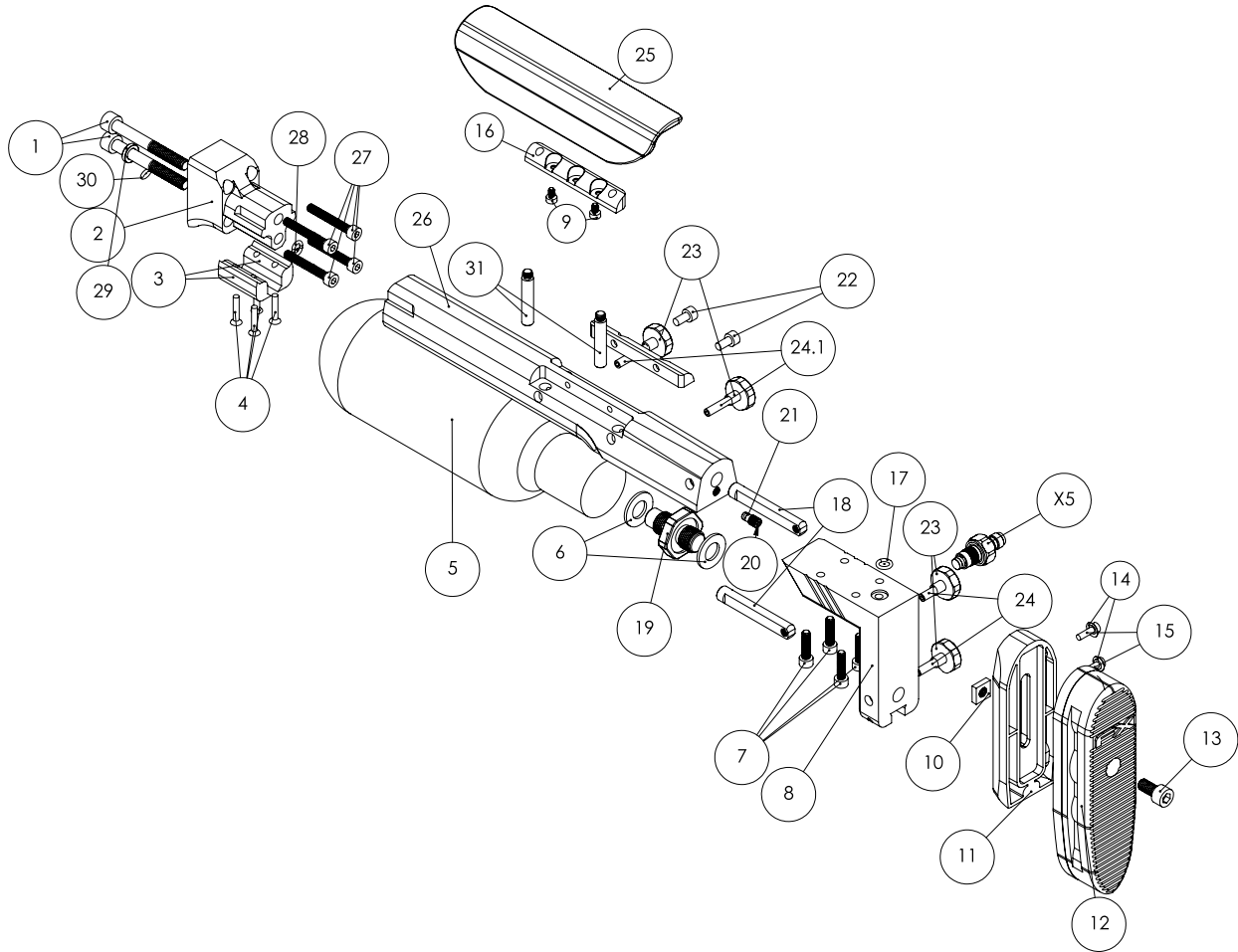


Locking screw A11 holds the barrel system which runs thru a pressurized tube, faulty dismantling or faulty re-assembly Can cause serious injury to yourself and other living beings in the proximity. Can cause serious damage to the gun and property close by.



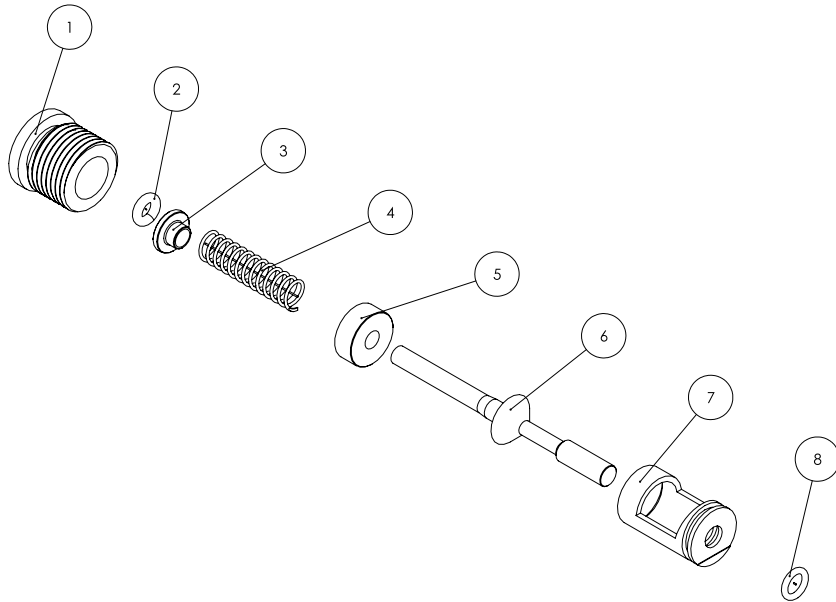
| Model | Other model names | Date | Revision | Revision date |
|-------------|-------------------|------------|----------|---------------|
| FX Panthera | | 2023-02-02 | EN.23.01 | |

C

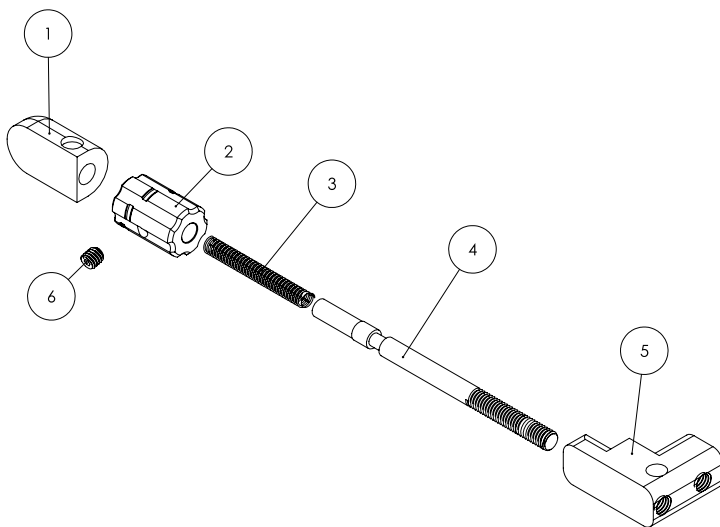


| Model | Other model names | Date | Revision | Revision date |
|-------------|-------------------|------------|----------|---------------|
| FX Panthera | | 2023-02-02 | EN.23.01 | |

X1

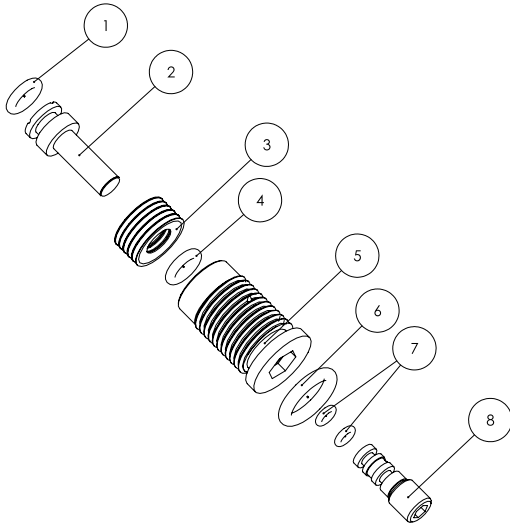


X2

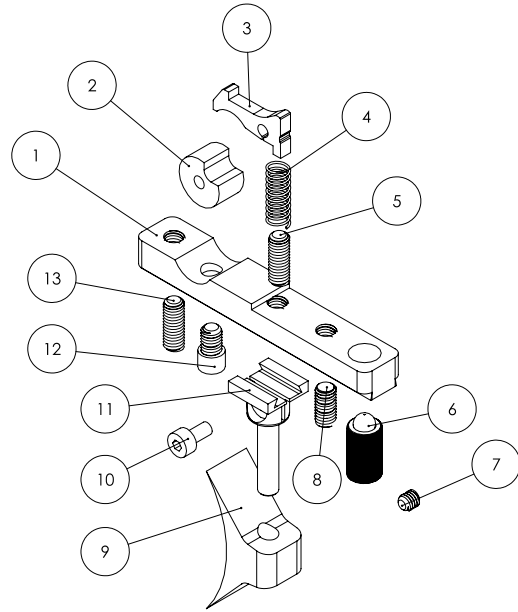


| Model | Other model names | Date | Revision | Revision date |
|-------------|-------------------|------------|----------|---------------|
| FX Panthera | | 2023-02-02 | EN.23.01 | |

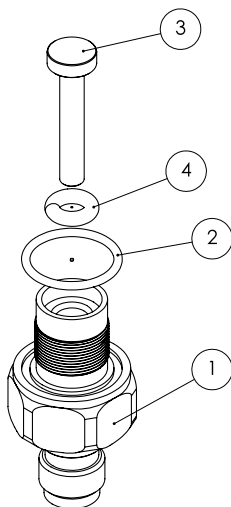
X3



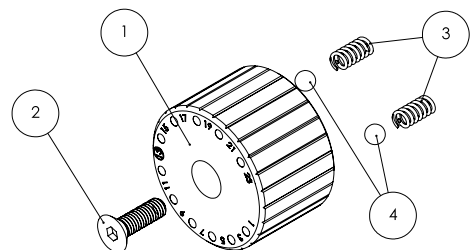
X4



X5



X6



| Model | Other model names | Date | Revision | Revision date |
|-------------|-------------------|------------|----------|---------------|
| FX Panthera | | 2023-02-02 | EN.23.01 | |

| NO | ART. NO | DESCRIPTION | NO | ART. NO | DESCRIPTION |
|--------------|--------------|--------------------------------------|----------|--------------|-------------------------------|
| A1 | 20945 | Muzzle-Thread Cover | B18 | 10301 | Side lever handle |
| | | | B19 | 19026 | Cylindrical pin 2,5m6x6 |
| A2 .177, .22 | 10332-22 | Muzzle thread insert .177, .22 | B20.1 | 2501 | Cup point grub screw M4x6 |
| A2 .25 | 10332-25 | Muzzle thread insert .25 | B21 | 20914 | Sidelever Dynamic |
| A2 .30 | 10332-30 | Muzzle thread insert .30 | B22 | 19610 | Safety |
| | | | B22.1 | 12033 | Grub screw M4x8 |
| A3 | 20944 | Shroud Muzzle Cap Dynamic | B23 .177 | 20918 | Pellet probe .177 Dynamic |
| A4 | 19105 | O-ring 25x2,5 NBR70 | B23 .22 | 20919 | Pellet probe .22 Dynamic |
| A5 | 20943 | Shroud Bushing with airvents Dynamic | B23 .25 | 20920 | Pellet probe .25 Dynamic |
| A6 | Support page | See schematic | B23 .30 | 20921 | Pellet probe .30 Dynamic |
| A7 | Support page | See schematic | | | |
| A8 .177 | 20928 | Barrel inlet .177 Dynamic | B24 | 5159 | O-ring 10,6x2,4 NBR70 |
| A8 .22 | 20929 | Barrel inlet .22 Dynamic | B25 | 16092 | Grub screw M3x4 |
| A8 .25 | 20930 | Barrel inlet .25 Dynamic | B26 | 20916 | Carrier Dynamic |
| A8 .30 | 20931 | Barrel inlet .30 Dynamic | B27 | 20913 | Reloading Protection |
| | | | B28 | 11509 | Cylindrical pin 3h6x10 |
| A9 .177 | 5114 | O-ring 4,3x1,5 NBR70 | B29 | 19742 | Grub screw M3x8 |
| A9 .22 | 19726 | O-ring 5,5x1,5 NBR70 | B30 | 20951 | Spring Guide Dynamic |
| A9 .25 | 2575 | O-ring 6,35x1,27 NBR70 | B31 | 2604 | Hammerspring 52mm |
| A9 .30 | 19209 | O-ring 7,5x1,5 NBR70 | B32 | 11540 | Hammer Weight |
| | | | B33 | 19039 | Hammer V7 |
| A10 | Support page | See schematic | B34 | 19109 | O-ring 4,0x1,5 NBR70 |
| A11 | Support page | See schematic | B35 | 4066 | Steel ball 3mm |
| A12 | 20938 | Valvetube End, Plenum PRS | B36 | 11501 | Spring 0,5x2,5x6,1 |
| A13 | 19485 | O-ring 23,0x2,5 NBR70 | B37 | 5173 | Socket head cap screw M5x10 |
| A14 | 19950 | O-ring 14x2 NBR70 | B38 | 20911 | AR 15 Grip |
| A15 | 19480 | Socket head cap screw M4x10 | B39 | 5170 | Socket head cap screw M6x12 |
| A16 | Support page | See schematic | B40 | 20912 | Trigger Guard Dynamic |
| A17 | 19950 | O-ring 14x2 NBR70 | B41 | 2536 | Socket head cap screw M4x30 |
| A18 | 20933 | Barrelsupport Dynamic | B42 | 5201 | Socket head cap screw M4x16 |
| A19 | 5208 | Countersunk screw M4x6 | B43 | 19790 | O-ring 10,0x1,5 NBR90 |
| A20 | 5225 | Countersunk screw M4x12 | B44 | 2504 | Countersunk screw M3x6 |
| A21 | 5173 | Socket head cap screw M5x10 | B45 | 19742 | Grub screw M3x8 |
| A22 | 20934 | Barricade Stop Dynamic | B46 | 11502 | Cylindrical pin 2h6x20 |
| A23 | 19480 | Socket head cap screw M4x10 | B47 | 2562 | Grub screw M3x3 |
| A24 | 20988 | Support Block Dynamic | B48 | 19910 | Dust cover – Quick connection |
| A25 | 2512 | Socket head cap screw M5x55 | B49 | 19775 | Manometer 28mm with cover |
| A26 | 13039 | Countersunk screw M3x8 | B50 | 19762 | X-ring 3,63x2,62 NBR70 |
| A27 | 20935 | Fore End Stock Dynamic | B51 | 5201 | Socket head cap screw M4x16 |
| A28 | 20942 | Fore End Top Accessory Mount Dynamic | B52 | 20986 | Angled Mount (Dual) Dynamic |
| | | | B53 | 19835 | O-ring 8x2 NBR70 |
| B1 | 20925 | Valve Housing Dynamic | B54 | 20927 | Plugg M12 Dynamic |
| B2 | 19485 | O-ring 23,0x2,5 NBR70 | B55 | 19790 | O-ring 10,0x1,5 NBR90 |
| B3 | 19763 | O-ring 9x1,5 NBR70 | B56 | 19726 | O-ring 5,5x1,5 NBR70 |
| B4 | 5178 | O-ring 16,5x2 NBR90 | B57 | 19715 | Socket head cap screw M3x5 |
| B5 | 19950 | O-ring 14x2 NBR70 | B58 | 19736 | Plastic Washer 5,3x3,1x1 |
| B6 | 19108 | O-ring 8x1 NBR90 | | | |
| B7 | 19694 | Brass adapter Impact | | | |
| B8 | 19761 | O-ring 2,2x1 NBR70 | C1 | 5172 | Socket head cap screw M6x55 |
| B9 | 20999 | Main Block Dynamic | C2 | 20909 | Rear Stock Transition Dynamic |
| B10 | 11532 | Grub screw M8x10 | C3 | 20910 | Transition Cover Dynamic |
| B11 | 19114 | Grub screw M5x6 | C4 | 5171 | Countersunk screw M3x12 |
| B12 | 19742 | Grub screw M3x8 | C5 | Support page | See schematic "Bottle" |
| B13 | 2526 | Grub screw M5x25 | C6 | 11507 | Rubber/Steel Washer |
| B14 | 20946 | Carrier Screw Dynamic | C7 | 5201 | Socket head cap screw M4x16 |
| B15 | 10374 | Second stage trigger screw M5 | C8 | 20902 | Recoilpad L-Mount Dynamic |
| B16 | 11060 | Socket head cap screw M3x22 | C9 | 19715 | Socket head cap screw M3x5 |
| B17 | 20915 | Linkage Dynamic | C10 | 5176 | M6 nut |
| C11 | 20901 | Recoilpad Mount Dynamic | X3-1 | 19109 | O-ring 4x1,5 NBR 70 |

| Model | Other model names | Date | Revision | Revision date |
|-------------|-------------------|------------|----------|---------------|
| FX Panthera | | 2023-02-02 | EN.23.01 | |

| | | | | | |
|-------|-------|----------------------------------|-------|---------|-------------------------------------|
| C12 | 20900 | Recoilpad Dynamic | X3-2 | 19696 | Regulator piston (long) (May 2017>) |
| C13 | 5170 | Socket head cap screw M6x12 | X3-3 | 0198 | Bellwiew washers Crown/Imp FAC |
| C14 | 16123 | Screw M4x12 | X3-4 | 19109 | O-ring 4x1,5 NBR 70 |
| C15 | 2570 | Washer 10x4,2x0,5 | X3-5 | 19697-1 | Regulator house |
| C16 | 20977 | Cheek Piece Mount Dynamic | X3-6 | 19225 | O-ring 7,5x2 NBR70 |
| C17 | 19726 | O-ring 5,5x1,5 NBR70 | X3-7 | 19731 | O-ring 2x1 NBR 90 |
| C18 | 20908 | Recoilpad rod Dynamic | X3-8 | 19695 | Regulator Screw Impact |
| C19 | 20983 | Bottle connector PRS | | | |
| C20 | 19694 | Brass adapter Impact | X4-1 | 19924 | Trigger base Crown |
| C21 | 19761 | O-ring 2,2x1 NBR70 | X4-2 | 11525 | Trigger wheel |
| C22 | 5230 | Socket head cap screw M4x6 | X4-3 | 19934 | Trigger sear Crown |
| C23 | 20948 | Cheek Piece Locking Knob Dynamic | X4-4 | 11504 | Spring 0,32x3,2x14,4 |
| C24 | 5201 | Grubscrew M4x16 | X4-5 | 19742 | Grub screw M3x8 |
| C24.1 | 5174 | Grubscrew M4x20 | X4-6 | 11015 | Second stage trigger screw M5 |
| C25 | 20950 | Cheek Piece Dynamic | X4-7 | 12035 | Grub screw M2.5x2.5 |
| C26 | 20907 | Rear Stock Dynamic | X4-8 | 2500 | Grub screw M3x6 |
| C27 | 2536 | Grub screw M4x30 | X4-9 | 19136 | Adjustable trigger blade |
| C28 | 5125 | O-ring 6,5x1,5 NBR70 | X4-10 | 19178 | Socket head cap screw M2x4 |
| C29 | 20973 | Plastic washer 6x10x2 | X4-11 | 19137 | Triggerpin |
| C30 | 19109 | O-ring 4,0x1,5 NBR70 | X4-12 | 19927 | Screw trigger roll Crown |
| C31 | 20949 | Cheek Piece Bar Dynamic | X4-13 | 19742 | Grub screw M3x8 |
| | | | | | |
| X1-1 | 20925 | Valve holder | X5-1 | 16303 | Quick connector short |
| X1-2 | 5165 | 3,0x1,2 NBR70 | X5-2 | 19720 | O-ring 10x1 NBR90 |
| X1-3 | 20959 | Spring seat | X5-3 | 19005 | Inlet valve rod |
| X1-4 | 19850 | Spring 0,5x4x20 | X5-4 | 5107 | 2,9x1,78 PUR90 |
| X1-5 | 20926 | Valve gasket | | | |
| X1-6 | 20924 | Vave rod | X6-1 | 19908 | Power adjuster Crown |
| X1-7 | 20923 | Valve seat | X6-2 | 2508 | Countersunk screw M3x10 |
| X1-8 | 5158 | O-ring 3,5x1 NBR70 | X6-3 | 11501 | Spring 0,5x2,5x6,1 |
| | | | X6-4 | 4066 | Steel ball 3mm |
| X2-1 | 10293 | Quick adjustment guide Impact M3 | | | |
| X2-2 | 10292 | Quick adjustment wheel Impact M3 | | | |
| X2-3 | 1147 | Spring 0,25X2,37X20 | | | |
| X2-4 | 10291 | Quick adjustment axle Impact M3 | | | |
| X2-5 | 20050 | Hammer Adjuster Dreamline/Crown | | | |
| X2-6 | 12035 | Grub screw M2,5x2,5 | | | |
| | | | | | |
| | | | | | |
| | | | | | |
| | | | | | |
| | | | | | |