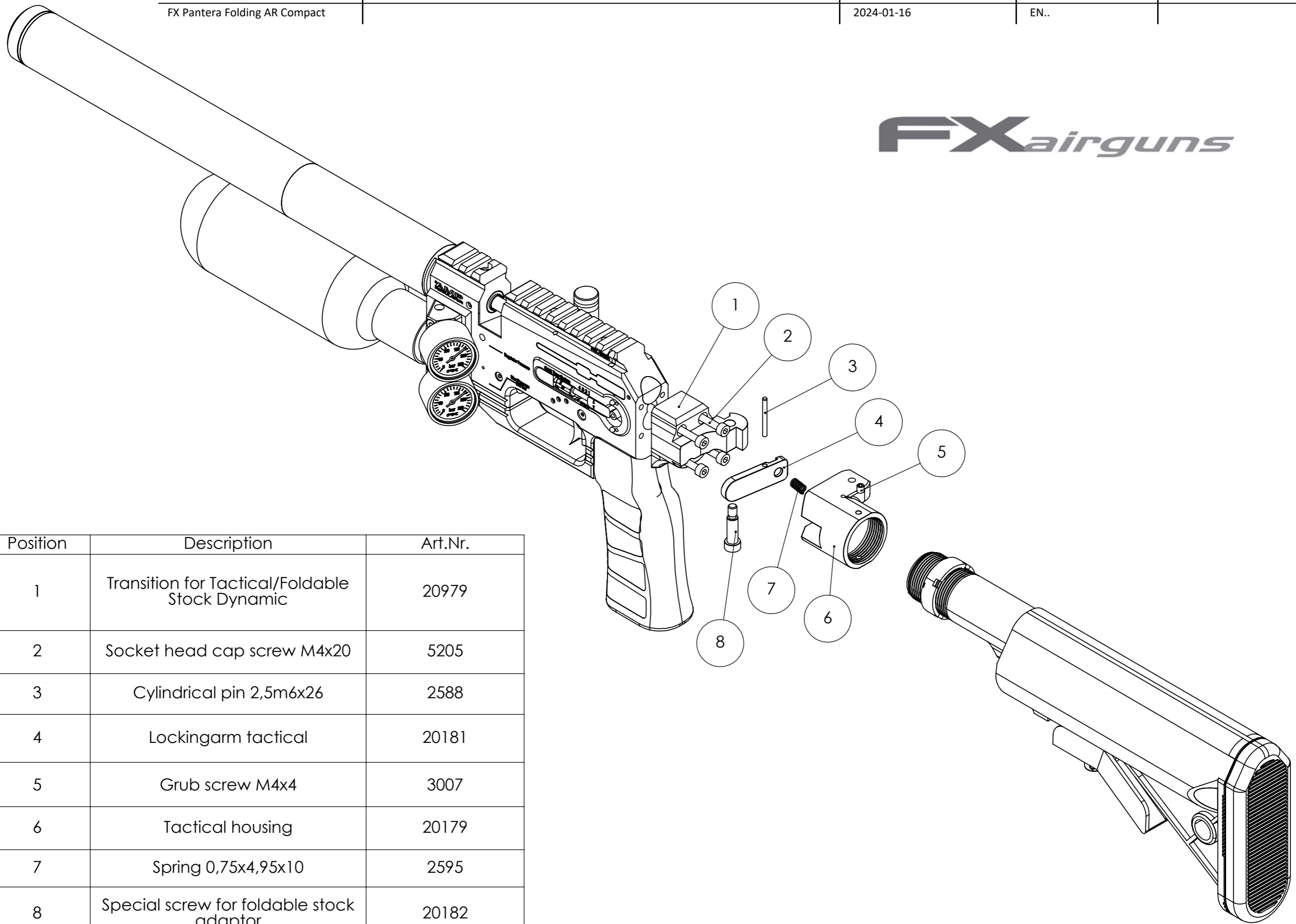


FXairguns



Position	Description	Art.Nr.
1	Transition for Tactical/Foldable Stock Dynamic	20979
2	Socket head cap screw M4x20	5205
3	Cylindrical pin 2,5m6x26	2588
4	Lockingarm tactical	20181
5	Grub screw M4x4	3007
6	Tactical housing	20179
7	Spring 0,75x4,95x10	2595
8	Special screw for foldable stock adaptor	20182