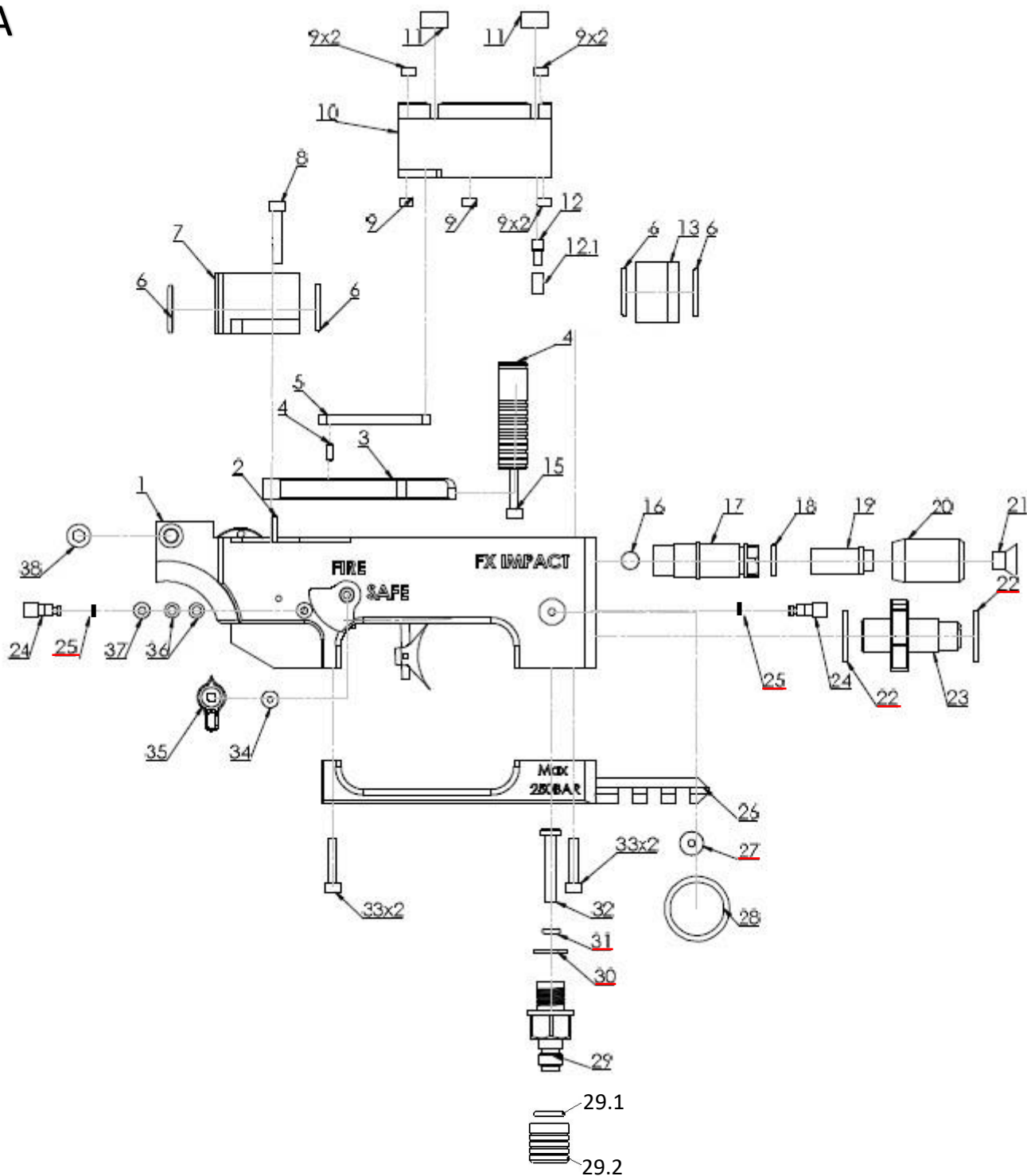


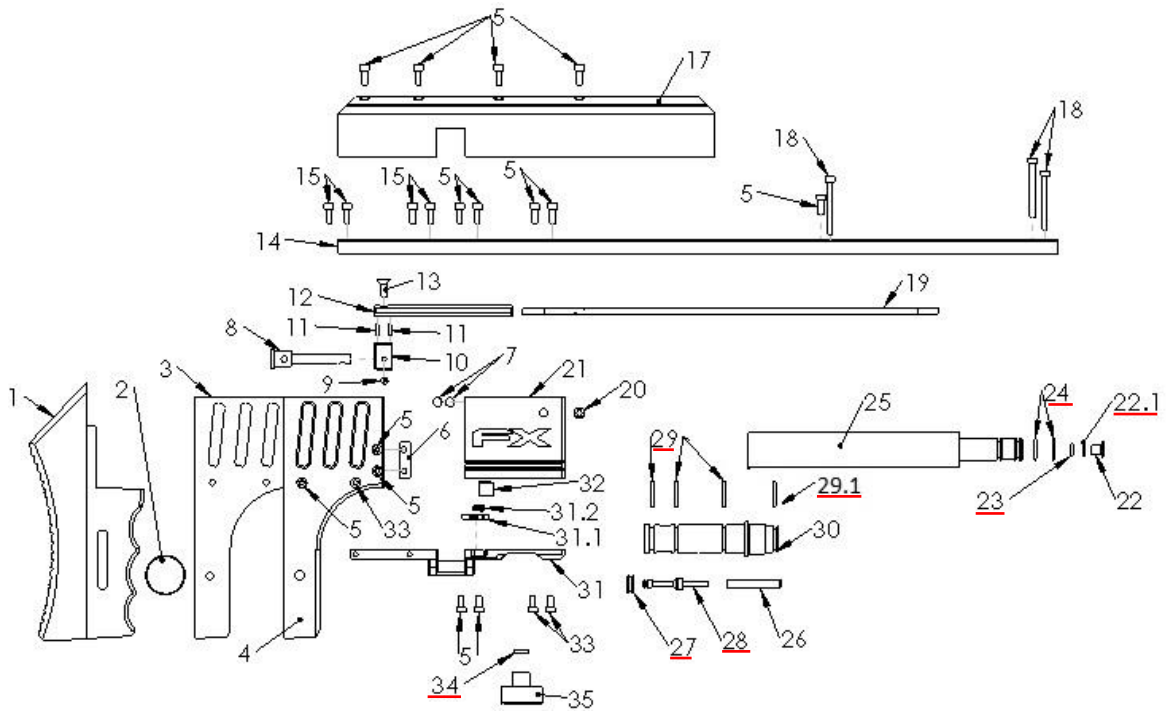
Model	Description	Article No.	Date	Revision	Revision date
FX Impact	Repair kit Impact MKI & MKII	1982	2020-01-24	EN.20.01	2024-10-29

A

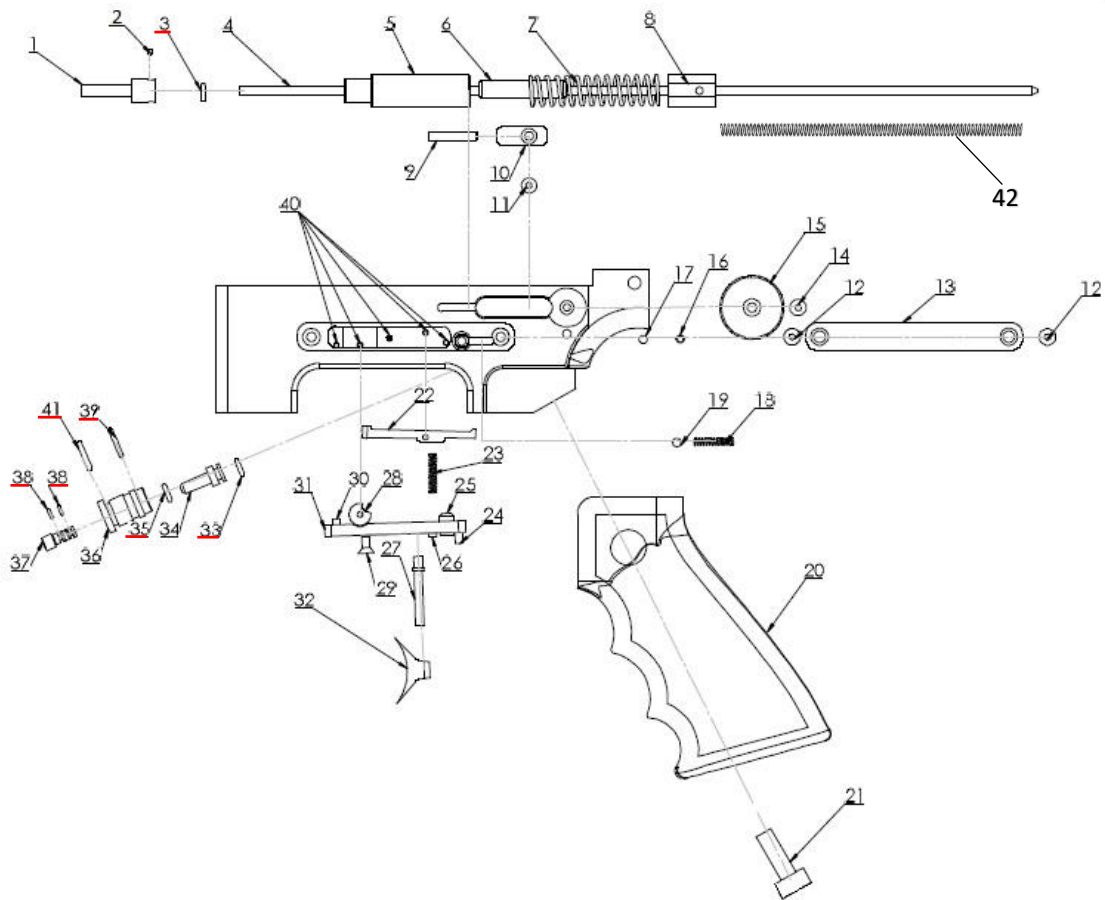


Model	Description	Article No.	Date	Revision	Revision date
FX Impact	Repair kit Impact MKI & MKII	1982	2020-01-24	EN.20.01	2024-10-29

B



C



Model	Description	Article No.	Date	Revision	Revision date
FX Impact	Repair kit Impact MKI & MKII	1982	2020-01-24	EN.20.01	2024-10-29

NO	ART. NO	DESCRIPTION						
IMPACT MkII								
A22	11507	Rubbersteel washer M12						
A22	11507	Rubbersteel washer M12						
A25	19761	O-ring 2,2x1 NBR 70						
A27	19762	X-ring 3,63x2,62 NBR 70						
A30	19720	O-ring 10x1 NBR 90						
A31	5107	O-ring 2,9x1,78 PUR 90						
B22.1	19061	O-ring 6x1 NBR90						
B23	19768	O-ring 2,84x2,62 PUR 90						
B23 Alt.	5107	O-ring 2,9 x 1,78 PUR 90						
B24	19722	O-ring 9x1,5 NBR 70						
B27	19217	Valvseat complete						
B28	7064	Valvepin complete Impact				D1 .177	2529	O-ring 4,3 x 1,5 NBR 70
B29	19677	O-ring 10,5x2 NBR 70				D1 .22	19726	O-ring 5,5 x 1,5 NBR 70
B29.1	19718	O-ring 14x1,5 NBR 70				D1 .25	2575	O-ring 6,35x1,27 nbr70
B29.1 Alt.	5054	O-ring 11,11 x 1,78 NBR 90				D1 .30	19209	O-ring 7,5x1,5 NBR 70
B34	19762	X-ring 3,63x2,62 NBR 70						
C3	5107	O-ring 2,9x1,78 PUR 90				D2	19703	O-ring 10x2 NBR70
C33	19109	O-ring 4x1,5 NBR 70				D3	19703	O-ring 10x2 NBR70 (cal. .177, .22, .25) (.30)
C35	19109	O-ring 4x1,5 NBR 70						
C38	19731	O-ring 2x1 NBR 90				D3.1	19210	O-ring 11x1,5 NBR 70 (Cal. .30 on X-barrel)
C38	19731	O-ring 2x1 NBR 90						
C39	19790	O-ring 10x1,5 NBR90						
C41	19225	O-ring 7,5x2 NBR70						
IMPACT MKI								
A18	19722	O-ring 9x1,5 NBR 70						
A22	11507	Rubbersteel washer M12						
A25	19761	O-ring 2,2x1 NBR 70						
A27	19762	X-ring 3,63x2,62 NBR 70						
A30	19720	O-ring 10x1 NBR 90						
A31	5107	O-ring 2,9x1,78 PUR 90						
B22.1	19061	O-ring 6x1 NBR90						
B23	19768	O-ring 2,84x2,62 PUR 90						
B23 Alt.	5107	O-ring 2,9 x 1,78 PUR 90						
B24	19722	O-ring 9x1,5 NBR 70				E1	5105	O-ring 9,3x2,4 NBR90
B27	19217	Valvseat complete						
B28	7064	Valvepin complete Impact						
B29	19677	O-ring 10,5x2 NBR 70						
B29.1	19718	O-ring 14x1,5 NBR 70						
B29.1 Alt.	5054	O-ring 11,11 x 1,78 NBR 90						
B34	19762	X-ring 3,63x2,62 NBR 70						
C3	5107	O-ring 2,9x1,78 PUR 90						
C33	19109	O-ring 4x1,5 NBR 70						
C35	19109	O-ring 4x1,5 NBR 70						
C38	19731	O-ring 2x1 NBR 90						
C39	19763	O-ring 9x1,5 NBR 90, <i>until serial no. 183534</i>						
C39	19790	O-ring 10x1,5 NBR90, <i>from ser.no. 183534</i>						
C41	4528	O-ring 7,66x1,78 NBR 70 <i>until ser. no. 183534</i>						
C41	19225	O-ring 7,5x2 NBR70, <i>from ser.no. 183534</i>						

Model	Description	Article No.	Date	Revision	Revision date
FX Impact	Repair kit Impact MKI & MKII	1982	2020-01-24	EN.20.01	2024-10-29