

See complete barrel schematic on support page.

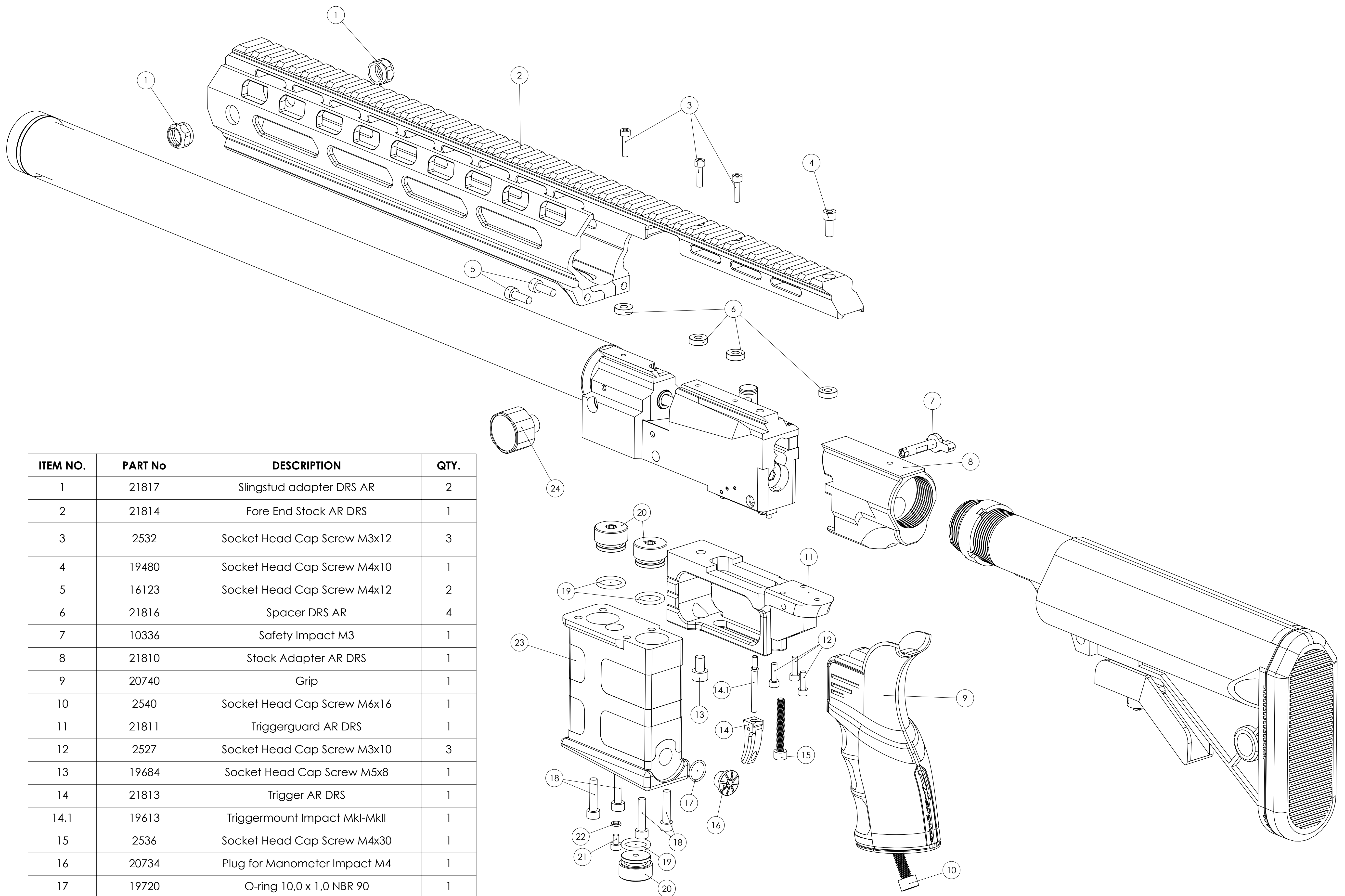
| ITEM NO. | PART No | DESCRIPTION | QTY. |
|----------|--------------|-------------------------------------|------|
| 1 | 20945 | Muzzle Thread Cover Dynamic | 1 |
| 2 | 21754 | Muzzle adaptor DRS | 1 |
| 3 | 19950 | O-ring 14,0 x 2,0 NBR 70 | 2 |
| 4 | Support page | See Schematic | 1 |
| 5 | Support page | See Schematic | 1 |
| 6 | Support page | See Schematic | 1 |
| 7 | Support page | See Schematic | 1 |
| 8 | Support page | See Schematic | 1 |
| 9 | 5189 | O-ring 10,5x1,5 NBR70 | 2 |
| 10 | 19726 | O-ring 5,5x1,5 NBR70 | 1 |
| 11 | 19485 | O-ring 23,0x2,5 NBR 70 | 2 |
| 12 | 19955 | Grub screw M8x6 | 1 |
| 13 | 2501 | Cup point grub screw M4x6 | 2 |
| 14 | 19716 | Grub screw M4x25 | 1 |
| 15 | 21734 | Dove Picatinnyrail low profil DRS | 1 |
| 15.1 | 21781 | Dove picatinnyrail high profile DRS | 1 |
| 16 | 2527 | Socket head cap screw M3x10 | 3 |
| 17 | 16100 | Magnet 3x5 | 1 |
| 18 | 19611 | Side lever handle B2-WC-IM | 1 |
| 19 | 20064 | Sidelever Dreamline | 1 |
| 20 | 11060 | Socket head cap screw M3x18 | 1 |
| 21 | 11200 | Safety knob | 1 |
| 22 | 11625 | Safety lever 27,5mm | 1 |
| 23 | 2562 | Cup point grub screw M3x3 | 1 |
| 24 | 19034 | Grub screw M3 - Special | 1 |
| 25 | 21725 | Main Block DRS | 1 |
| 26 | 21733 | Fillprobe MKill | 1 |
| 27 | 5190 | O-ring 3,0x1,5 NBR70 | 3 |
| 28 | 19213 | Cylindrical pin 2h6x10 | 1 |
| 29 .177 | 20918 | Pellet Probe .177 Dynamic | 1 |
| 29 .22 | 20919 | Pellet Probe .22 Dynamic | 1 |
| 29 .25 | 20920 | Pellet Probe .25 Dynamic | 1 |
| 30 | 16092 | Grub screw M3x4 | 4 |
| 31 | 21730 | Carrier DRS | 1 |
| 32 | 19490 | Cylindrical pin 3h6x14 | 1 |
| 33 | 19026 | Cylindrical pin 2,5m6x6 | 1 |
| 34 | 19935 | Linkage Crown | 1 |
| 35 | 19039 | Hammer v7 | 1 |
| 36 | 11540 | Hammer weight | 1 |
| 37 | 2604 | Hammerspring 52mm | 1 |
| 38 | 21801 | Hammer spring adjuster DRS | 1 |
| 39 | 11501 | Spring 0,5x2,5x6,1 | 2 |
| 40 | 4066 | Steel ball 3mm | 2 |
| 41 | 20394 | Trigger Sear Dreamline, Crown 2023 | 1 |
| 42 | 20056 | Safety Pivot Bullpip | 1 |
| 43 | 11502 | Cylindrical pin 2h6x20 | 3 |
| 44 | 19720 | O-ring 10,0x1,0 NBR90 | 1 |
| 45 | 19774 | Pressure Gauge 23mm 250bar | 1 |
| 45.1 | 19762 | X-ring 3,63x2,62 NBR 70 | 1 |
| 46 | 19329 | Inlet valve rod "gold" | 1 |
| 47 | 5209 | O-ring 3,0x1,5 NBR 90 | 1 |
| 48 | 21732 | Brass plug DRS | 1 |
| 49 | 21731 | Plug for DRS Plenum | 3 |
| 50 | 19226 | O-ring 12x2 NBR 70 | 3 |
| 51 | 21729 | Magazine Plenum DRS | 1 |
| 52 | 5185 | Countersunk screw M5x18 | 1 |
| 53 | 15008 | Straight Trigger Guard | 1 |
| 54 | 11622 | Screw coned 4,2x16mm | 1 |
| 55 | 5193 | Screw M4x18 | 4 |
| 56 | 10374 | Second stage trigger screw M5 | 1 |
| 57 | 21762 | Pellet Plenum DRS | 1 |
| 58 | 21763 | 12 fpe Plenum DRS | 1 |
| 59 | 19715-1 | Socket head cap screw M3x5 | 1 |
| 60 | 19736 | Plastic Washer 5,3x3,1x1 | 1 |
| 61 | 5166 | O-ring 8,0x1,5 NBR 70 | 1 |
| 62 | 19035 | Plug 1/8" | 1 |
| 63 | 2536 | Screw M4x30 | 4 |
| 64 | 3007 | Grub screw M4x4 | 1 |

| ITEM NO. | PartNo | DESCRIPTION | QTY. |
|----------|---------|---------------------------------|------|
| 1 | 19109 | O-ring 4x1,5 NBR 70 | 2 |
| 2 | 21070 | Regulator piston Dynamic | 1 |
| 3 | 2570 | Washer 10x4,2x0,5 | 8 |
| 4 | 19790 | O-ring 10,0 x 1,5 NBR 90 | 1 |
| 5 | 19697-1 | Regulator housing Impact/Crown | 1 |
| 6 | 19225 | O-ring 7,5x2,0 NBR 70 | 1 |
| 7 | 20400 | Plastic gasket Regulator piston | 1 |
| 8 | 19731 | O-ring 2x1 NBR 90 | 2 |
| 9 | 19695 | Regulator Screw Impact | 1 |

| ITEM NO. | PartNo | DESCRIPTION | QTY. |
|----------|--------|----------------------------------|------|
| 1 | 20033 | Triggercatch Dreamline, Standard | 1 |
| 2 | 11525 | Trigger wheel | 1 |
| 3 | 11504 | Spring 0,32x3,2x14,4 | 1 |
| 4 | 11508 | Grub screw M3x10 | 1 |
| 5 | 19809 | Trigger pin | 1 |
| 6 | 19136 | Adjustable trigger blade | 1 |
| 7 | 12035 | Grub screw M2,5x2,5 | 1 |
| 8 | 2504 | Countersunk screw M3x6 | 1 |
| 9 | 19742 | Grub screw M3x8 | 1 |
| 10 | 11015 | Adj screw second stage, soft | 1 |

| ITEM NO. | PartNo | DESCRIPTION | QTY. |
|----------|--------|---------------------------|------|
| 1 | 5158 | O-ring 3,5x1 NBR70 | 1 |
| 2 | 19108 | O-ring 7,0 x 1,0 NBR 70 | 1 |
| 3 | 20923 | Valve Seat Dynamic | 1 |
| 4 | 19790 | O-ring 10,0 x 1,5 NBR 90 | 1 |
| 5 | 20924 | Valve Pin Dynamic | 1 |
| 6 | 20926 | Valve Seal Dynamic | 1 |
| 7 | 19850 | Spring 0,5x4x20 | 1 |
| 8 | 20959 | Spring Seat 3,1mm Dynamic | 1 |
| 9 | 5107 | O-ring 2,9 x 1,78 PUR 90 | 1 |
| 10 | 21726 | Valve Housing DRS | 1 |

DRS Tactical



| ITEM NO. | PART No | DESCRIPTION | QTY. |
|----------|---------|--------------------------------------|------|
| 1 | 21817 | Slingstud adapter DRS AR | 2 |
| 2 | 21814 | Fore End Stock AR DRS | 1 |
| 3 | 2532 | Socket Head Cap Screw M3x12 | 3 |
| 4 | 19480 | Socket Head Cap Screw M4x10 | 1 |
| 5 | 16123 | Socket Head Cap Screw M4x12 | 2 |
| 6 | 21816 | Spacer DRS AR | 4 |
| 7 | 10336 | Safety Impact M3 | 1 |
| 8 | 21810 | Stock Adapter AR DRS | 1 |
| 9 | 20740 | Grip | 1 |
| 10 | 2540 | Socket Head Cap Screw M6x16 | 1 |
| 11 | 21811 | Triggerguard AR DRS | 1 |
| 12 | 2527 | Socket Head Cap Screw M3x10 | 3 |
| 13 | 19684 | Socket Head Cap Screw M5x8 | 1 |
| 14 | 21813 | Trigger AR DRS | 1 |
| 14.1 | 19613 | Triggermount Impact Mkl-Mkll | 1 |
| 15 | 2536 | Socket Head Cap Screw M4x30 | 1 |
| 16 | 20734 | Plug for Manometer Impact M4 | 1 |
| 17 | 19720 | O-ring 10,0 x 1,0 NBR 90 | 1 |
| 18 | 5193 | Socket Head Cap Screw M4x18 | 4 |
| 19 | 19226 | O-ring 12,0 x 2,0 NBR 70 | 3 |
| 20 | 21731 | Plug for DRS Plenum | 3 |
| 21 | 7984 | Socket Head Cap Screw M3x6 | 1 |
| 22 | 19736 | Plastic Washer 5,3x3,1x1 | 1 |
| 23 | 21812 | Magazine Plenum AR DRS | 1 |
| 24 | 21819 | Pressure Gauge 23mm DRS 250bar black | 1 |