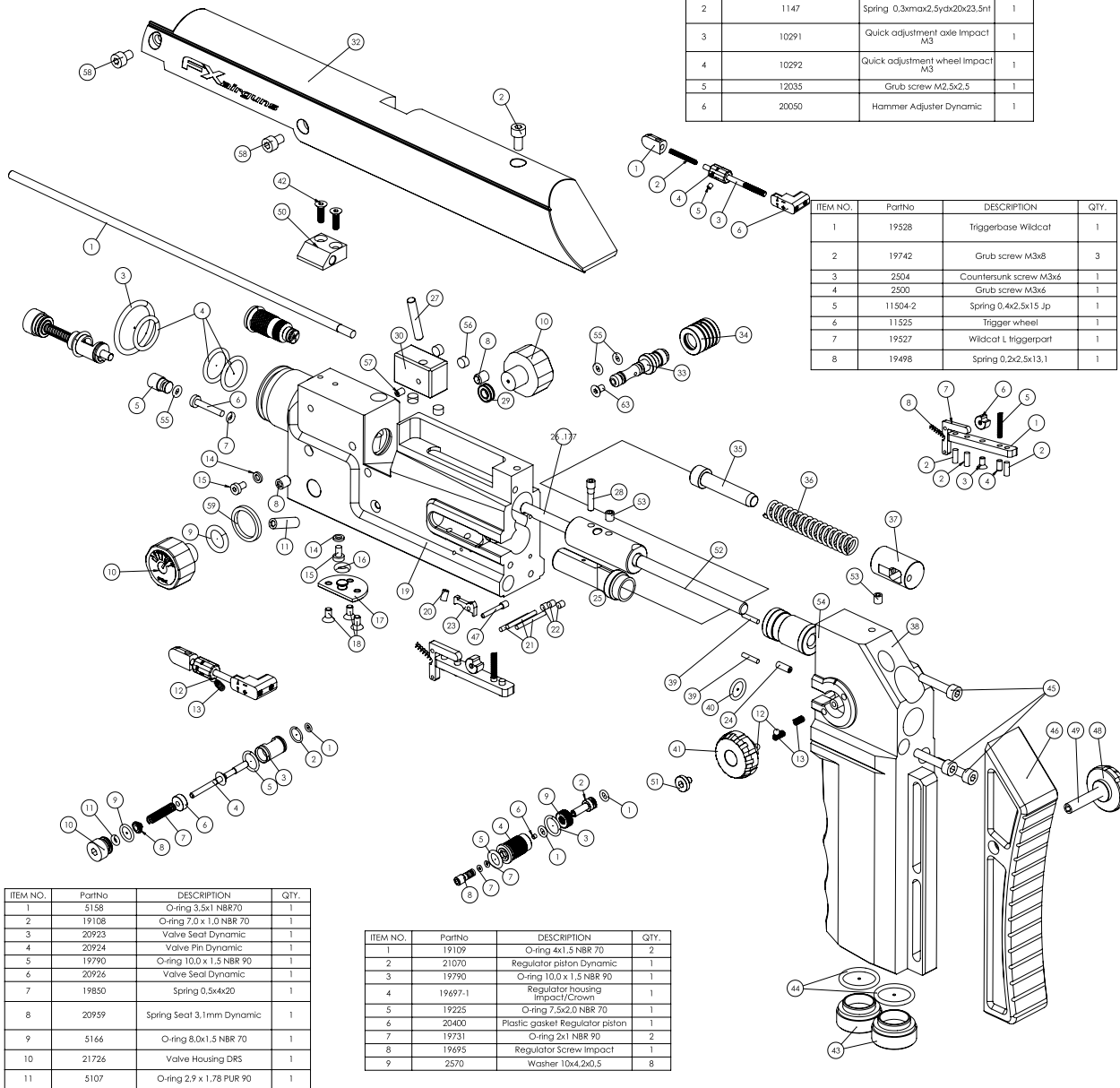


ITEM NO.	PartNo	DESCRIPTION	QTY.
1	10293	Quick adjustment guide Impact M3	1
2	1147	Spring 0.3xmax2.5ydx20x23.5n1	1
3	10291	Quick adjustment axle Impact M3	1
4	10292	Quick adjustment wheel Impact M3	1
5	12035	Grub screw M2.5x2.5	1
6	20050	Hammer Adjuster Dynamic	1

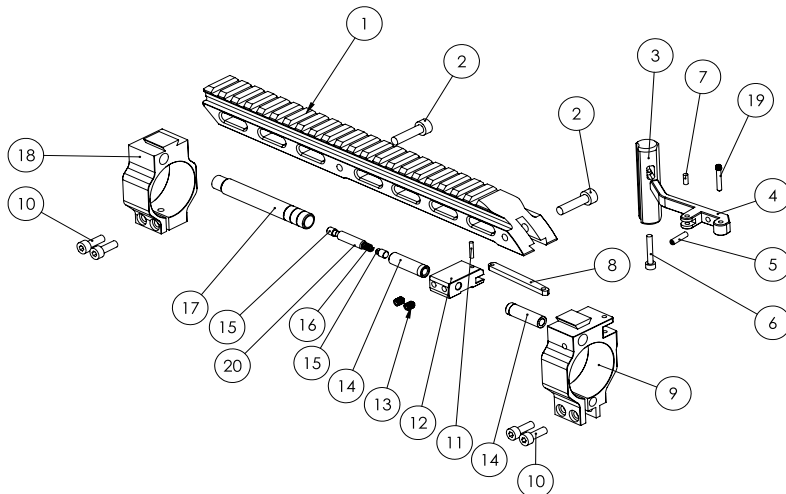
ITEM NO.	PartNo	DESCRIPTION	QTY.
1	19528	Triggerbase Wildcat	1
2	19742	Grub screw M3x8	3
3	2504	Countersunk screw M3x6	1
4	2500	Grub screw M3x6	1
5	11504-2	Spring 0.4x2.5x15 Jp	1
6	11525	Trigger wheel	1
7	19527	Wildcat L triggerpart	1
8	19498	Spring 0.2x2.5x13.1	1

ITEM NO.	PartNo	DESCRIPTION	QTY.
1	19514	Reloading Rod	1
2	15032	Socket head cap screw M4x8	1
3	19485	O-ring 23.0x2.5 NBR 70	1
4	19950	O-ring 14.0 x 2.0 NBR 70	3
5	21732	Brass plug DRS	1
6	19329	Inlet valve rod "gold"	1
7	5111	O-ring 2.5 x 1.5 NBR 90	1
8	19114	Grub screw M5x6 flat	2
9	5105	O-ring 9.3x2.4 NBR 90	1
10	19774	Pressure Gauge 23mm 250bar	2
11	2564	Cup point grub screw M5x18	1
12	4064	Steel ball 3mm	3
13	11501	Spring 0.5x2.5x6.1	3
14	19736	Plastic Washer 5.3x3.1x1	2
15	19715	Socket head cap screw M3x5	2
16	19171	O-ring 4x2 NBR 70	1
17	21715	Plug plenum channel Leopard	1
18	2504	Countersunk screw M3x6	3
19	21722	Trigger block Leopard	1
20	2561	Dog point grub screw M3x5	1
21	11502	Cylindrical pin 2h6x20	3
22	2562	Cup point grub screw M3x3	3
23	21093	Trigger Sear Dreamline, Crown 2023	1
24	19742	Grub screw M3x8	1
25	19039	Hammer V7	1
26	177	Pellet probe .177 Leopard	1
26	22	Pellet probe .22 Leopard	1
26	25	Pellet probe .25 Leopard	1
26	30	Pellet probe .30 Leopard	1
27	18039	Cylindrical pin 4h6x24	1
28	21712	Carrier screw Leopard	1
29	19762	X-ring 3.63x2.62 NBR 70	1
30	21713	Carrier Leopard	1
31	19224	Screw M8x8 Cup point grub	1
32	21697	Cheekpad Leopard	1
33	21714	Refill probe Leopard	1
34	19910	Dust Cover - Quick Connection	1
35	11540	Hammer weight	1
36	11500	Hammerspring	1
37	21673	Spring Guide Leopard	1
38	21723	Plenum Leopard	1
39	19213	Cylindrical pin 2h6x10	2
40	5142	O-ring 5.0x1.5 NBR 70	1
41	20735	Power adjuster Impact M4	1
42	2508	Countersunk screw M3x10	2
43	21717	Big plug plenum Leopard	2
44	5154	O-ring 16.0 x 2.0 NBR 90	2
45	5205	Socket head cap screw M4x20	3
46	21696	Recollpad Leopard	1
47	21691	Trigger pin screw	1
48	20733	Adjustment screw recollpad Impact M4	1
49	19679	Grub screw M5x30	1
50	21694	Guide reloading rod	1
51	21068	Power adjuster screw	1
52	5251	CPK 6 h6 x70	1
53	3007	Grub screw M4x4	2
54	21672	Bushing pellet probe	1
55	5190	O-ring 3.0 x 1.5 NBR 70	3
56	19652	Puck 5.0	4
57	16092	Grub screw M3x4	1
58	5230	Screw M4x6	2
59	20619	Brass Washer Ø18xØ11.4 8+2.1	1
63	19214	Countersunk screw M3x5	1



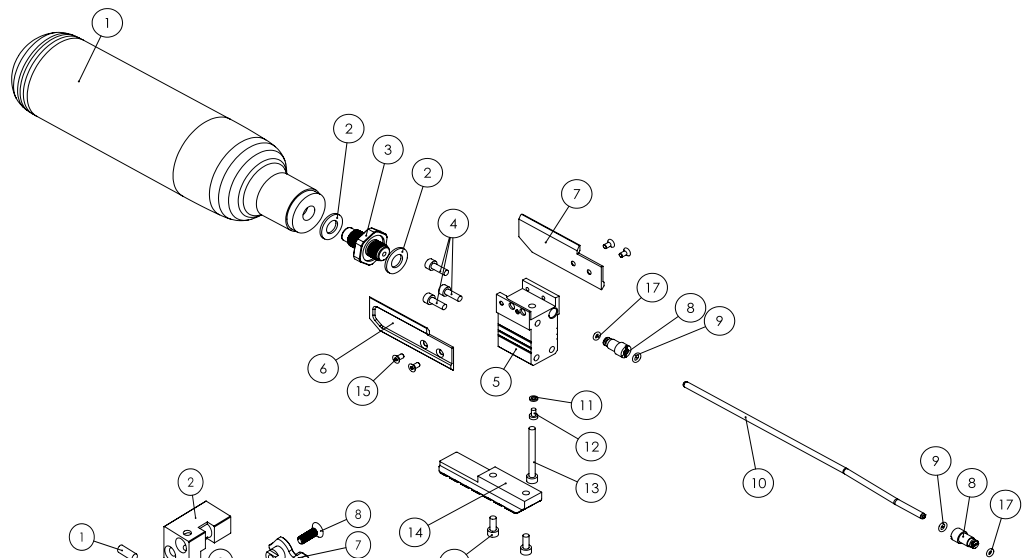
ITEM NO.	PartNo	DESCRIPTION	QTY.
1	5158	O-ring 3.5x1 NBR70	1
2	19108	O-ring 7.0 x 1.0 NBR 70	1
3	20923	Valve Seat Dynamic	1
4	20924	Valve Pin Dynamic	1
5	19790	O-ring 10.0 x 1.5 NBR 90	1
6	20926	Valve Seal Dynamic	1
7	19850	Spring 0.5x4x20	1
8	20959	Spring Seat 3.1mm Dynamic	1
9	5166	O-ring 8.0x1.5 NBR 70	1
10	21726	Valve Housing DRS	1
11	5107	O-ring 2.9 x 1.78 PUR 90	1

ITEM NO.	PartNo	DESCRIPTION	QTY.
1	19109	O-ring 4x1.5 NBR 70	2
2	21070	Regulator piston Dynamic	1
3	19790	O-ring 10.0 x 1.5 NBR 90	1
4	19697-1	Regulator housing Impact/Crown	1
5	19225	O-ring 7.5x2.0 NBR 70	1
6	20400	Plastic gasket Regulator piston	1
7	19731	O-ring 2x1 NBR 90	2
8	19695	Regulator Screw Impact	1
9	2570	Washer 10x4.2x0.5	8

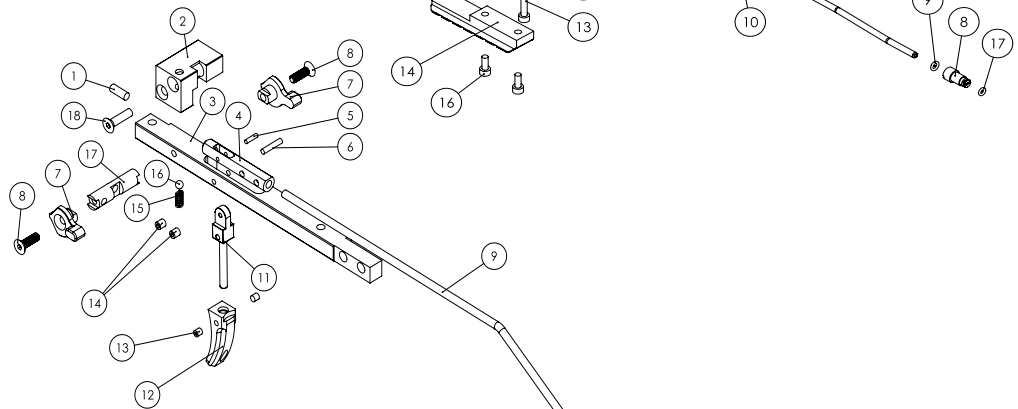


ITEM NO.	PartNo	DESCRIPTION	QTY.
1	21720	Rail Picatinny Leopard	1
2	4509	Socket head cap screw M5x20	2
3	21671	Side lever handle Leopard	1
4	20398	Sidelever Maverick, Wildcat MkIII, Crown, Streamline	1
5	19481	Cup point grub screw M3x12	1
6	11060	Socket head cap screw M3x18	1
7	19026	Cylindrical pin 2.5m6x6	1
8	21685	Side lever linkage	1
9	21709	Rear barrel support Leopard	1
10	16123	Screw M4x12	4
11	19213	Cylindrical pin 2h6x10	1
12	21708	Slide mount Leopard	1
13	5199	Grub screw M4x6	2
14	19540	Long reloading rod bushing	2
15	19586	Spring aligner	2
16	21680	Spring 0.5x3x23	1
17	21693	Reloading rod guide	1
18	21710	Front barrel support Leopard	1
19	19034	screw M3 Grub - Special	1
20	2564	Cup point grub screw M5x18	1

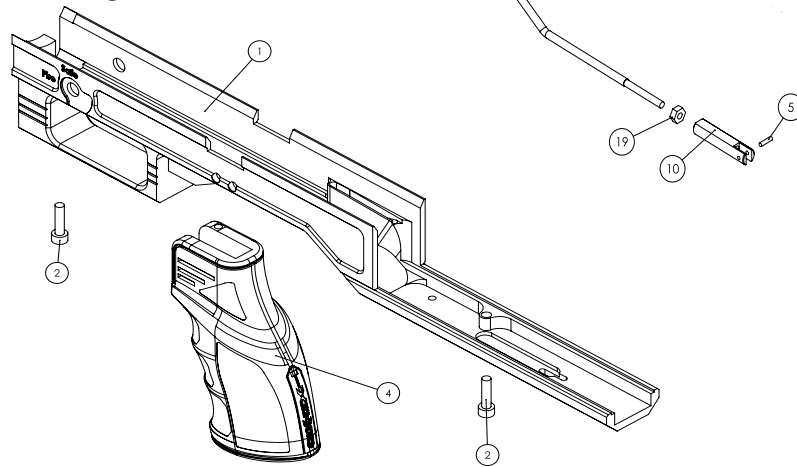
ITEM NO.	PartNo	DESCRIPTION	QTY.
1		See Schematic "Bottle"	1
2	11507	Rubber/Steel Washer	2
3	20983	Air Cylinder Connector Dynamic	1
4	16123	Screw M4x12	3
5	21721	Bottle adapter Leopard	1
6	21684	Bottle adapter plate left Leopard	1
7	21683	Bottle adapter plate right Leopard	1
8	21718	Air Cylinder Connector Leopard	2
9	5138	O-ring 4.0 x 1.5 NBR 90	2
10	21674	Tube for bottle Leopard	1
11	19736	Plastic Washer 5,3x3,1x1	1
12	19715	Socket head cap screw M3x5	1
13	5217	Socket head cap screw M4x40	1
14	21702	Bottle version picalfinny	1
15	2504	Countersunk screw M3x6	4
16	19480	Socket head cap screw M4x10	2
17	5190	O-ring 3.0 x 1.5 NBR 70	2



ITEM NO.	PartNo	DESCRIPTION	QTY.
1	19742	Grub screw M3x8	1
2	21705	Safety block Leopard	1
3	21724	Trigger plate Leopard	1
4	21707	Trigger connector	1
5	19585	Cylindrical pin 1,5m6x6	2
6	19213	Cylindrical pin 2h6x10	1
7	21703	Safety Leopard	2
8	2508	Countersunk screw M3x10	2
9	21706	Trigger pin Leopard	1
10	19574	Metal clevis M3 Wildcat	1
11	19506	Trigger mount	1
12	21813	Trigger AR DR5	1
13	12035	Grub screw M2,5x2,5	2
14	2562	Cup point grub screw M3x3	2
15	11501	Spring 0,5x2,5x6,1	1
16	4066	Steel ball 3mm	1
17	21704	Safety pin Leopard	1
18	5171	Screw M3x12 Countersunk	1
19	19482	Nut M3	1



ITEM NO.	PartNo	DESCRIPTION	QTY.
1	21719	Stock Leopard	1
2	5201	Socket head cap screw M4x16	2
3	19743	screw M6x20 Socket head cap	1
4	21670	Grip	1



ITEM NO.	PartNo	DESCRIPTION	QTY.
1	21701	Support block Leopard	1
2	20905	Frontstock Compact Dynamic	1
3	20942	Fore End Top Accessory Mount Dynamic	1
4	13039	screw M3x8 Countersunk	8
5	5208	Screw M4x6 Countersunk	2
6	5225	screw M4x12 Countersunk	4
7	19480	Socket head cap screw M4x10	4
8	5201	Socket head cap screw M4x16	1
9	5217	Socket head cap screw M4x40	1
10	4535	Socket head cap screw M5x14	2
11	21700	Barricade stop Leopard	1

